

Bevel helical geared motors



	Orientation
4/2	Overview
4/4	Modular system
	General technical data
4/5	Permissible radial force
	Geared motors up to 200 kW
4/6	Selection and ordering data
	Transmission ratios and maximum torques
4/60	Selection and ordering data
	Mounting types
4/80	Selection and ordering data
	Shaft designs
4/83	Selection and ordering data
	Flange-mounted designs
4/86	Selection and ordering data
	Mounting types and mounting positions
4/87	Selection and ordering data
	Special versions
4/92	Lubricants
4/93	Oil level control
4/93	Gearbox ventilation
4/94	Oil drain
4/94	Sealing
4/95	Hollow shaft cover (protection cover)
4/95	Reinforced output shaft bearings
4/96	2nd output shaft extension
4/96	Bevel helical gearbox with backstop
4/97	Mixer flange in dry-well design
	Dimensions
4/98	Dimension drawing overview
4/102	Dimension drawings

MOTOX Geared Motors

Bevel helical geared motors

Orientation

Overview



MOTOX bevel helical gearboxes are part of the MOTOX modular system. With helical, parallel shaft, helical worm, or variable speed gearboxes and three-phase AC motors with or without brakes, this system covers all possible drive combinations, right up to electronic variable speed drives.

MOTOX bevel helical gearboxes are designed for continuous duty. The gearbox housings made of gray cast iron or aluminium are developed in 3D CAD and have an optimized structure in terms of rigidity and vibration absorption. Radial shaft seals with dust-protection lips prevent oil from leaking out of the housing and dust and water from entering it. The gear wheels of the helical gear stages are milled and their surfaces hardened. The tooth flanks are ground or honed so that they are convex and corrected in terms of the profile. For the standard range, the bevel gear stage is milled, its surface is hardened, and it is lapped in pairs. Optimum running smoothness is also achieved thanks to the helical gears' helical teeth. Positioning the bevel gear stage as the second stage means that less noise is emitted. The output shaft is positioned at a right angle to the input shaft.

Overview (continued)

Bevel helical gearboxes are designated as follows:

Gearbox type:

(-) Bevel helical gearbox

B 2-stage

K 3-stage

Transmission stage (-) Unspecified

Type:

Shaft (-) Solid shaft

A Hollow shaft

Mounting (-) Foot-mounted design

F Flange-mounted design (A-type)

Z Housing flange (C-type)

D Torque arm

G Flange (A-type) on opposite side to output shaft

M Agitator / mixer flange

E Extruder flange

Connections (-) Feather key

S Shrink disk

T Hollow shaft with splined shaft

Special features **W** Reduced-backlash version

Backstop **X** Backstop in intermediate stage

Type of intermediate gearbox

(-) Helical gearbox

Transmission stage **Z** 2-stage

D 3-stage

Input unit

K2 Coupling lantern with flexible coupling for connecting an IEC motor

K2TC Coupling lantern with flexible coupling for connecting a NEMA motor ¹⁾

K4 Short coupling lantern with clamp connection for connecting an IEC motor

K5 Short coupling lantern with clamp connection for connecting a NEMA motor ¹⁾

KQ Lantern for servomotor with feather key and with zero-backlash flexible coupling for connecting a servomotor

KQS Lantern for servomotor without feather key and with zero-backlash flexible coupling for connecting a servomotor

A Input unit with free input shaft

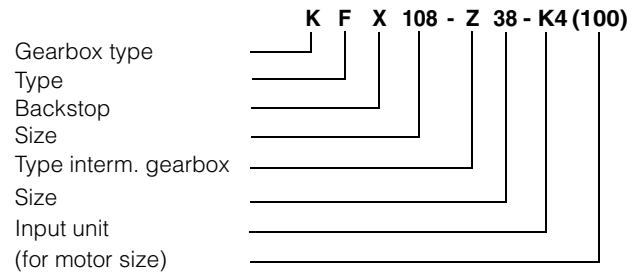
A5 Input unit with free input shaft (NEMA design) ¹⁾

P Input unit with free input shaft and piggy back for connecting an IEC motor

P5 Input unit with free input shaft and piggy back for connecting a NEMA motor ¹⁾

PS Input unit with free input shaft and piggy back with protection cover

Example:



The series currently comprises 10 gearbox sizes.

Type K bevel helical gearboxes are available in a 3-stage version, type B in a 2-stage version.

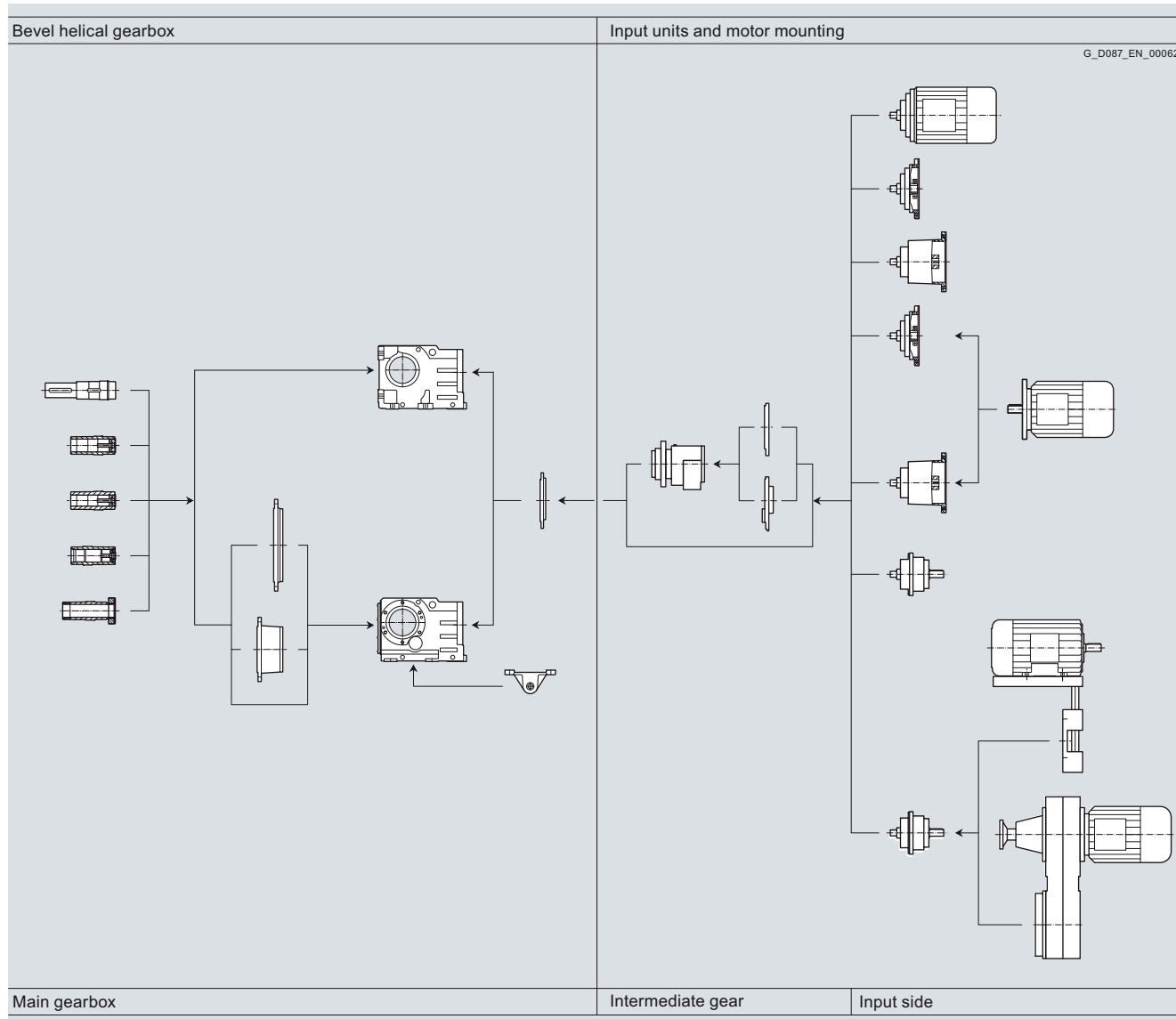
¹⁾ These designs can be selected from our MOTOX Configurator electronic catalog.

MOTOX Geared Motors

Bevel helical geared motors

General technical data

Modular system



Use

The MOTOX bevel helical gearbox series can be supplied in foot-mounted or flange-mounted design for mounting in any position.

The gearboxes are available in a solid-shaft or hollow-shaft design with a feather key connection, shrink disk connection, or splined shaft.

Oil quantities

The oil quantities corresponding to the applicable mounting positions are specified in the operating instructions and on the rating plate.

Permissible radial force F_{Rperm}

3-stage bevel helical gearbox – standard bearing arrangement

Gearbox type	d mm	l mm	y mm	z mm	a kNmm	Direction of rotation when viewing the output shaft	F_{Rperm} in N with $x = l/2$ for output speeds n_2 in rpm									
							≤ 16	≤ 25	≤ 40	≤ 63	≤ 100	≤ 160	≤ 250	≤ 320	≤ 400	
BF28	20	40	138	118	63.4	Left	–	3 170	3 170	3 170	3 170	3 120	2 870	2 520	2 430	
						Right	–	3 170	3 170	3 170	3 170	3 120	2 770	2 260		
BF38	30	60	173	143	193.0	Left	–	6 446	6 060	4 840	3 960	3 820	3 570	3 430	3 240	
						Right	–	6 446	6 446	5 690	4 730	4 350	3 860	3 670	3 430	
KF38	25	50	146	121	153.0	Left	5 530	5 400	4 320	3 810	3 210	2 640	2 160	2 080	–	
						Right	5 820	5 700	4 610	4 060	3 420	2 820	2 330	2 250	–	
KF48	30	60	176	146	255.0	Left	8 280	7 660	6 120	4 990	3 850	3 490	3 420	–	–	
						Right	8 500	8 090	6 560	5 430	4 280	3 900	3 630	–	–	
KF68	40	80	213	173	440.0	Left	9 490	7 590	6 130	4 430	3 550	2 970	3 470	–	–	
						Right	10 050	8 140	6 690	4 990	4 110	3 490	3 720	–	–	
KF88	50	100	262	212	845.0	Left	13 740	10 910	9 010	6 300	5 550	4 840	5 560	5 210	–	
						Right	14 810	11 980	10 080	7 370	6 520	5 710	5 950	5 570	–	
KF108	60	120	298	238	1 350	Left	16 210	12 070	8 990	6 470	5 730	5 310	5 450	–	–	
						Right	18 170	14 030	10 850	8 290	7 370	6 730	6 260	–	–	
KF128	70	140	372	302	2 247	Left	24 380	19 170	14 150	10 790	6 550	6 160	7 250	–	–	
						Right	26 540	21 330	16 320	12 960	8 680	8 200	8 310	–	–	
KF148	90	170	434	349	2 873	Left	19 620	13 920	9 150	3 620	1 240	840	6 360	5 700	–	
						Right	22 310	16 620	11 840	6 310	3 800	3 080	7 370	6 630	–	
KF168	110	210	518	413	5 891	Left	31 190	21 030	16 060	7 200	6 020	5 300	10 160	–	–	
						Right	34 350	24 180	19 220	10 350	8 810	7 880	11 530	–	–	
KF188	120	210	598	493	8 159	Left	77 700	77 700	77 700	77 700	77 240	70 580	–	–	–	
						Right	77 700	77 700	77 700	77 700	77 700	73 960	–	–	–	

3-stage bevel helical gearbox – reinforced bearing arrangement

Gearbox type	d mm	l mm	y mm	z mm	a kNmm	Direction of rotation when viewing the output shaft	F_{Rperm} in N with $x = l/2$ for output speeds n_2 in rpm							
							≤ 16	≤ 25	≤ 40	≤ 63	≤ 100	≤ 160	≤ 250	≤ 320
KF68	40	80	213	173	555	Left	13 870	13 870	13 870	13 870	13 870	12 690	11 510	–
						Right	13 870	13 870	13 870	13 870	13 870	13 240	11 780	–
KF88	50	100	262	212	1 182	Left	23 630	23 630	23 630	23 630	23 000	20 590	18 910	17 880
						Right	23 630	23 630	23 630	23 630	23 630	21 400	19 320	18 270
KF108	60	120	298	238	1 743	Left	29 050	29 050	29 050	29 050	28 280	25 080	23 640	–
						Right	29 050	29 050	29 050	29 050	29 050	26 010	24 500	–
KF128	70	140	372	302	2 893	Left	41 330	41 330	41 330	41 330	41 330	39 430	36 540	–
						Right	41 330	41 330	41 330	41 330	41 330	40 660	37 680	–
KF148	90	170	434	349	4 225	Left	49 710	49 710	49 710	49 710	42 240	37 130	38 240	35 110
						Right	49 710	49 710	49 710	49 710	44 970	39 520	39 320	36 100
KF168	110	210	518	413	8 059	Left	76 750	76 750	76 750	76 750	70 560	65 140	59 690	–
						Right	76 750	76 750	76 750	76 750	73 550	67 890	61 160	–
KF188	120	210	598	493	8 159	Left	77 700	77 700	77 700	77 700	77 240	70 580	–	–
						Right	77 700	77 700	77 700	77 700	77 700	73 960	–	–

The values in the table apply to the worst-case scenario. The output shaft bearing arrangement can be calculated using our MOTOX Configurator electronic catalog. See Chapter 1 of the configuring guide for more information on calculating the permissible radial force.

MOTOX Geared Motors

Bevel helical geared motors

Geared motors up to 200 kW

Selection and ordering data

The selection tables show the most common variants and combinations. Other combinations can be selected using our MOTOX Configurator or made available on request

At an identical power rating and output speed, priority is given in the selection tables to 4-pole geared motors.

At the available transmission ratios, they cover the majority of output speeds.

Due to their prevalence, 4-pole geared motors are easily available, with short delivery times and at a low cost. They also feature a favorable size / power ratio.

Power rating P_{Motor} kW (50 Hz)	Output speed n_2 (50 Hz) rpm	Output torque T_2 Nm	Service factor f_B	Gearbox ratio i_{tot}	Order No.	Order code (No. of poles)	Weight *) kg	
0.09	K.48-LA71M8							
	3.7	231	1.9	169.53	★ 2KJ1503 - ■CE13 - ■■J2	P02	25	
	K.38-LA71M8							
	3.5	244	1.0	179.13	★ 2KJ1502 - ■CE13 - ■■L2	P02	21	
	4.0	217	1.2	159.04	2KJ1502 - ■CE13 - ■■K2	P02	21	
	4.5	190	1.3	139.43	★ 2KJ1502 - ■CE13 - ■■J2	P02	21	
	K.38-LA71B6							
	5.0	172	1.5	179.13	★ 2KJ1502 - ■CB13 - ■■L2	P01	21	
	5.6	153	1.6	159.04	2KJ1502 - ■CB13 - ■■K2	P01	21	
	6.4	134	1.9	139.43	★ 2KJ1502 - ■CB13 - ■■J2	P01	21	
	7.2	120	2.1	124.78	2KJ1502 - ■CB13 - ■■H2	P01	21	
	0.12	K.188-D68-LA71B4						
		0.05	15 541	1.3	27 817	2KJ1542 - ■CB13 - ■■M1		749
		0.05	16 836	1.2	30 135	★ 2KJ1542 - ■CB13 - ■■N1		749
		0.06	12 269	1.6	21 961	2KJ1542 - ■CB13 - ■■K1		749
		0.06	13 513	1.5	24 187	★ 2KJ1542 - ■CB13 - ■■L1		749
0.07		11 203	1.8	20 052	★ 2KJ1542 - ■CB13 - ■■J1		749	
0.08		10 279	1.9	18 398	2KJ1542 - ■CB13 - ■■H1		749	
K.168-D48-LA71B4								
0.05		14 947	0.90	26 754	2KJ1538 - ■CB13 - ■■G1		487	
0.05		16 493	0.82	29 521	★ 2KJ1538 - ■CB13 - ■■H1		487	
0.06		13 194	1.0	23 617	★ 2KJ1538 - ■CB13 - ■■F1		487	
0.07		10 795	1.3	19 323	★ 2KJ1538 - ■CB13 - ■■D1		487	
0.07		11 902	1.1	21 304	2KJ1538 - ■CB13 - ■■E1		487	
0.08		9 835	1.4	17 605	2KJ1538 - ■CB13 - ■■C1		487	
0.09		8 996	1.5	16 102	★ 2KJ1538 - ■CB13 - ■■B1		487	
0.10		8 043	1.7	14 397	2KJ1538 - ■CB13 - ■■A1		487	
K.168-Z48-LA71B4								
0.10		8 431	1.6	14 767	2KJ1537 - ■CB13 - ■■A2		486	
0.11		7 461	1.8	13 068	★ 2KJ1537 - ■CB13 - ■■X1		486	
0.12		6 783	2.0	11 880	2KJ1537 - ■CB13 - ■■W1		486	
K.148-D38-LA71B4								
0.08		9 970	0.80	17 845	2KJ1535 - ■CB13 - ■■D1		296	
0.09		9 039	0.89	16 180	2KJ1535 - ■CB13 - ■■C1		296	
0.10		8 225	0.97	14 722	2KJ1535 - ■CB13 - ■■B1		296	
0.11		7 272	1.1	13 017	2KJ1535 - ■CB13 - ■■A1		296	
K.148-Z38-LA71B4								
0.10		7 711	1.0	13 505	2KJ1534 - ■CB13 - ■■W1		296	

★ Preferred transmission ratio

Shaft designs, see page 4/83

Frequency and voltage, see page 8/20

Gearbox housing mounting position, see page 4/87

*) For mounting type B3

1, 2, 3, 5, 6 or 9

1 to 9

A, D, E, F, H or M

MOTOX Geared Motors

Bevel helical geared motors

Geared motors up to 200 kW

Selection and ordering data (continued)

Power rating P_{Motor} kW (50 Hz)	Output speed n_2 (50 Hz) rpm	Output torque T_2 Nm	Service factor f_B	Gearbox ratio i_{tot}	Order No.	Order code (No. of poles)	Weight *) kg
0.12							
K.148-Z38-LA71B4							
0.12		6 857	1.2	12 009	2KJ1534 - ■CB13 - ■■V1		296
0.13		5 948	1.3	10 418	2KJ1534 - ■CB13 - ■■U1		296
0.14		5 558	1.4	9 734	2KJ1534 - ■CB13 - ■■T1		296
0.16		4 888	1.6	8 561	2KJ1534 - ■CB13 - ■■S1		296
0.19		4 281	1.9	7 498	2KJ1534 - ■CB13 - ■■R1		296
K.128-Z38-LA71B4							
0.14		5 740	0.82	10 054	★ 2KJ1531 - ■CB13 - ■■U1		201
0.15		5 364	0.88	9 394	2KJ1531 - ■CB13 - ■■T1		201
0.17		4 717	1.0	8 262	★ 2KJ1531 - ■CB13 - ■■S1		201
0.19		4 131	1.1	7 236	2KJ1531 - ■CB13 - ■■R1		201
0.22		3 654	1.3	6 400	★ 2KJ1531 - ■CB13 - ■■Q1		201
0.24		3 312	1.4	5 800	2KJ1531 - ■CB13 - ■■P1		201
0.27		2 923	1.6	5 120	★ 2KJ1531 - ■CB13 - ■■N1		201
0.30		2 637	1.8	4 619	2KJ1531 - ■CB13 - ■■M1		201
0.33		2 392	2.0	4 189	★ 2KJ1531 - ■CB13 - ■■L1		201
K.108-Z38-LA71B4							
0.23		3 445	0.87	6 033	2KJ1527 - ■CB13 - ■■P1		134
0.26		3 041	0.99	5 326	2KJ1527 - ■CB13 - ■■N1		134
0.29		2 743	1.1	4 804	2KJ1527 - ■CB13 - ■■M1		134
0.32		2 488	1.2	4 357	2KJ1527 - ■CB13 - ■■L1		134
0.35		2 267	1.3	3 970	2KJ1527 - ■CB13 - ■■K1		134
0.39		2 073	1.4	3 631	2KJ1527 - ■CB13 - ■■J1		134
0.43		1 854	1.6	3 247	2KJ1527 - ■CB13 - ■■H1		134
0.47		1 702	1.8	2 981	2KJ1527 - ■CB13 - ■■G1		134
0.52		1 534	2.0	2 687	2KJ1527 - ■CB13 - ■■F1		134
K.88-Z28-LA71B4							
0.40		1 990	0.83	3 485	★ 2KJ1523 - ■CB13 - ■■X1		76
0.45		1 780	0.93	3 118	2KJ1523 - ■CB13 - ■■W1		76
0.51		1 580	1.0	2 768	★ 2KJ1523 - ■CB13 - ■■V1		76
0.58		1 385	1.2	2 426	2KJ1523 - ■CB13 - ■■U1		76
0.66		1 218	1.4	2 133	★ 2KJ1523 - ■CB13 - ■■T1		76
0.73		1 100	1.5	1 926	2KJ1523 - ■CB13 - ■■S1		76
0.83		959	1.7	1 679	★ 2KJ1523 - ■CB13 - ■■R1		76
0.93		861	1.9	1 508	2KJ1523 - ■CB13 - ■■Q1		76
K.68-Z28-LA71B4							
0.81		982	0.83	1 720	★ 2KJ1518 - ■CB13 - ■■T1		47
0.90		887	0.92	1 554	2KJ1518 - ■CB13 - ■■S1		47
1.0		773	1.1	1 354	★ 2KJ1518 - ■CB13 - ■■R1		47
1.2		694	1.2	1 216	2KJ1518 - ■CB13 - ■■Q1		47
1.3		627	1.3	1 098	★ 2KJ1518 - ■CB13 - ■■P1		47
1.4		569	1.4	996	2KJ1518 - ■CB13 - ■■N1		47
1.5		517	1.6	906	★ 2KJ1518 - ■CB13 - ■■M1		47
1.7		457	1.8	801	2KJ1518 - ■CB13 - ■■L1		47

★ Preferred transmission ratio

Shaft designs, see page 4/83

Frequency and voltage, see page 8/20

Gearbox housing mounting position, see page 4/87

*) For mounting type B3

1, 2, 3, 5, 6 or 9

1 to 9

A, D, E, F, H or M

MOTOX Geared Motors

Bevel helical geared motors

Geared motors up to 200 kW

Selection and ordering data (continued)

Power rating P_{Motor} kW (50 Hz)	Output speed n_2 (50 Hz) rpm	Output torque T_2 Nm	Service factor f_B	Gearbox ratio i_{tot}	Order No.	Order code (No. of poles)	Weight ^{*)} kg
0.12	K.68-Z28-LA71B4						
	1.9	423	1.9	740	★ 2KJ1518 - ■CB13 - ■■K1		47
	K.68-LA71MB8						
	2.6	433	1.9	243.72	2KJ1504 - ■CF13 - ■■N2	P02	44
	K.48-Z28-LA71B4						
	1.6	505	0.89	885	★ 2KJ1516 - ■CB13 - ■■R1		28
	1.8	454	0.99	795	2KJ1516 - ■CB13 - ■■Q1		28
	2.0	409	1.1	717	★ 2KJ1516 - ■CB13 - ■■P1		28
	2.2	372	1.2	651	2KJ1516 - ■CB13 - ■■N1		28
	2.4	338	1.3	592	★ 2KJ1516 - ■CB13 - ■■M1		28
	2.7	299	1.5	523	2KJ1516 - ■CB13 - ■■L1		28
	2.9	276	1.6	483	★ 2KJ1516 - ■CB13 - ■■K1		28
	3.4	238	1.9	416	2KJ1516 - ■CB13 - ■■J1		28
	K.48-LA71MB8						
	3.8	301	1.5	169.53	★ 2KJ1503 - ■CF13 - ■■J2	P02	25
	4.3	268	1.7	150.76	2KJ1503 - ■CF13 - ■■H2	P02	25
	K.48-LA71C6						
	5.1	226	2.0	169.53	★ 2KJ1503 - ■CC13 - ■■J2	P01	25
	K.38-Z28-LA71B4						
	2.7	299	0.84	523	2KJ1514 - ■CB13 - ■■L1		24
	2.9	276	0.91	483	★ 2KJ1514 - ■CB13 - ■■K1		24
	K.38-LA71MB8						
	4.1	283	0.88	159.04	2KJ1502 - ■CF13 - ■■K2	P02	21
	4.6	248	1.0	139.43	★ 2KJ1502 - ■CF13 - ■■J2	P02	21
	K.38-LA71C6						
	4.8	239	1.0	179.13	★ 2KJ1502 - ■CC13 - ■■L2	P01	21
	5.4	212	1.2	159.04	2KJ1502 - ■CC13 - ■■K2	P01	21
	6.2	186	1.3	139.43	★ 2KJ1502 - ■CC13 - ■■J2	P01	21
	6.9	166	1.5	124.78	2KJ1502 - ■CC13 - ■■H2	P01	21
	K.38-LA71B4						
	7.8	147	1.7	179.13	★ 2KJ1502 - ■CB13 - ■■L2		21
	8.8	130	1.9	159.04	2KJ1502 - ■CB13 - ■■K2		21
	10.0	114	2.2	139.43	★ 2KJ1502 - ■CB13 - ■■J2		21
B.38-LA71MB8							
9.8	117	2.1	65.69	2KJ1501 - ■CF13 - ■■U2	P02	23	
B.28-LA71B4							
24	47	2.8	57.53	2KJ1500 - ■CB13 - ■■D2		11	
29	40	3.3	48.51	2KJ1500 - ■CB13 - ■■C2		11	
32	35	3.7	43.07	2KJ1500 - ■CB13 - ■■B2		11	
37	31	4.2	37.76	2KJ1500 - ■CB13 - ■■A2		11	
41	28	4.7	33.79	2KJ1500 - ■CB13 - ■■X1		11	
47	24	5.3	29.99	2KJ1500 - ■CB13 - ■■W1		11	
53	22	6.0	26.28	2KJ1500 - ■CB13 - ■■V1		11	

★ Preferred transmission ratio

Shaft designs, see page 4/83

1, 2, 3, 5, 6 or 9

Frequency and voltage, see page 8/20

1 to 9

Gearbox housing mounting position, see page 4/87

A, D, E, F, H or M

*) For mounting type B3

MOTOX Geared Motors

Bevel helical geared motors

Geared motors up to 200 kW

Selection and ordering data (continued)

Power rating P_{Motor} kW (50 Hz)	Output speed n_2 (50 Hz) rpm	Output torque T_2 Nm	Service factor f_B	Gearbox ratio i_{tot}	Order No.	Order code (No. of poles)	Weight ^{*)} kg
0.12							
B.28-LA71B4							
	61	19	6.9	23.11	2KJ1500 - ■CB13 - ■■7U1		11
	67	17	7.6	20.87	2KJ1500 - ■CB13 - ■■T1		11
	77	15	8.7	18.19	2KJ1500 - ■CB13 - ■■S1		11
	86	13	9.7	16.34	2KJ1500 - ■CB13 - ■■R1		11
	95	12	10.8	14.75	2KJ1500 - ■CB13 - ■■Q1		11
	105	11	11.9	13.38	2KJ1500 - ■CB13 - ■■P1		11
	115	10	13.0	12.17	2KJ1500 - ■CB13 - ■■N1		11
	130	8.8	14.8	10.76	2KJ1500 - ■CB13 - ■■M1		11
	187	6.1	14.7	7.49	2KJ1500 - ■CB13 - ■■H1		11
0.18							
K.188-D68-LA71C4							
	0.06	20 896	0.96	21 961	2KJ1542 - ■CC13 - ■■K1		749
	0.06	23 014	0.87	24 187	★ 2KJ1542 - ■CC13 - ■■L1		749
	0.07	17 506	1.1	18 398	2KJ1542 - ■CC13 - ■■H1		749
	0.07	19 080	1.0	20 052	★ 2KJ1542 - ■CC13 - ■■J1		749
	0.08	16 129	1.2	16 951	★ 2KJ1542 - ■CC13 - ■■G1		749
	0.09	14 648	1.4	15 394	2KJ1542 - ■CC13 - ■■F1		749
	0.10	13 344	1.5	14 024	★ 2KJ1542 - ■CC13 - ■■E1		749
	0.11	12 224	1.6	12 847	2KJ1542 - ■CC13 - ■■D1		749
	0.12	10 907	1.8	11 463	★ 2KJ1542 - ■CC13 - ■■C1		749
K.168-D48-LA71C4							
	0.08	15 321	0.88	16 102	★ 2KJ1538 - ■CC13 - ■■B1		487
	0.08	16 751	0.81	17 605	2KJ1538 - ■CC13 - ■■C1		487
	0.10	13 699	0.99	14 397	2KJ1538 - ■CC13 - ■■A1		487
K.168-Z48-LA71C4							
	0.09	14 360	0.94	14 767	2KJ1537 - ■CC13 - ■■A2		486
	0.10	12 708	1.1	13 068	★ 2KJ1537 - ■CC13 - ■■X1		486
	0.12	11 552	1.2	11 880	2KJ1537 - ■CC13 - ■■W1		486
	0.13	10 379	1.3	10 673	★ 2KJ1537 - ■CC13 - ■■V1		486
	0.15	8 896	1.5	9 148	2KJ1537 - ■CC13 - ■■U1		486
	0.17	8 049	1.7	8 277	★ 2KJ1537 - ■CC13 - ■■T1		486
	0.18	7 429	1.8	7 640	2KJ1537 - ■CC13 - ■■S1		486
K.148-Z38-LA71C4							
	0.14	9 466	0.85	9 734	2KJ1534 - ■CC13 - ■■T1		296
	0.16	8 325	0.96	8 561	2KJ1534 - ■CC13 - ■■S1		296
	0.18	7 291	1.1	7 498	2KJ1534 - ■CC13 - ■■R1		296
	0.21	6 449	1.2	6 632	2KJ1534 - ■CC13 - ■■Q1		296
	0.23	5 844	1.4	6 010	2KJ1534 - ■CC13 - ■■P1		296
	0.26	5 159	1.6	5 305	2KJ1534 - ■CC13 - ■■N1		296
	0.29	4 654	1.7	4 786	2KJ1534 - ■CC13 - ■■M1		296
	0.32	4 221	1.9	4 341	2KJ1534 - ■CC13 - ■■L1		296
K.128-Z38-LA71C4							
	0.24	5 640	0.83	5 800	2KJ1531 - ■CC13 - ■■P1		201
	0.27	4 979	0.94	5 120	★ 2KJ1531 - ■CC13 - ■■N1		201

★ Preferred transmission ratio

Shaft designs, see page 4/83

Frequency and voltage, see page 8/20

Gearbox housing mounting position, see page 4/87

*) For mounting type B3

1, 2, 3, 5, 6 or 9

1 to 9

A, D, E, F, H or M

MOTOX Geared Motors

Bevel helical geared motors

Geared motors up to 200 kW

Selection and ordering data (continued)

Power rating P_{Motor} kW (50 Hz)	Output speed n_2 (50 Hz) rpm	Output torque T_2 Nm	Service factor f_B	Gearbox ratio i_{tot}	Order No.	Order code (No. of poles)	Weight *) kg
0.18	K.128-Z38-LA71C4						
	0.30	4 492	1.0	4 619	2KJ1531 - ■ CC13 - ■■ M1		201
	0.33	4 073	1.2	4 189	★ 2KJ1531 - ■ CC13 - ■■ L1		201
	0.36	3 712	1.3	3 817	2KJ1531 - ■ CC13 - ■■ K1		201
	0.39	3 395	1.4	3 491	★ 2KJ1531 - ■ CC13 - ■■ J1		201
	0.44	3 035	1.5	3 121	2KJ1531 - ■ CC13 - ■■ H1		201
	0.48	2 787	1.7	2 866	★ 2KJ1531 - ■ CC13 - ■■ G1		201
	0.53	2 512	1.9	2 583	2KJ1531 - ■ CC13 - ■■ F1		201
	K.108-Z38-LA71C4						
	0.38	3 531	0.85	3 631	2KJ1527 - ■ CC13 - ■■ J1		134
0.42	3 157	0.95	3 247	2KJ1527 - ■ CC13 - ■■ H1		134	
0.46	2 899	1.0	2 981	2KJ1527 - ■ CC13 - ■■ G1		134	
0.51	2 613	1.1	2 687	2KJ1527 - ■ CC13 - ■■ F1		134	
0.59	2 247	1.3	2 311	2KJ1527 - ■ CC13 - ■■ E1		134	
0.66	2 003	1.5	2 060	2KJ1527 - ■ CC13 - ■■ D1		134	
0.72	1 840	1.6	1 892	2KJ1527 - ■ CC13 - ■■ C1		134	
0.8	1 658	1.8	1 705	2KJ1527 - ■ CC13 - ■■ B1		134	
K.88-Z28-LA71C4							
0.64	2 074	0.80	2 133	★ 2KJ1523 - ■ CC13 - ■■ T1		76	
0.71	1 873	0.88	1 926	2KJ1523 - ■ CC13 - ■■ S1		76	
0.82	1 633	1.0	1 679	★ 2KJ1523 - ■ CC13 - ■■ R1		76	
0.91	1 466	1.1	1 508	2KJ1523 - ■ CC13 - ■■ Q1		76	
1.0	1 323	1.2	1 361	★ 2KJ1523 - ■ CC13 - ■■ P1		76	
1.1	1 200	1.4	1 234	2KJ1523 - ■ CC13 - ■■ N1		76	
1.2	1 092	1.5	1 123	★ 2KJ1523 - ■ CC13 - ■■ M1		76	
1.4	966	1.7	993	2KJ1523 - ■ CC13 - ■■ L1		76	
1.5	892	1.9	917	★ 2KJ1523 - ■ CC13 - ■■ K1		76	
K.88-LA80S8							
2.2	771	2.0	302.68	★ 2KJ1505 - ■ DB13 - ■■ M2	P02	78	
K.68-Z28-LA71C4							
1.4	969	0.85	996	2KJ1518 - ■ CC13 - ■■ N1		47	
1.5	881	0.93	906	★ 2KJ1518 - ■ CC13 - ■■ M1		47	
1.7	779	1.1	801	2KJ1518 - ■ CC13 - ■■ L1		47	
1.9	720	1.1	740	★ 2KJ1518 - ■ CC13 - ■■ K1		47	
2.2	619	1.3	637	2KJ1518 - ■ CC13 - ■■ J1		47	
2.4	563	1.5	579	★ 2KJ1518 - ■ CC13 - ■■ H1		47	
K.68-LA80S8							
2.8	621	1.3	243.72	2KJ1504 - ■ DB13 - ■■ N2	P02	48	
3.1	549	1.5	215.68	★ 2KJ1504 - ■ DB13 - ■■ M2	P02	48	
K.68-LA71S6							
3.5	493	1.7	243.72	2KJ1504 - ■ CD13 - ■■ N2	P01	44	
3.9	436	1.9	215.68	★ 2KJ1504 - ■ CD13 - ■■ M2	P01	44	
K.48-Z28-LA71C4							
2.6	509	0.88	523	2KJ1516 - ■ CC13 - ■■ L1		28	

★ Preferred transmission ratio

Shaft designs, see page 4/83

Frequency and voltage, see page 8/20

Gearbox housing mounting position, see page 4/87

*) For mounting type B3

1, 2, 3, 5, 6 or 9

1 to 9

A, D, E, F, H or M

MOTOX Geared Motors

Bevel helical geared motors

Geared motors up to 200 kW

Selection and ordering data (continued)

Power rating P_{Motor} kW (50 Hz)	Output speed n_2 (50 Hz) rpm	Output torque T_2 Nm	Service factor f_B	Gearbox ratio i_{tot}	Order No.	Order code (No. of poles)	Weight ^{*)} kg
0.18	K.48-Z28-LA71C4						
	2.8	470	0.96	483	★ 2KJ1516 - CC13 - K1		28
	3.3	405	1.1	416	2KJ1516 - CC13 - J1		28
	K.48-LA80S8						
	4.0	432	1.0	169.53	★ 2KJ1503 - DB13 - J2	P02	29
	4.5	384	1.2	150.76	2KJ1503 - DB13 - H2	P02	29
	K.48-LA71S6						
	5.0	343	1.3	169.53	★ 2KJ1503 - CD13 - J2	P01	25
	5.6	305	1.5	150.76	2KJ1503 - CD13 - H2	P01	25
	6.5	264	1.7	130.78	★ 2KJ1503 - CD13 - G2	P01	25
	7.0	247	1.8	122.19	2KJ1503 - CD13 - F2	P01	25
	K.48-LA71C4						
	8.1	213	2.1	169.53	★ 2KJ1503 - CC13 - J2		25
	K.38-LA71S6						
	6.1	282	0.89	139.43	★ 2KJ1502 - CD13 - J2	P01	21
	6.8	252	0.99	124.78	2KJ1502 - CD13 - H2	P01	21
	K.38-LA71C4						
	7.6	225	1.1	179.13	★ 2KJ1502 - CC13 - L2		21
	8.6	200	1.3	159.04	2KJ1502 - CC13 - K2		21
	9.8	175	1.4	139.43	★ 2KJ1502 - CC13 - J2		21
	11.0	157	1.6	124.78	2KJ1502 - CC13 - H2		21
	12.4	139	1.8	110.75	★ 2KJ1502 - CC13 - G2		21
	14.1	122	2.1	97.05	2KJ1502 - CC13 - F2		21
	16.1	107	2.3	85.33	★ 2KJ1502 - CC13 - E2		21
	B.38-LA80S8						
	11.8	145	1.7	57.04	2KJ1501 - DB13 - T2	P02	27
	B.38-LA71S6						
	12.9	133	1.9	65.69	2KJ1501 - CD13 - U2	P01	23
	14.9	115	2.2	57.04	2KJ1501 - CD13 - T2	P01	23
	B.28-LA71C4						
	24	72	1.8	57.53	2KJ1500 - CC13 - D2		11
	28	61	2.1	48.51	2KJ1500 - CC13 - C2		11
32	54	2.4	43.07	2KJ1500 - CC13 - B2		11	
36	47	2.7	37.76	2KJ1500 - CC13 - A2		11	
40	42	3.1	33.79	2KJ1500 - CC13 - X1		11	
46	38	3.5	29.99	2KJ1500 - CC13 - W1		11	
52	33	3.9	26.28	2KJ1500 - CC13 - V1		11	
59	29	4.5	23.11	2KJ1500 - CC13 - U1		11	
66	26	5.0	20.87	2KJ1500 - CC13 - T1		11	
75	23	5.7	18.19	2KJ1500 - CC13 - S1		11	
84	20	6.3	16.34	2KJ1500 - CC13 - R1		11	
93	18	7.0	14.75	2KJ1500 - CC13 - Q1		11	
102	17	7.7	13.38	2KJ1500 - CC13 - P1		11	

★ Preferred transmission ratio

Shaft designs, see page 4/83

Frequency and voltage, see page 8/20

Gearbox housing mounting position, see page 4/87

*) For mounting type B3

1, 2, 3, 5, 6 or 9

1 to 9

A, D, E, F, H or M

MOTOX Geared Motors

Bevel helical geared motors

Geared motors up to 200 kW

Selection and ordering data (continued)

Power rating P_{Motor} kW (50 Hz)	Output speed n_2 (50 Hz) rpm	Output torque T_2 Nm	Service factor f_B	Gearbox ratio i_{tot}	Order No.	Order code (No. of poles)	Weight ^{*)} kg
0.18							
B.28-LA71C4							
113		15	8.5	12.17	2KJ1500 - CC13 - N1		11
127		14	9.6	10.76	2KJ1500 - CC13 - M1		11
138		12	10.3	9.94	2KJ1500 - CC13 - L1		11
160		11	11.3	8.56	2KJ1500 - CC13 - K1		11
176		9.8	12.0	7.78	2KJ1500 - CC13 - J1		11
183		9.4	9.6	7.49	2KJ1500 - CC13 - H1		11
203		8.5	10.6	6.76	2KJ1500 - CC13 - G1		11
223		7.7	11.7	6.13	2KJ1500 - CC13 - F1		11
246		7.0	12.9	5.58	2KJ1500 - CC13 - E1		11
277		6.2	14.5	4.94	2KJ1500 - CC13 - D1		11
0.25							
K.188-D68-LA71S4							
0.08		24 007	0.83	16 951	★ 2KJ1542 - CD13 - G1		749
0.09		21 801	0.92	15 394	2KJ1542 - CD13 - F1		749
0.10		18 194	1.1	12 847	2KJ1542 - CD13 - D1		749
0.10		19 861	1.0	14 024	★ 2KJ1542 - CD13 - E1		749
0.12		16 234	1.2	11 463	★ 2KJ1542 - CD13 - C1		749
K.188-Z68-LA71S4							
0.15		13 317	1.5	9 201	★ 2KJ1541 - CD13 - X1		747
0.17		11 647	1.7	8 047	2KJ1541 - CD13 - W1		747
0.19		10 456	1.9	7 224	★ 2KJ1541 - CD13 - V1		747
K.168-Z48-LA71S4							
0.13		15 448	0.87	10 673	★ 2KJ1537 - CD13 - V1		486
0.15		13 240	1.0	9 148	2KJ1537 - CD13 - U1		486
0.16		11 980	1.1	8 277	★ 2KJ1537 - CD13 - T1		486
0.18		11 058	1.2	7 640	2KJ1537 - CD13 - S1		486
0.20		9 615	1.4	6 643	★ 2KJ1537 - CD13 - R1		486
0.22		8 730	1.5	6 032	2KJ1537 - CD13 - Q1		486
0.24		7 971	1.7	5 507	★ 2KJ1537 - CD13 - P1		486
0.27		7 313	1.8	5 053	2KJ1537 - CD13 - N1		486
0.29		6 739	2.0	4 656	★ 2KJ1537 - CD13 - M1		486
K.148-Z38-LA71S4							
0.20		9 599	0.83	6 632	2KJ1534 - CD13 - Q1		296
0.22		8 699	0.92	6 010	2KJ1534 - CD13 - P1		296
0.25		7 678	1.0	5 305	2KJ1534 - CD13 - N1		296
0.28		6 927	1.2	4 786	2KJ1534 - CD13 - M1		296
0.31		6 283	1.3	4 341	2KJ1534 - CD13 - L1		296
0.34		5 724	1.4	3 955	2KJ1534 - CD13 - K1		296
0.37		5 235	1.5	3 617	2KJ1534 - CD13 - J1		296
0.42		4 681	1.7	3 234	2KJ1534 - CD13 - H1		296
0.46		4 299	1.9	2 970	2KJ1534 - CD13 - G1		296
K.128-Z38-LA71S4							
0.35		5 525	0.85	3 817	2KJ1531 - CD13 - K1		201
0.39		5 053	0.93	3 491	★ 2KJ1531 - CD13 - J1		201

★ Preferred transmission ratio

Shaft designs, see page 4/83

Frequency and voltage, see page 8/20

Gearbox housing mounting position, see page 4/87

^{*)} For mounting type B3

1, 2, 3, 5, 6 or 9

1 to 9

A, D, E, F, H or M

MOTOX Geared Motors

Bevel helical geared motors

Geared motors up to 200 kW

Selection and ordering data (continued)

Power rating P_{Motor} kW (50 Hz)	Output speed n_2 (50 Hz) rpm	Output torque T_2 Nm	Service factor f_B	Gearbox ratio i_{tot}	Order No.	Order code (No. of poles)	Weight ^{*)} kg
0.25	K.128-Z38-LA71S4						
	0.43	4 517	1.0	3 121	2KJ1531 - ■CD13 - ■■H1		201
	0.47	4 148	1.1	2 866	★ 2KJ1531 - ■CD13 - ■■G1		201
	0.52	3 739	1.3	2 583	2KJ1531 - ■CD13 - ■■F1		201
	0.61	3 215	1.5	2 221	★ 2KJ1531 - ■CD13 - ■■E1		201
	0.68	2 867	1.6	1 981	2KJ1531 - ■CD13 - ■■D1		201
	0.74	2 633	1.8	1 819	★ 2KJ1531 - ■CD13 - ■■C1		201
	0.82	2 372	2.0	1 639	2KJ1531 - ■CD13 - ■■B1		201
	K.108-Z38-LA71S4						
	0.58	3 345	0.90	2 311	2KJ1527 - ■CD13 - ■■E1		134
	0.66	2 982	1.0	2 060	2KJ1527 - ■CD13 - ■■D1		134
	0.71	2 738	1.1	1 892	2KJ1527 - ■CD13 - ■■C1		134
	0.79	2 468	1.2	1 705	2KJ1527 - ■CD13 - ■■B1		134
	0.92	2 122	1.4	1 466	2KJ1527 - ■CD13 - ■■A1		134
	K.108-Z48-LA71S4						
	1.0	1 944	1.5	1 343	★ 2KJ1530 - ■CD13 - ■■P1		143
	1.1	1 785	1.7	1 233	2KJ1530 - ■CD13 - ■■N1		143
	1.2	1 644	1.8	1 136	★ 2KJ1530 - ■CD13 - ■■M1		143
	1.3	1 492	2.0	1 031	2KJ1530 - ■CD13 - ■■L1		143
	K.88-Z28-LA71S4						
	0.99	1 970	0.84	1 361	★ 2KJ1523 - ■CD13 - ■■P1		76
	1.1	1 786	0.92	1 234	2KJ1523 - ■CD13 - ■■N1		76
	1.2	1 625	1.0	1 123	★ 2KJ1523 - ■CD13 - ■■M1		76
	1.4	1 437	1.1	993	2KJ1523 - ■CD13 - ■■L1		76
	1.5	1 327	1.2	917	★ 2KJ1523 - ■CD13 - ■■K1		76
	1.7	1 142	1.4	789	2KJ1523 - ■CD13 - ■■J1		76
	1.9	1 039	1.6	718	★ 2KJ1523 - ■CD13 - ■■H1		76
	2.1	944	1.7	652	★ 2KJ1523 - ■CD13 - ■■G1		76
K.88-LA80M8							
2.3	1 055	1.5	302.68	★ 2KJ1505 - ■DC13 - ■■M2	P02	78	
2.5	951	1.7	272.95	2KJ1505 - ■DC13 - ■■L2	P02	78	
K.88-LA71M6							
2.8	840	1.8	302.68	★ 2KJ1505 - ■CE13 - ■■M2	P01	74	
K.68-Z28-LA71S4							
2.1	922	0.89	637	2KJ1518 - ■CD13 - ■■J1		47	
2.3	838	0.98	579	★ 2KJ1518 - ■CD13 - ■■H1		47	
K.68-LA80M8							
2.8	849	0.97	243.72	2KJ1504 - ■DC13 - ■■N2	P02	48	
3.2	752	1.1	215.68	★ 2KJ1504 - ■DC13 - ■■M2	P02	48	
K.68-LA71M6							
3.5	677	1.2	243.72	2KJ1504 - ■CE13 - ■■N2	P01	44	
4.0	599	1.4	215.68	★ 2KJ1504 - ■CE13 - ■■M2	P01	44	
4.4	544	1.5	196.07	2KJ1504 - ■CE13 - ■■L2	P01	44	

★ Preferred transmission ratio

Shaft designs, see page 4/83

Frequency and voltage, see page 8/20

Gearbox housing mounting position, see page 4/87

*) For mounting type B3

1, 2, 3, 5, 6 or 9

1 to 9

A, D, E, F, H or M

MOTOX Geared Motors

Bevel helical geared motors

Geared motors up to 200 kW

Selection and ordering data (continued)

Power rating P_{Motor} kW (50 Hz)	Output speed n_2 (50 Hz) rpm	Output torque T_2 Nm	Service factor f_B	Gearbox ratio i_{tot}	Order No.	Order code (No. of poles)	Weight ^{*)} kg
0.25	K.68-LA71M6						
	4.9	489	1.7	176.14	★ 2KJ1504 - ■CE13 - ■■K2	P01	44
	K.68-LA71S4						
	5.5	431	1.9	243.72	2KJ1504 - ■CD13 - ■■N2		44
	6.3	381	2.1	215.68	★ 2KJ1504 - ■CD13 - ■■M2		44
	K.48-LA80M8						
	4.5	525	0.86	150.76	2KJ1503 - ■DC13 - ■■H2	P02	29
	K.48-LA71M6						
	5.1	471	0.96	169.53	★ 2KJ1503 - ■CE13 - ■■J2	P01	25
	5.7	419	1.1	150.76	2KJ1503 - ■CE13 - ■■H2	P01	25
	6.6	363	1.2	130.78	★ 2KJ1503 - ■CE13 - ■■G2	P01	25
	7.0	339	1.3	122.19	2KJ1503 - ■CE13 - ■■F2	P01	25
	K.48-LA71S4						
	8.0	300	1.5	169.53	★ 2KJ1503 - ■CD13 - ■■J2		25
	9.0	267	1.7	150.76	2KJ1503 - ■CD13 - ■■H2		25
	10.3	231	1.9	130.78	★ 2KJ1503 - ■CD13 - ■■G2		25
	11.0	216	2.1	122.19	2KJ1503 - ■CD13 - ■■F2		25
	K.38-LA71S4						
	8.5	281	0.89	159.04	2KJ1502 - ■CD13 - ■■K2		21
	9.7	247	1.0	139.43	★ 2KJ1502 - ■CD13 - ■■J2		21
	10.8	221	1.1	124.78	2KJ1502 - ■CD13 - ■■H2		21
	12.2	196	1.3	110.75	★ 2KJ1502 - ■CD13 - ■■G2		21
	13.9	172	1.5	97.05	2KJ1502 - ■CD13 - ■■F2		21
	15.8	151	1.7	85.33	★ 2KJ1502 - ■CD13 - ■■E2		21
	17.5	136	1.8	77.09	2KJ1502 - ■CD13 - ■■D2		21
	20	119	2.1	67.18	★ 2KJ1502 - ■CD13 - ■■C2		21
	22	107	2.3	60.33	2KJ1502 - ■CD13 - ■■B2		21
B.38-LA80M8							
12	199	1.3	57.04	2KJ1501 - ■DC13 - ■■T2	P02	27	
B.38-LA71M6							
13.1	182	1.4	65.69	2KJ1501 - ■CE13 - ■■U2	P01	23	
15.1	158	1.6	57.04	2KJ1501 - ■CE13 - ■■T2	P01	23	
17.0	141	1.8	50.72	2KJ1501 - ■CE13 - ■■S2	P01	23	
19.5	122	2.0	44	2KJ1501 - ■CE13 - ■■R2	P01	23	
B.38-LA71S4							
21	116	2.2	65.69	2KJ1501 - ■CD13 - ■■U2		23	
B.28-LA71S4							
24	102	1.3	57.53	2KJ1500 - ■CD13 - ■■D2		11	
28	86	1.5	48.51	2KJ1500 - ■CD13 - ■■C2		11	
31	76	1.7	43.07	2KJ1500 - ■CD13 - ■■B2		11	
36	67	1.9	37.76	2KJ1500 - ■CD13 - ■■A2		11	
40	60	2.2	33.79	2KJ1500 - ■CD13 - ■■X1		11	
45	53	2.5	29.99	2KJ1500 - ■CD13 - ■■W1		11	

★ Preferred transmission ratio

Shaft designs, see page 4/83

Frequency and voltage, see page 8/20

Gearbox housing mounting position, see page 4/87

^{*)} For mounting type B3

1, 2, 3, 5, 6 or 9

1 to 9

A, D, E, F, H or M

MOTOX Geared Motors

Bevel helical geared motors

Geared motors up to 200 kW

Selection and ordering data (continued)

Power rating P_{Motor} kW (50 Hz)	Output speed n_2 (50 Hz) rpm	Output torque T_2 Nm	Service factor f_B	Gearbox ratio i_{tot}	Order No.	Order code (No. of poles)	Weight ^{*)} kg
0.25	B.28-LA71S4						
	51	46	2.8	26.28	2KJ1500 - ■CD13 - ■■V1		11
	58	41	3.2	23.11	2KJ1500 - ■CD13 - ■■U1		11
	65	37	3.5	20.87	2KJ1500 - ■CD13 - ■■T1		11
	74	32	4.0	18.19	2KJ1500 - ■CD13 - ■■S1		11
	83	29	4.5	16.34	2KJ1500 - ■CD13 - ■■R1		11
	92	26	5.0	14.75	2KJ1500 - ■CD13 - ■■Q1		11
	101	24	5.5	13.38	2KJ1500 - ■CD13 - ■■P1		11
	111	22	6.0	12.17	2KJ1500 - ■CD13 - ■■N1		11
	125	19	6.8	10.76	2KJ1500 - ■CD13 - ■■M1		11
	136	18	7.3	9.94	2KJ1500 - ■CD13 - ■■L1		11
	158	15	8.0	8.56	2KJ1500 - ■CD13 - ■■K1		11
	174	14	8.5	7.78	2KJ1500 - ■CD13 - ■■J1		11
	180	13	6.8	7.49	2KJ1500 - ■CD13 - ■■H1		11
	200	12	7.5	6.76	2KJ1500 - ■CD13 - ■■G1		11
	220	11	8.3	6.13	2KJ1500 - ■CD13 - ■■F1		11
	242	9.9	9.1	5.58	2KJ1500 - ■CD13 - ■■E1		11
	273	8.7	10.3	4.94	2KJ1500 - ■CD13 - ■■D1		11
	296	8.1	10.8	4.56	2KJ1500 - ■CD13 - ■■C1		11
344	6.9	11.8	3.92	2KJ1500 - ■CD13 - ■■B1		11	
378	6.3	12.5	3.57	2KJ1500 - ■CD13 - ■■A1		11	
0.37	K.188-D68-LA71M4						
	0.12	24 723	0.81	11 463	★ 2KJ1542 - ■CE13 - ■■C1		749
	K.188-Z68-LA71M4						
	0.15	20 281	0.99	9 201	★ 2KJ1541 - ■CE13 - ■■X1		747
	0.17	17 737	1.1	8 047	2KJ1541 - ■CE13 - ■■W1		747
	0.19	15 923	1.3	7 224	★ 2KJ1541 - ■CE13 - ■■V1		747
	0.21	14 543	1.4	6 598	2KJ1541 - ■CE13 - ■■U1		747
	0.23	12 905	1.5	5 855	★ 2KJ1541 - ■CE13 - ■■T1		747
	0.25	11 914	1.7	5 405	2KJ1541 - ■CE13 - ■■S1		747
	0.28	10 776	1.9	4 889	★ 2KJ1541 - ■CE13 - ■■R1		747
	0.30	9 923	2.0	4 502	2KJ1541 - ■CE13 - ■■Q1		747
	K.168-Z48-LA71M4						
	0.18	16 840	0.80	7 640	2KJ1537 - ■CE13 - ■■S1		486
	0.21	14 642	0.92	6 643	★ 2KJ1537 - ■CE13 - ■■R1		486
	0.23	13 296	1.0	6 032	2KJ1537 - ■CE13 - ■■Q1		486
	0.25	12 138	1.1	5 507	★ 2KJ1537 - ■CE13 - ■■P1		486
	0.27	11 138	1.2	5 053	2KJ1537 - ■CE13 - ■■N1		486
	0.29	10 263	1.3	4 656	★ 2KJ1537 - ■CE13 - ■■M1		486
	0.32	9 319	1.4	4 228	2KJ1537 - ■CE13 - ■■L1		486
	0.36	8 490	1.6	3 852	★ 2KJ1537 - ■CE13 - ■■K1		486
	0.39	7 776	1.7	3 528	2KJ1537 - ■CE13 - ■■J1		486
	0.44	6 939	1.9	3 148	★ 2KJ1537 - ■CE13 - ■■H1		486

★ Preferred transmission ratio

Shaft designs, see page 4/83

Frequency and voltage, see page 8/20

Gearbox housing mounting position, see page 4/87

*) For mounting type B3

1, 2, 3, 5, 6 or 9

1 to 9

A, D, E, F, H or M

MOTOX Geared Motors

Bevel helical geared motors

Geared motors up to 200 kW

Selection and ordering data (continued)

Power rating P_{Motor} kW (50 Hz)	Output speed n_2 (50 Hz) rpm	Output torque T_2 Nm	Service factor f_B	Gearbox ratio i_{tot}	Order No.	Order code (No. of poles)	Weight ^{*)} kg
0.37	K.148-Z38-LA71M4						
	0.32	9 568	0.84	4 341	2KJ1534 - ■CE13 - ■■L1		296
	0.35	8 717	0.92	3 955	2KJ1534 - ■CE13 - ■■K1		296
	0.38	7 972	1.0	3 617	2KJ1534 - ■CE13 - ■■J1		296
	0.42	7 128	1.1	3 234	2KJ1534 - ■CE13 - ■■H1		296
	0.46	6 546	1.2	2 970	2KJ1534 - ■CE13 - ■■G1		296
	0.51	5 901	1.4	2 677	2KJ1534 - ■CE13 - ■■F1		296
	0.60	5 074	1.6	2 302	2KJ1534 - ■CE13 - ■■E1		296
	0.67	4 525	1.8	2 053	2KJ1534 - ■CE13 - ■■D1		296
	0.73	4 155	1.9	1 885	2KJ1534 - ■CE13 - ■■C1		296
	K.128-Z38-LA71M4						
	0.53	5 693	0.83	2 583	2KJ1531 - ■CE13 - ■■F1		201
	0.62	4 895	0.96	2 221	★ 2KJ1531 - ■CE13 - ■■E1		201
	0.69	4 366	1.1	1 981	2KJ1531 - ■CE13 - ■■D1		201
	0.75	4 009	1.2	1 819	★ 2KJ1531 - ■CE13 - ■■C1		201
	0.84	3 613	1.3	1 639	2KJ1531 - ■CE13 - ■■B1		201
	0.97	3 108	1.5	1 410	★ 2KJ1531 - ■CE13 - ■■A1		201
	K.128-Z48-LA71M4						
	0.98	3 086	1.5	1 400	2KJ1533 - ■CE13 - ■■P1		210
	1.1	2 830	1.7	1 284	2KJ1533 - ■CE13 - ■■N1		210
	1.2	2 608	1.8	1 183	2KJ1533 - ■CE13 - ■■M1		210
	1.3	2 367	2.0	1 074	2KJ1533 - ■CE13 - ■■L1		210
	K.108-Z38-LA71M4						
	0.80	3 758	0.80	1 705	2KJ1527 - ■CE13 - ■■B1		134
	0.94	3 231	0.93	1 466	2KJ1527 - ■CE13 - ■■A1		134
	K.108-Z48-LA71M4						
	1.0	2 960	1.0	1 343	★ 2KJ1530 - ■CE13 - ■■P1		143
	1.1	2 718	1.1	1 233	2KJ1530 - ■CE13 - ■■N1		143
	1.2	2 504	1.2	1 136	★ 2KJ1530 - ■CE13 - ■■M1		143
	1.3	2 272	1.3	1 031	2KJ1530 - ■CE13 - ■■L1		143
	1.5	2 072	1.4	940	★ 2KJ1530 - ■CE13 - ■■K1		143
	1.6	1 898	1.6	861	2KJ1530 - ■CE13 - ■■J1		143
	1.8	1 693	1.8	768	★ 2KJ1530 - ■CE13 - ■■H1		143
	K.108-LA90SA8						
	2.2	1 608	1.8	307.24	2KJ1506 - ■EB13 - ■■K2	P02	135
	2.4	1 456	1.9	278.1	★ 2KJ1506 - ■EB13 - ■■J2	P02	135
K.88-Z28-LA71M4							
1.5	2 021	0.82	917	★ 2KJ1523 - ■CE13 - ■■K1		76	
1.7	1 739	0.95	789	2KJ1523 - ■CE13 - ■■J1		76	
1.9	1 583	1.0	718	★ 2KJ1523 - ■CE13 - ■■H1		76	
2.1	1 437	1.1	652	★ 2KJ1523 - ■CE13 - ■■G1		76	
K.88-LA90SA8							
2.2	1 584	0.97	302.68	★ 2KJ1505 - ■EB13 - ■■M2	P02	81	
2.5	1 429	1.2	272.95	2KJ1505 - ■EB13 - ■■L2	P02	81	

★ Preferred transmission ratio

Shaft designs, see page 4/83

Frequency and voltage, see page 8/20

Gearbox housing mounting position, see page 4/87

^{*)} For mounting type B3

1, 2, 3, 5, 6 or 9

1 to 9

A, D, E, F, H or M

MOTOX Geared Motors

Bevel helical geared motors

Geared motors up to 200 kW

Selection and ordering data (continued)

Power rating P_{Motor} kW (50 Hz)	Output speed n_2 (50 Hz) rpm	Output torque T_2 Nm	Service factor f_B	Gearbox ratio i_{tot}	Order No.	Order code (No. of poles)	Weight ^{*)} kg
0.37	K.88-LA90SA8						
	2.7	1 288	1.3	246.13	★ 2KJ1505 - ■EB13 - ■■K2	P02	81
	K.88-LA80S6						
	3.0	1 163	1.3	302.68	★ 2KJ1505 - ■DB13 - ■■M2	P01	78
	3.4	1 048	1.6	272.95	2KJ1505 - ■DB13 - ■■L2	P01	78
	3.7	945	1.7	246.13	★ 2KJ1505 - ■DB13 - ■■K2	P01	78
	4.3	827	2.0	215.25	2KJ1505 - ■DB13 - ■■J2	P01	78
	K.88-LA71M4						
	4.5	781	2.0	302.68	★ 2KJ1505 - ■CE13 - ■■M2		74
	K.68-LA80S6						
	3.8	936	0.88	243.72	2KJ1504 - ■DB13 - ■■N2	P01	48
	4.3	828	0.99	215.68	★ 2KJ1504 - ■DB13 - ■■M2	P01	48
	4.7	753	1.1	196.07	2KJ1504 - ■DB13 - ■■L2	P01	48
	5.2	677	1.2	176.14	★ 2KJ1504 - ■DB13 - ■■K2	P01	48
	K.68-LA71M4						
	5.6	629	1.3	243.72	2KJ1504 - ■CE13 - ■■N2		44
	6.4	556	1.5	215.68	★ 2KJ1504 - ■CE13 - ■■M2		44
	7.0	506	1.6	196.07	2KJ1504 - ■CE13 - ■■L2		44
	7.8	454	1.8	176.14	★ 2KJ1504 - ■CE13 - ■■K2		44
	9.1	389	2.1	150.98	2KJ1504 - ■CE13 - ■■J2		44
	K.48-LA80S6						
	7.0	502	0.90	130.78	★ 2KJ1503 - ■DB13 - ■■G2	P01	29
	7.5	469	0.96	122.19	2KJ1503 - ■DB13 - ■■F2	P01	29
	K.48-LA71M4						
	8.1	437	1.0	169.53	★ 2KJ1503 - ■CE13 - ■■J2		25
	9.1	389	1.2	150.76	2KJ1503 - ■CE13 - ■■H2		25
	10.5	337	1.3	130.78	★ 2KJ1503 - ■CE13 - ■■G2		25
	11.2	315	1.4	122.19	2KJ1503 - ■CE13 - ■■F2		25
	12.7	277	1.6	107.47	★ 2KJ1503 - ■CE13 - ■■E2		25
	14.6	243	1.9	94.12	2KJ1503 - ■CE13 - ■■D2		25
	16.5	215	2.1	83.25	★ 2KJ1503 - ■CE13 - ■■C2		25
	18.2	195	2.3	75.45	2KJ1503 - ■CE13 - ■■B2		25
	K.38-LA71M4						
	12.4	286	0.88	110.75	★ 2KJ1502 - ■CE13 - ■■G2		21
	14.1	250	1.0	97.05	2KJ1502 - ■CE13 - ■■F2		21
	16.1	220	1.1	85.33	★ 2KJ1502 - ■CE13 - ■■E2		21
	17.8	199	1.3	77.09	2KJ1502 - ■CE13 - ■■D2		21
20	173	1.4	67.18	★ 2KJ1502 - ■CE13 - ■■C2		21	
23	156	1.6	60.33	2KJ1502 - ■CE13 - ■■B2		21	
25	140	1.8	54.47	★ 2KJ1502 - ■CE13 - ■■A2		21	
28	127	2.0	49.38	2KJ1502 - ■CE13 - ■■X1		21	
30	116	2.2	44.94	★ 2KJ1502 - ■CE13 - ■■W1		21	
34	102	2.4	39.73	2KJ1502 - ■CE13 - ■■V1		21	
37	95	2.6	36.69	★ 2KJ1502 - ■CE13 - ■■U1		21	

★ Preferred transmission ratio

Shaft designs, see page 4/83

Frequency and voltage, see page 8/20

Gearbox housing mounting position, see page 4/87

*) For mounting type B3

1, 2, 3, 5, 6 or 9

1 to 9

A, D, E, F, H or M

MOTOX Geared Motors

Bevel helical geared motors

Geared motors up to 200 kW

Selection and ordering data (continued)

Power rating P_{Motor} kW (50 Hz)	Output speed n_2 (50 Hz) rpm	Output torque T_2 Nm	Service factor f_B	Gearbox ratio i_{tot}	Order No.	Order code (No. of poles)	Weight ^{*)} kg
0.37	B.38-LA80S6						
	16.1	219	1.1	57.04	2KJ1501 - ■DB13 - ■■T2	P01	27
	18.1	195	1.3	50.72	2KJ1501 - ■DB13 - ■■S2	P01	27
	B.38-LA71M4						
	21	169	1.5	65.69	2KJ1501 - ■CE13 - ■■U2		23
	24	147	1.7	57.04	2KJ1501 - ■CE13 - ■■T2		23
	27	131	1.9	50.72	2KJ1501 - ■CE13 - ■■S2		23
	31	113	2.2	44	2KJ1501 - ■CE13 - ■■R2		23
	33	106	2.4	41.11	2KJ1501 - ■CE13 - ■■Q2		23
	B.28-LA71M4						
	24	148	0.88	57.53	2KJ1500 - ■CE13 - ■■D2		11
	28	125	1.0	48.51	2KJ1500 - ■CE13 - ■■C2		11
	32	111	1.2	43.07	2KJ1500 - ■CE13 - ■■B2		11
	36	97	1.3	37.76	2KJ1500 - ■CE13 - ■■A2		11
	40	87	1.5	33.79	2KJ1500 - ■CE13 - ■■X1		11
46	77	1.7	29.99	2KJ1500 - ■CE13 - ■■W1		11	
52	68	1.9	26.28	2KJ1500 - ■CE13 - ■■V1		11	
59	60	2.2	23.11	2KJ1500 - ■CE13 - ■■U1		11	
66	54	2.4	20.87	2KJ1500 - ■CE13 - ■■T1		11	
75	47	2.8	18.19	2KJ1500 - ■CE13 - ■■S1		11	
84	42	3.1	16.34	2KJ1500 - ■CE13 - ■■R1		11	
93	38	3.4	14.75	2KJ1500 - ■CE13 - ■■Q1		11	
0.55	K.188-Z68-LA71ZMP4						
	0.19	24 353	0.82	7 224	★ 2KJ1541 - ■CG13 - ■■V1		747
	0.21	22 242	0.9	6 598	2KJ1541 - ■CG13 - ■■U1		747
	0.23	19 738	1.0	5 855	★ 2KJ1541 - ■CG13 - ■■T1		747
	0.25	18 221	1.1	5 405	2KJ1541 - ■CG13 - ■■S1		747
	0.28	16 481	1.2	4 889	★ 2KJ1541 - ■CG13 - ■■R1		747
	0.30	15 177	1.3	4 502	2KJ1541 - ■CG13 - ■■Q1		747
	0.33	14 034	1.4	4 163	★ 2KJ1541 - ■CG13 - ■■P1		747
	0.35	13 029	1.5	3 865	2KJ1541 - ■CG13 - ■■N1		747
	0.40	11 495	1.7	3 410	★ 2KJ1541 - ■CG13 - ■■M1		747
	0.44	10 612	1.9	3 148	2KJ1541 - ■CG13 - ■■L1		747
	K.168-Z48-LA71ZMP4						
	0.29	15 696	0.86	4 656	★ 2KJ1537 - ■CG13 - ■■M1		486
	0.32	14 253	0.95	4 228	2KJ1537 - ■CG13 - ■■L1		486
	0.36	12 985	1.0	3 852	★ 2KJ1537 - ■CG13 - ■■K1		486
	0.39	11 893	1.1	3 528	2KJ1537 - ■CG13 - ■■J1		486
	0.44	10 612	1.3	3 148	★ 2KJ1537 - ■CG13 - ■■H1		486
	0.70	6 590	2.0	1 955	★ 2KJ1537 - ■CG13 - ■■D1		486
	K.148-Z38-LA71ZMP4						
	0.46	10 012	0.80	2 970	2KJ1534 - ■CG13 - ■■G1		296
	0.51	9 024	0.89	2 677	2KJ1534 - ■CG13 - ■■F1		296
0.60	7 760	1.0	2 302	2KJ1534 - ■CG13 - ■■E1		296	

★ Preferred transmission ratio

Shaft designs, see page 4/83

1, 2, 3, 5, 6 or 9

Frequency and voltage, see page 8/20

1 to 9

Gearbox housing mounting position, see page 4/87

A, D, E, F, H or M

*) For mounting type B3

MOTOX Geared Motors

Bevel helical geared motors

Geared motors up to 200 kW

Selection and ordering data (continued)

Power rating P_{Motor} kW (50 Hz)	Output speed n_2 (50 Hz) rpm	Output torque T_2 Nm	Service factor f_B	Gearbox ratio i_{tot}	Order No.	Order code (No. of poles)	Weight ^{*)} kg
0.55							
K.148-Z38-LA71ZMP4							
0.67		6 921	1.2	2 053	2KJ1534 - ■CG13 - ■■D1		296
0.73		6 354	1.3	1 885	2KJ1534 - ■CG13 - ■■C1		296
0.81		5 727	1.4	1 699	2KJ1534 - ■CG13 - ■■B1		296
0.94		4 925	1.6	1 461	2KJ1534 - ■CG13 - ■■A1		296
K.148-Z68-LA71ZMP4							
0.98		4 693	1.7	1 392	2KJ1536 - ■CG13 - ■■L1		322
1.1		4 204	1.9	1 247	★ 2KJ1536 - ■CG13 - ■■K1		322
K.128-Z38-LA71ZMP4							
0.84		5 525	0.85	1 639	2KJ1531 - ■CG13 - ■■B1		201
0.97		4 753	0.99	1 410	★ 2KJ1531 - ■CG13 - ■■A1		201
K.128-Z48-LA71ZMP4							
0.98		4 720	1.0	1 400	2KJ1533 - ■CG13 - ■■P1		210
1.1		4 328	1.1	1 284	2KJ1533 - ■CG13 - ■■N1		210
1.2		3 988	1.2	1 183	2KJ1533 - ■CG13 - ■■M1		210
1.3		3 621	1.3	1 074	2KJ1533 - ■CG13 - ■■L1		210
1.4		3 300	1.4	979	2KJ1533 - ■CG13 - ■■K1		210
1.5		3 024	1.6	897	2KJ1533 - ■CG13 - ■■J1		210
1.7		2 697	1.7	800	2KJ1533 - ■CG13 - ■■H1		210
K.128-LA90LA8							
2.3		2 298	2.0	295.38	★ 2KJ1507 - ■EE13 - ■■L2	P02	209
K.108-Z48-LA71ZMP4							
1.3		3 476	0.86	1 031	2KJ1530 - ■CG13 - ■■L1		143
1.5		3 169	0.95	940	★ 2KJ1530 - ■CG13 - ■■K1		143
1.6		2 903	1.0	861	2KJ1530 - ■CG13 - ■■J1		143
1.8		2 589	1.2	768	★ 2KJ1530 - ■CG13 - ■■H1		143
K.108-LA90LA8							
2.2		2 391	1.2	307.24	2KJ1506 - ■EE13 - ■■K2	P02	138
2.4		2 164	1.3	278.1	★ 2KJ1506 - ■EE13 - ■■J2	P02	138
2.8		1 895	1.6	243.47	2KJ1506 - ■EE13 - ■■H2	P02	138
K.108-LA80M6							
3.0		1 773	1.6	307.24	2KJ1506 - ■DC13 - ■■K2	P01	132
3.3		1 605	1.8	278.1	★ 2KJ1506 - ■DC13 - ■■J2	P01	132
K.88-LA90LA8							
2.7		1 915	0.86	246.13	★ 2KJ1505 - ■EE13 - ■■K2	P02	84
K.88-LA80M6							
3.0		1 747	0.88	302.68	★ 2KJ1505 - ■DC13 - ■■M2		78
3.3		1 575	1.0	272.95	2KJ1505 - ■DC13 - ■■L2		78
3.7		1 421	1.2	246.13	★ 2KJ1505 - ■DC13 - ■■K2		78
4.2		1 242	1.3	215.25	2KJ1505 - ■DC13 - ■■J2		78
K.88-LA71ZMP4							
4.5		1 160	1.3	302.68	★ 2KJ1505 - ■CG13 - ■■M2		74
5.0		1 046	1.6	272.95	2KJ1505 - ■CG13 - ■■L2		74

★ Preferred transmission ratio

Shaft designs, see page 4/83

Frequency and voltage, see page 8/20

Gearbox housing mounting position, see page 4/87

^{*)} For mounting type B3

1, 2, 3, 5, 6 or 9

1 to 9

A, D, E, F, H or M

MOTOX Geared Motors

Bevel helical geared motors

Geared motors up to 200 kW

Selection and ordering data (continued)

Power rating P_{Motor} kW (50 Hz)	Output speed n_2 (50 Hz) rpm	Output torque T_2 Nm	Service factor f_B	Gearbox ratio i_{tot}	Order No.	Order code (No. of poles)	Weight ^{*)} kg
0.55	K.88-LA71ZMP4						
	5.6	944	1.7	246.13	★ 2KJ1505 - ■CG13 - ■■K2		74
	6.4	825	2.0	215.25	2KJ1505 - ■CG13 - ■■J2		74
	K.68-LA80M6						
	5.2	1 017	0.81	176.14	★ 2KJ1504 - ■DC13 - ■■K2	P01	48
	K.68-LA71ZMP4						
	5.6	934	0.88	243.72	2KJ1504 - ■CG13 - ■■N2		44
	6.4	827	0.99	215.68	★ 2KJ1504 - ■CG13 - ■■M2		44
	7.0	752	1.1	196.07	2KJ1504 - ■CG13 - ■■L2		44
	7.8	675	1.2	176.14	★ 2KJ1504 - ■CG13 - ■■K2		44
	9.1	579	1.4	150.98	2KJ1504 - ■CG13 - ■■J2		44
	10.0	524	1.6	136.6	★ 2KJ1504 - ■CG13 - ■■H2		44
	10.9	483	1.7	126.09	2KJ1504 - ■CG13 - ■■G2		44
	12.5	420	2.0	109.64	★ 2KJ1504 - ■CG13 - ■■F2		44
	13.8	382	2.1	99.55	2KJ1504 - ■CG13 - ■■E2		44
	K.48-LA71ZMP4						
	10.5	501	0.90	130.78	★ 2KJ1503 - ■CG13 - ■■G2		25
	11.2	468	0.96	122.19	2KJ1503 - ■CG13 - ■■F2		25
	12.7	412	1.1	107.47	★ 2KJ1503 - ■CG13 - ■■E2		25
	14.6	361	1.2	94.12	2KJ1503 - ■CG13 - ■■D2		25
	16.5	319	1.4	83.25	★ 2KJ1503 - ■CG13 - ■■C2		25
	18.2	289	1.6	75.45	2KJ1503 - ■CG13 - ■■B2		25
	21	255	1.8	66.6	★ 2KJ1503 - ■CG13 - ■■A2		25
	23	230	2.0	60.08	2KJ1503 - ■CG13 - ■■X1		25
	25	209	2.2	54.49	★ 2KJ1503 - ■CG13 - ■■W1		25
	28	190	2.4	49.65	2KJ1503 - ■CG13 - ■■V1		25
	K.38-LA71ZMP4						
	17.8	296	0.85	77.09	2KJ1502 - ■CG13 - ■■D2		21
	20	258	0.97	67.18	★ 2KJ1502 - ■CG13 - ■■C2		21
	23	231	1.1	60.33	2KJ1502 - ■CG13 - ■■B2		21
	25	209	1.2	54.47	★ 2KJ1502 - ■CG13 - ■■A2		21
	28	189	1.3	49.38	2KJ1502 - ■CG13 - ■■X1		21
	30	172	1.5	44.94	★ 2KJ1502 - ■CG13 - ■■W1		21
	34	152	1.6	39.73	2KJ1502 - ■CG13 - ■■V1		21
	37	141	1.8	36.69	★ 2KJ1502 - ■CG13 - ■■U1		21
	43	121	2.1	31.59	2KJ1502 - ■CG13 - ■■T1		21
	48	110	2.3	28.72	★ 2KJ1502 - ■CG13 - ■■S1		21
	51	103	2.1	26.9	★ 2KJ1502 - ■CG13 - ■■R1		21
	57	93	2.3	24.16	2KJ1502 - ■CG13 - ■■Q1		21
	63	84	2.4	21.81	★ 2KJ1502 - ■CG13 - ■■P1		21
	69	76	2.6	19.78	2KJ1502 - ■CG13 - ■■N1		21
	76	69	2.8	17.99	★ 2KJ1502 - ■CG13 - ■■M1		21
	86	61	3.0	15.91	2KJ1502 - ■CG13 - ■■L1		21
	93	56	3.2	14.69	★ 2KJ1502 - ■CG13 - ■■K1		21

★ Preferred transmission ratio

Shaft designs, see page 4/83

Frequency and voltage, see page 8/20

Gearbox housing mounting position, see page 4/87

*) For mounting type B3

1, 2, 3, 5, 6 or 9

1 to 9

A, D, E, F, H or M

MOTOX Geared Motors

Bevel helical geared motors

Geared motors up to 200 kW

Selection and ordering data (continued)

Power rating P_{Motor} kW (50 Hz)	Output speed n_2 (50 Hz) rpm	Output torque T_2 Nm	Service factor f_B	Gearbox ratio i_{tot}	Order No.	Order code (No. of poles)	Weight ^{*)} kg
0.55	K.38-LA71ZMP4						
	108	48	3.5	12.65	2KJ1502 - ■CG13 - ■■J1		21
	B.38-LA80M6						
	17.9	293	0.85	50.72	2KJ1501 - ■DC13 - ■■S2	P01	27
	B.38-LA71ZMP4						
	21	252	0.99	65.69	2KJ1501 - ■CG13 - ■■U2		23
	24	219	1.1	57.04	2KJ1501 - ■CG13 - ■■T2		23
	27	194	1.3	50.72	2KJ1501 - ■CG13 - ■■S2		23
	31	169	1.5	44	2KJ1501 - ■CG13 - ■■R2		23
	33	158	1.6	41.11	2KJ1501 - ■CG13 - ■■Q2		23
	38	139	1.8	36.16	2KJ1501 - ■CG13 - ■■P2		23
	43	121	2.1	31.67	2KJ1501 - ■CG13 - ■■N2		23
	49	107	2.3	28.01	2KJ1501 - ■CG13 - ■■M2		23
	54	97	2.6	25.38	2KJ1501 - ■CG13 - ■■L2		23
	61	86	2.8	22.41	2KJ1501 - ■CG13 - ■■K2		23
	68	78	3.0	20.22	2KJ1501 - ■CG13 - ■■J2		23
	75	70	3.2	18.33	2KJ1501 - ■CG13 - ■■H2		23
	B.28-LA71ZMP4						
	36	145	0.90	37.76	2KJ1500 - ■CG13 - ■■A2		11
	40	130	1.0	33.79	2KJ1500 - ■CG13 - ■■X1		11
	46	115	1.1	29.99	2KJ1500 - ■CG13 - ■■W1		11
	52	101	1.3	26.28	2KJ1500 - ■CG13 - ■■V1		11
	59	89	1.5	23.11	2KJ1500 - ■CG13 - ■■U1		11
	66	80	1.6	20.87	2KJ1500 - ■CG13 - ■■T1		11
	75	70	1.9	18.19	2KJ1500 - ■CG13 - ■■S1		11
	84	63	2.1	16.34	2KJ1500 - ■CG13 - ■■R1		11
	93	57	2.3	14.75	2KJ1500 - ■CG13 - ■■Q1		11
	102	51	2.5	13.38	2KJ1500 - ■CG13 - ■■P1		11
	113	47	2.8	12.17	2KJ1500 - ■CG13 - ■■N1		11
	127	41	3.2	10.76	2KJ1500 - ■CG13 - ■■M1		11
138	38	3.4	9.94	2KJ1500 - ■CG13 - ■■L1		11	
160	33	3.7	8.56	2KJ1500 - ■CG13 - ■■K1		11	
176	30	3.9	7.78	2KJ1500 - ■CG13 - ■■J1		11	
183	29	3.1	7.49	2KJ1500 - ■CG13 - ■■H1		11	
203	26	3.5	6.76	2KJ1500 - ■CG13 - ■■G1		11	
223	24	3.8	6.13	2KJ1500 - ■CG13 - ■■F1		11	
246	21	4.2	5.58	2KJ1500 - ■CG13 - ■■E1		11	
277	19	4.8	4.94	2KJ1500 - ■CG13 - ■■D1		11	
300	18	5.0	4.56	2KJ1500 - ■CG13 - ■■C1		11	
0.75	K.188-Z68-LA80ZMB4E						
	0.26	24 688	0.81	5 405	2KJ1541 - ■DE13 - ■■S1		751
	0.29	22 331	0.90	4 889	★ 2KJ1541 - ■DE13 - ■■R1		751
	0.31	20 563	0.97	4 502	2KJ1541 - ■DE13 - ■■Q1		751
	0.34	19 015	1.1	4 163	★ 2KJ1541 - ■DE13 - ■■P1		751

★ Preferred transmission ratio

Shaft designs, see page 4/83

Frequency and voltage, see page 8/20

Gearbox housing mounting position, see page 4/87

*) For mounting type B3

1, 2, 3, 5, 6 or 9

1 to 9

A, D, E, F, H or M

MOTOX Geared Motors

Bevel helical geared motors

Geared motors up to 200 kW

Selection and ordering data (continued)

Power rating P_{Motor} kW (50 Hz)	Output speed n_2 (50 Hz) rpm	Output torque T_2 Nm	Service factor f_B	Gearbox ratio i_{tot}	Order No.	Order code (No. of poles)	Weight *) kg
0.75	K.188-Z68-LA80ZMB4E						
	0.36	17 654	1.1	3 865	2KJ1541 - ■DE13 - ■■N1		751
	0.41	15 576	1.3	3 410	★ 2KJ1541 - ■DE13 - ■■M1		751
	0.44	14 379	1.4	3 148	2KJ1541 - ■DE13 - ■■L1		751
	0.50	12 885	1.6	2 821	★ 2KJ1541 - ■DE13 - ■■K1		751
	0.54	11 880	1.7	2 601	2KJ1541 - ■DE13 - ■■J1		751
	0.64	9 967	2.0	2 182	2KJ1541 - ■DE13 - ■■H1		751
1.0	K.168-Z48-LA80ZMB4E						
	0.40	16 115	0.84	3 528	2KJ1537 - ■DE13 - ■■J1		490
	0.44	14 379	0.94	3 148	★ 2KJ1537 - ■DE13 - ■■H1		490
	0.50	12 835	1.1	2 810	2KJ1537 - ■DE13 - ■■G1		490
	0.59	10 898	1.2	2 386	2KJ1537 - ■DE13 - ■■F1		490
	0.70	9 071	1.5	1 986	★ 2KJ1537 - ■DE13 - ■■E1		490
	0.72	8 930	1.5	1 955	★ 2KJ1537 - ■DE13 - ■■D1		490
	0.80	7 971	1.7	1 745	2KJ1537 - ■DE13 - ■■C1		490
	0.94	6 769	2.0	1 482	2KJ1537 - ■DE13 - ■■B1		490
1.5	K.148-Z38-LA80ZMB4E						
	0.68	9 377	0.85	2 053	2KJ1534 - ■DE13 - ■■D1		300
	0.74	8 610	0.93	1 885	2KJ1534 - ■DE13 - ■■C1		300
	0.82	7 760	1.0	1 699	2KJ1534 - ■DE13 - ■■B1		300
	0.96	6 673	1.2	1 461	2KJ1534 - ■DE13 - ■■A1		300
2.0	K.148-Z68-LA80ZMB4E						
	1.0	6 358	1.3	1 392	2KJ1536 - ■DE13 - ■■L1		326
	1.1	5 696	1.4	1 247	★ 2KJ1536 - ■DE13 - ■■K1		326
	1.2	5 253	1.5	1 150	2KJ1536 - ■DE13 - ■■J1		326
	1.5	4 408	1.8	965	2KJ1536 - ■DE13 - ■■H1		326
3.0	K.128-Z48-LA80ZMB4E						
	1.1	5 865	0.80	1 284	2KJ1533 - ■DE13 - ■■N1		214
	1.2	5 404	0.87	1 183	2KJ1533 - ■DE13 - ■■M1		214
	1.3	4 906	0.96	1 074	2KJ1533 - ■DE13 - ■■L1		214
	1.4	4 472	1.1	979	2KJ1533 - ■DE13 - ■■K1		214
	1.6	4 097	1.1	897	2KJ1533 - ■DE13 - ■■J1		214
	1.8	3 654	1.3	800	2KJ1533 - ■DE13 - ■■H1		214
	2.0	3 261	1.4	714	2KJ1533 - ■DE13 - ■■G1		214
	4.0	K.128-LA100LA8					
2.3		3 111	1.5	295.38	★ 2KJ1507 - ■FB13 - ■■L2	P02	217
2.5		2 853	1.6	270.9	2KJ1507 - ■FB13 - ■■K2	P02	217
2.8		2 549	1.8	242.02	★ 2KJ1507 - ■FB13 - ■■J2	P02	217
3.1		2 335	2.0	221.64	2KJ1507 - ■FB13 - ■■H2	P02	217
5.0	K.108-Z48-LA80ZMB4E						
	1.8	3 508	0.86	768	★ 2KJ1530 - ■DE13 - ■■H1		147
	2.0	3 129	0.96	685	2KJ1530 - ■DE13 - ■■G1		147
6.0	K.108-LA100LA8						
	2.8	2 564	1.2	243.47	2KJ1506 - ■FB13 - ■■H2	P02	146

★ Preferred transmission ratio

Shaft designs, see page 4/83

Frequency and voltage, see page 8/20

Gearbox housing mounting position, see page 4/87

*) For mounting type B3

1, 2, 3, 5, 6 or 9

1 to 9

A, D, E, F, H or M

MOTOX Geared Motors

Bevel helical geared motors

Geared motors up to 200 kW

Selection and ordering data (continued)

Power rating P_{Motor} kW (50 Hz)	Output speed n_2 (50 Hz) rpm	Output torque T_2 Nm	Service factor f_B	Gearbox ratio i_{tot}	Order No.	Order code (No. of poles)	Weight ^{*)} kg
0.75	K.108-LA90SB6E						
	3.0	2 379	1.2	307.24	2KJ1506 - ■ED13 - ■■K2	P01	135
	3.3	2 153	1.3	278.1	★ 2KJ1506 - ■ED13 - ■■J2	P01	135
	3.8	1 885	1.6	243.47	2KJ1506 - ■ED13 - ■■H2	P01	135
	4.2	1 701	1.8	219.64	★ 2KJ1506 - ■ED13 - ■■G2	P01	135
	K.108-LA80ZMB4E						
	4.6	1 572	1.8	307.24	2KJ1506 - ■DE13 - ■■K2		132
	5.0	1 423	2.0	278.1	★ 2KJ1506 - ■DE13 - ■■J2		132
	K.88-LA90SB6E						
	3.8	1 906	0.87	246.13	★ 2KJ1505 - ■ED13 - ■■K2	P01	81
	4.3	1 667	0.99	215.25	2KJ1505 - ■ED13 - ■■J2	P01	81
	K.88-LA80ZMB4E						
	4.6	1 549	0.99	302.68	★ 2KJ1505 - ■DE13 - ■■M2		78
	5.1	1 396	1.2	272.95	2KJ1505 - ■DE13 - ■■L2		78
	5.7	1 259	1.3	246.13	★ 2KJ1505 - ■DE13 - ■■K2		78
	6.5	1 101	1.5	215.25	2KJ1505 - ■DE13 - ■■J2		78
	7.2	989	1.7	193.24	★ 2KJ1505 - ■DE13 - ■■H2		78
	7.9	903	1.8	176.5	2KJ1505 - ■DE13 - ■■G2		78
	8.9	801	2.1	156.63	★ 2KJ1505 - ■DE13 - ■■F2		78
	K.68-LA80ZMB4E						
	7.1	1 003	0.82	196.07	2KJ1504 - ■DE13 - ■■L2		48
	7.9	901	0.91	176.14	★ 2KJ1504 - ■DE13 - ■■K2		48
	9.3	772	1.1	150.98	2KJ1504 - ■DE13 - ■■J2		48
	10.2	699	1.2	136.6	★ 2KJ1504 - ■DE13 - ■■H2		48
11.1	645	1.3	126.09	2KJ1504 - ■DE13 - ■■G2		48	
12.8	561	1.5	109.64	★ 2KJ1504 - ■DE13 - ■■F2		48	
14.1	509	1.6	99.55	2KJ1504 - ■DE13 - ■■E2		48	
15.4	465	1.8	90.89	★ 2KJ1504 - ■DE13 - ■■D2		48	
16.8	427	1.9	83.4	2KJ1504 - ■DE13 - ■■C2		48	
18.2	393	2.1	76.84	★ 2KJ1504 - ■DE13 - ■■B2		48	
20	357	2.3	69.78	2KJ1504 - ■DE13 - ■■A2		48	
K.48-LA80ZMB4E							
13.0	550	0.82	107.47	★ 2KJ1503 - ■DE13 - ■■E2		29	
14.9	482	0.93	94.12	2KJ1503 - ■DE13 - ■■D2		29	
16.8	426	1.1	83.25	★ 2KJ1503 - ■DE13 - ■■C2		29	
18.6	386	1.2	75.45	2KJ1503 - ■DE13 - ■■B2		29	
21	341	1.3	66.6	★ 2KJ1503 - ■DE13 - ■■A2		29	
23	307	1.5	60.08	2KJ1503 - ■DE13 - ■■X1		29	
26	279	1.6	54.49	★ 2KJ1503 - ■DE13 - ■■W1		29	
28	254	1.8	49.65	2KJ1503 - ■DE13 - ■■V1		29	
31	232	1.9	45.41	★ 2KJ1503 - ■DE13 - ■■U1		29	
34	208	2.2	40.6	2KJ1503 - ■DE13 - ■■T1		29	
38	191	2.4	37.28	★ 2KJ1503 - ■DE13 - ■■S1		29	
42	172	2.6	33.6	2KJ1503 - ■DE13 - ■■R1		29	

★ Preferred transmission ratio

Shaft designs, see page 4/83

Frequency and voltage, see page 8/20

Gearbox housing mounting position, see page 4/87

*) For mounting type B3

1, 2, 3, 5, 6 or 9

1 to 9

A, D, E, F, H or M

MOTOX Geared Motors

Bevel helical geared motors

Geared motors up to 200 kW

Selection and ordering data (continued)

Power rating P_{Motor} kW (50 Hz)	Output speed n_2 (50 Hz) rpm	Output torque T_2 Nm	Service factor f_B	Gearbox ratio i_{tot}	Order No.	Order code (No. of poles)	Weight *) kg
0.75	K.38-LA80ZMB4E						
	23	309	0.81	60.33	2KJ1502 - DE13 - B2		25
	26	279	0.90	54.47	★ 2KJ1502 - DE13 - A2		25
	28	253	0.99	49.38	2KJ1502 - DE13 - X1		25
	31	230	1.1	44.94	★ 2KJ1502 - DE13 - W1		25
	35	203	1.2	39.73	2KJ1502 - DE13 - V1		25
	38	188	1.3	36.69	★ 2KJ1502 - DE13 - U1		25
	44	162	1.5	31.59	2KJ1502 - DE13 - T1		25
	49	147	1.7	28.72	★ 2KJ1502 - DE13 - S1		25
	52	138	1.6	26.9	★ 2KJ1502 - DE13 - R1		25
	58	124	1.7	24.16	2KJ1502 - DE13 - Q1		25
	64	112	1.8	21.81	★ 2KJ1502 - DE13 - P1		25
	71	101	1.9	19.78	2KJ1502 - DE13 - N1		25
	78	92	2.1	17.99	★ 2KJ1502 - DE13 - M1		25
	88	81	2.3	15.91	2KJ1502 - DE13 - L1		25
	95	75	2.4	14.69	★ 2KJ1502 - DE13 - K1		25
	111	65	2.7	12.65	2KJ1502 - DE13 - J1		25
	122	59	2.8	11.5	★ 2KJ1502 - DE13 - H1		25
	131	55	2.9	10.72	★ 2KJ1502 - DE13 - G1		25
144	50	3.2	9.72	2KJ1502 - DE13 - F1		25	
158	45	3.5	8.85	★ 2KJ1502 - DE13 - E1		25	
179	40	4.0	7.82	2KJ1502 - DE13 - D1		25	
194	37	4.3	7.22	★ 2KJ1502 - DE13 - C1		25	
	B.38-LA80ZMB4E						
	24	292	0.86	57.04	2KJ1501 - DE13 - T2		27
	28	259	0.96	50.72	2KJ1501 - DE13 - S2		27
	32	225	1.1	44	2KJ1501 - DE13 - R2		27
	34	210	1.2	41.11	2KJ1501 - DE13 - Q2		27
	39	185	1.4	36.16	2KJ1501 - DE13 - P2		27
	44	162	1.5	31.67	2KJ1501 - DE13 - N2		27
	50	143	1.7	28.01	2KJ1501 - DE13 - M2		27
	55	130	1.9	25.38	2KJ1501 - DE13 - L2		27
	62	115	2.1	22.41	2KJ1501 - DE13 - K2		27
	69	103	2.2	20.22	2KJ1501 - DE13 - J2		27
	76	94	2.4	18.33	2KJ1501 - DE13 - H2		27
	84	85	2.6	16.7	2KJ1501 - DE13 - G2		27
	92	78	2.7	15.28	2KJ1501 - DE13 - F2		27
102	70	3.0	13.66	2KJ1501 - DE13 - E2		27	
112	64	3.4	12.5	2KJ1501 - DE13 - C2		27	
	B.28-LA80ZMB4E						
	47	153	0.85	29.99	2KJ1500 - DE13 - W1		15
	53	134	0.97	26.28	2KJ1500 - DE13 - V1		15
	61	118	1.1	23.11	2KJ1500 - DE13 - U1		15
	67	107	1.2	20.87	2KJ1500 - DE13 - T1		15

★ Preferred transmission ratio

Shaft designs, see page 4/83

1, 2, 3, 5, 6 or 9

Frequency and voltage, see page 8/20

1 to 9

Gearbox housing mounting position, see page 4/87

A, D, E, F, H or M

*) For mounting type B3

MOTOX Geared Motors

Bevel helical geared motors

Geared motors up to 200 kW

Selection and ordering data (continued)

Power rating P_{Motor} kW (50 Hz)	Output speed n_2 (50 Hz) rpm	Output torque T_2 Nm	Service factor f_B	Gearbox ratio i_{tot}	Order No.	Order code (No. of poles)	Weight ^{*)} kg
0.75	B.28-LA80ZMB4E						
	77		93	1.4	18.19	2KJ1500 - DE13 - S1	15
	86		84	1.6	16.34	2KJ1500 - DE13 - R1	15
	95		76	1.7	14.75	2KJ1500 - DE13 - Q1	15
	105		68	1.9	13.38	2KJ1500 - DE13 - P1	15
	115		62	2.1	12.17	2KJ1500 - DE13 - N1	15
	130		55	2.4	10.76	2KJ1500 - DE13 - M1	15
	141		51	2.5	9.94	2KJ1500 - DE13 - L1	15
	164		44	2.8	8.56	2KJ1500 - DE13 - K1	15
	180		40	2.9	7.78	2KJ1500 - DE13 - J1	15
	187		38	2.3	7.49	2KJ1500 - DE13 - H1	15
	207		35	2.6	6.76	2KJ1500 - DE13 - G1	15
	228		31	2.9	6.13	2KJ1500 - DE13 - F1	15
	251		28	3.2	5.58	2KJ1500 - DE13 - E1	15
	283		25	3.6	4.94	2KJ1500 - DE13 - D1	15
	307		23	3.7	4.56	2KJ1500 - DE13 - C1	15
	357		20	4.1	3.92	2KJ1500 - DE13 - B1	15
392		18	4.3	3.57	2KJ1500 - DE13 - A1	15	
1.1	K.188-Z68-LA90SB4E						
	0.42		22 504	0.89	3 410	★ 2KJ1541 - EM13 - M1	754
	0.46		20 775	0.96	3 148	2KJ1541 - EM13 - L1	754
	0.51		18 617	1.1	2 821	★ 2KJ1541 - EM13 - K1	754
	0.55		17 165	1.2	2 601	2KJ1541 - EM13 - J1	754
	0.66		14 400	1.4	2 182	2KJ1541 - EM13 - H1	754
	0.77		12 288	1.6	1 862	★ 2KJ1541 - EM13 - G1	754
	K.168-Z68-LA90SB4E						
	1.4		6 817	2.0	1 033	2KJ1540 - EM13 - H1	510
	K.168-Z48-LA90SB4E						
	0.60		15 746	0.86	2 386	2KJ1537 - EM13 - F1	493
	0.72		13 107	1.0	1 986	★ 2KJ1537 - EM13 - E1	493
	0.74		12 902	1.0	1 955	★ 2KJ1537 - EM13 - D1	493
	0.82		11 516	1.2	1 745	2KJ1537 - EM13 - C1	493
	0.97		9 780	1.4	1 482	2KJ1537 - EM13 - B1	493
	1.2		8 137	1.7	1 233	★ 2KJ1537 - EM13 - A1	493
	K.148-Z68-LA90SB4E						
	1.0		9 186	0.87	1 392	2KJ1536 - EM13 - L1	329
	1.2		8 230	0.97	1 247	★ 2KJ1536 - EM13 - K1	329
	1.3		7 589	1.1	1 150	2KJ1536 - EM13 - J1	329
	1.5		6 368	1.3	965	2KJ1536 - EM13 - H1	329
	1.7		5 431	1.5	823	★ 2KJ1536 - EM13 - G1	329
K.148-Z38-LA90SB4E							
0.99		9 642	0.83	1 461	2KJ1534 - EM13 - A1	303	

★ Preferred transmission ratio

Shaft designs, see page 4/83

Frequency and voltage, see page 8/20

Gearbox housing mounting position, see page 4/87

*) For mounting type B3

1, 2, 3, 5, 6 or 9

1 to 9

A, D, E, F, H or M

MOTOX Geared Motors

Bevel helical geared motors

Geared motors up to 200 kW

Selection and ordering data (continued)

Power rating P_{Motor} kW (50 Hz)	Output speed n_2 (50 Hz) rpm	Output torque T_2 Nm	Service factor f_B	Gearbox ratio i_{tot}	Order No.	Order code (No. of poles)	Weight ^{*)} kg
1.1							
K.148-LA100L8							
2.2	4 728		1.7	306.08	2KJ1508 - ■FL13 - ■■N2	P02	317
2.5	4 239		1.9	274.42	★ 2KJ1508 - ■FL13 - ■■M2	P02	317
K.128-Z48-LA90SB4E							
1.8	5 280		0.89	800	2KJ1533 - ■EM13 - ■■H1		217
2.0	4 712		1.0	714	2KJ1533 - ■EM13 - ■■G1		217
K.128-LA100L8							
2.3	4 563		1.0	295.38	★ 2KJ1507 - ■FL13 - ■■L2	P02	217
2.5	4 185		1.1	270.9	2KJ1507 - ■FL13 - ■■K2	P02	217
2.8	3 739		1.3	242.02	★ 2KJ1507 - ■FL13 - ■■J2	P02	217
3.1	3 424		1.4	221.64	2KJ1507 - ■FL13 - ■■H2	P02	217
K.128-LA90ZLD6E							
3.2	3 301		1.4	295.38	★ 2KJ1507 - ■EQ13 - ■■L2	P01	209
3.5	3 027		1.6	270.9	2KJ1507 - ■EQ13 - ■■K2	P01	209
3.9	2 705		1.7	242.02	★ 2KJ1507 - ■EQ13 - ■■J2	P01	209
4.2	2 477		1.9	221.64	2KJ1507 - ■EQ13 - ■■H2	P01	209
K.108-LA100L8							
2.8	3 761		0.80	243.47	2KJ1506 - ■FL13 - ■■H2	P02	146
K.108-LA90ZLD6E							
3.1	3 434		0.85	307.24	2KJ1506 - ■EQ13 - ■■K2	P01	138
3.4	3 108		0.91	278.1	★ 2KJ1506 - ■EQ13 - ■■J2	P01	138
3.9	2 721		1.1	243.47	2KJ1506 - ■EQ13 - ■■H2	P01	138
4.3	2 455		1.2	219.64	★ 2KJ1506 - ■EQ13 - ■■G2	P01	138
K.108-LA90SB4E							
4.7	2 241		1.3	307.24	2KJ1506 - ■EM13 - ■■K2		135
5.2	2 029		1.4	278.1	★ 2KJ1506 - ■EM13 - ■■J2		135
5.9	1 776		1.7	243.47	2KJ1506 - ■EM13 - ■■H2		135
6.6	1 602		1.9	219.64	★ 2KJ1506 - ■EM13 - ■■G2		135
7.2	1 467		2.0	201.11	2KJ1506 - ■EM13 - ■■F2		135
K.88-LA90SB4E							
5.3	1 991		0.83	272.95	2KJ1505 - ■EM13 - ■■L2		81
5.9	1 796		0.92	246.13	★ 2KJ1505 - ■EM13 - ■■K2		81
6.7	1 570		1.1	215.25	2KJ1505 - ■EM13 - ■■J2		81
7.5	1 410		1.2	193.24	★ 2KJ1505 - ■EM13 - ■■H2		81
8.2	1 288		1.3	176.5	2KJ1505 - ■EM13 - ■■G2		81
9.2	1 143		1.4	156.63	★ 2KJ1505 - ■EM13 - ■■F2		81
10.0	1 055		1.6	144.58	2KJ1505 - ■EM13 - ■■E2		81
11.0	954		1.7	130.77	★ 2KJ1505 - ■EM13 - ■■D2		81
12.0	878		1.9	120.42	2KJ1505 - ■EM13 - ■■C2		81
12.9	812		2.0	111.37	★ 2KJ1505 - ■EM13 - ■■B2		81
13.9	754		2.2	103.38	2KJ1505 - ■EM13 - ■■A2		81

★ Preferred transmission ratio

Shaft designs, see page 4/83

Frequency and voltage, see page 8/20

Gearbox housing mounting position, see page 4/87

^{*)} For mounting type B3

1, 2, 3, 5, 6 or 9

1 to 9

A, D, E, F, H or M

MOTOX Geared Motors

Bevel helical geared motors

Geared motors up to 200 kW

Selection and ordering data (continued)

Power rating P_{Motor} kW (50 Hz)	Output speed n_2 (50 Hz) rpm	Output torque T_2 Nm	Service factor f_B	Gearbox ratio i_{tot}	Order No.	Order code (No. of poles)	Weight ^{*)} kg
1.1							
K.68-LA90SB4E							
10.5		997	0.82	136.6	★ 2KJ1504 - ■EM13 - ■■H2		51
11.4		920	0.89	126.09	2KJ1504 - ■EM13 - ■■G2		51
13.1		800	1.0	109.64	★ 2KJ1504 - ■EM13 - ■■F2		51
14.5		726	1.1	99.55	2KJ1504 - ■EM13 - ■■E2		51
15.8		663	1.2	90.89	★ 2KJ1504 - ■EM13 - ■■D2		51
17.3		608	1.3	83.4	2KJ1504 - ■EM13 - ■■C2		51
18.7		561	1.5	76.84	★ 2KJ1504 - ■EM13 - ■■B2		51
21		509	1.6	69.78	2KJ1504 - ■EM13 - ■■A2		51
23		464	1.8	63.57	★ 2KJ1504 - ■EM13 - ■■X1		51
25		425	1.9	58.23	2KJ1504 - ■EM13 - ■■W1		51
28		379	2.2	51.96	★ 2KJ1504 - ■EM13 - ■■V1		51
31		338	2.4	46.37	2KJ1504 - ■EM13 - ■■U1		51
K.48-LA90SB4E							
19.1		550	0.82	75.45	2KJ1503 - ■EM13 - ■■B2		32
22		486	0.93	66.6	★ 2KJ1503 - ■EM13 - ■■A2		32
24		438	1.0	60.08	2KJ1503 - ■EM13 - ■■X1		32
26		398	1.1	54.49	★ 2KJ1503 - ■EM13 - ■■W1		32
29		362	1.2	49.65	2KJ1503 - ■EM13 - ■■V1		32
32		331	1.4	45.41	★ 2KJ1503 - ■EM13 - ■■U1		32
36		296	1.5	40.6	2KJ1503 - ■EM13 - ■■T1		32
39		272	1.7	37.28	★ 2KJ1503 - ■EM13 - ■■S1		32
43		245	1.8	33.6	2KJ1503 - ■EM13 - ■■R1		32
50		211	2.1	28.9	★ 2KJ1503 - ■EM13 - ■■Q1		32
52		201	2.2	27.55	★ 2KJ1503 - ■EM13 - ■■P1		32
58		181	2.5	24.85	2KJ1503 - ■EM13 - ■■N1		32
64		164	2.7	22.54	★ 2KJ1503 - ■EM13 - ■■M1		32
70		150	3.0	20.54	2KJ1503 - ■EM13 - ■■L1		32
127		83	3.5	11.35	★ 2KJ1503 - ■EM13 - ■■E1		32
142		74	3.8	10.15	2KJ1503 - ■EM13 - ■■D1		32
K.38-LA90SB4E							
36		290	0.86	39.73	2KJ1502 - ■EM13 - ■■V1		28
39		268	0.93	36.69	★ 2KJ1502 - ■EM13 - ■■U1		28
46		230	1.1	31.59	2KJ1502 - ■EM13 - ■■T1		28
50		210	1.2	28.72	★ 2KJ1502 - ■EM13 - ■■S1		28
54		196	1.1	26.9	★ 2KJ1502 - ■EM13 - ■■R1		28
60		176	1.2	24.16	2KJ1502 - ■EM13 - ■■Q1		28
66		159	1.3	21.81	★ 2KJ1502 - ■EM13 - ■■P1		28
73		144	1.4	19.78	2KJ1502 - ■EM13 - ■■N1		28
80		131	1.5	17.99	★ 2KJ1502 - ■EM13 - ■■M1		28
90		116	1.6	15.91	2KJ1502 - ■EM13 - ■■L1		28
98		107	1.7	14.69	★ 2KJ1502 - ■EM13 - ■■K1		28
114		92	1.9	12.65	2KJ1502 - ■EM13 - ■■J1		28
125		84	2.0	11.5	★ 2KJ1502 - ■EM13 - ■■H1		28

★ Preferred transmission ratio

Shaft designs, see page 4/83

1, 2, 3, 5, 6 or 9

Frequency and voltage, see page 8/20

1 to 9

Gearbox housing mounting position, see page 4/87

A, D, E, F, H or M

*) For mounting type B3

MOTOX Geared Motors

Bevel helical geared motors

Geared motors up to 200 kW

Selection and ordering data (continued)

Power rating P_{Motor} kW (50 Hz)	Output speed n_2 (50 Hz) rpm	Output torque T_2 Nm	Service factor f_B	Gearbox ratio i_{tot}	Order No.	Order code (No. of poles)	Weight ^{*)} kg
1.1							
K.38-LA90SB4E							
134		78	2.0	10.72	★ 2KJ1502 - ■EM13 - ■■G1		28
148		71	2.2	9.72	2KJ1502 - ■EM13 - ■■F1		28
163		65	2.5	8.85	★ 2KJ1502 - ■EM13 - ■■E1		28
184		57	2.8	7.82	2KJ1502 - ■EM13 - ■■D1		28
199		53	3.0	7.22	★ 2KJ1502 - ■EM13 - ■■C1		28
232		45	3.3	6.22	2KJ1502 - ■EM13 - ■■B1		28
255		41	3.6	5.65	★ 2KJ1502 - ■EM13 - ■■A1		28
B.38-LA90SB4E							
35		300	0.83	41.11	2KJ1501 - ■EM13 - ■■Q2		30
40		264	0.95	36.16	2KJ1501 - ■EM13 - ■■P2		30
46		231	1.1	31.67	2KJ1501 - ■EM13 - ■■N2		30
51		204	1.2	28.01	2KJ1501 - ■EM13 - ■■M2		30
57		185	1.4	25.38	2KJ1501 - ■EM13 - ■■L2		30
64		163	1.5	22.41	2KJ1501 - ■EM13 - ■■K2		30
71		148	1.6	20.22	2KJ1501 - ■EM13 - ■■J2		30
79		134	1.7	18.33	2KJ1501 - ■EM13 - ■■H2		30
86		122	1.8	16.7	2KJ1501 - ■EM13 - ■■G2		30
94		111	1.9	15.28	2KJ1501 - ■EM13 - ■■F2		30
105		100	2.1	13.66	2KJ1501 - ■EM13 - ■■E2		30
115		91	2.4	12.5	2KJ1501 - ■EM13 - ■■C2		30
130		81	2.8	11.05	2KJ1501 - ■EM13 - ■■A2		30
144		73	3.0	10.02	2KJ1501 - ■EM13 - ■■X1		30
163		64	3.7	8.84	2KJ1501 - ■EM13 - ■■U1		30
180		58	4.1	7.98	2KJ1501 - ■EM13 - ■■S1		30
B.28-LA90SB4E							
69		152	0.85	20.87	2KJ1500 - ■EM13 - ■■T1		18
79		133	0.98	18.19	2KJ1500 - ■EM13 - ■■S1		18
88		119	1.1	16.34	2KJ1500 - ■EM13 - ■■R1		18
98		108	1.2	14.75	2KJ1500 - ■EM13 - ■■Q1		18
108		98	1.3	13.38	2KJ1500 - ■EM13 - ■■P1		18
118		89	1.5	12.17	2KJ1500 - ■EM13 - ■■N1		18
134		78	1.7	10.76	2KJ1500 - ■EM13 - ■■M1		18
145		72	1.8	9.94	2KJ1500 - ■EM13 - ■■L1		18
168		62	1.9	8.56	2KJ1500 - ■EM13 - ■■K1		18
185		57	2.1	7.78	2KJ1500 - ■EM13 - ■■J1		18
192		55	1.6	7.49	2KJ1500 - ■EM13 - ■■H1		18
213		49	1.8	6.76	2KJ1500 - ■EM13 - ■■G1		18
235		45	2.0	6.13	2KJ1500 - ■EM13 - ■■F1		18
258		41	2.2	5.58	2KJ1500 - ■EM13 - ■■E1		18
291		36	2.5	4.94	2KJ1500 - ■EM13 - ■■D1		18
316		33	2.6	4.56	2KJ1500 - ■EM13 - ■■C1		18
367		29	2.9	3.92	2KJ1500 - ■EM13 - ■■B1		18
403		26	3.0	3.57	2KJ1500 - ■EM13 - ■■A1		18

★ Preferred transmission ratio

Shaft designs, see page 4/83

1, 2, 3, 5, 6 or 9

Frequency and voltage, see page 8/20

1 to 9

Gearbox housing mounting position, see page 4/87

A, D, E, F, H or M

^{*)} For mounting type B3

MOTOX Geared Motors

Bevel helical geared motors

Geared motors up to 200 kW

Selection and ordering data (continued)

Power rating P_{Motor} kW (50 Hz)	Output speed n_2 (50 Hz) rpm	Output torque T_2 Nm	Service factor f_B	Gearbox ratio i_{tot}	Order No.	Order code (No. of poles)	Weight ^{*)} kg
1.5							
K.188-Z68-LA90ZLB4E							
0.55	23 582	0.85	2 601	2KJ1541 - ■EQ13 - ■■J1		757	
0.66	19 783	1.0	2 182	2KJ1541 - ■EQ13 - ■■H1		757	
0.77	16 882	1.2	1 862	★ 2KJ1541 - ■EQ13 - ■■G1		757	
1.3	10 291	1.9	1 135	2KJ1541 - ■EQ13 - ■■D1		757	
K.168-Z68-LA90ZLB4E							
1.4	9 366	1.4	1 033	2KJ1540 - ■EQ13 - ■■H1		513	
1.6	7 988	1.7	881	2KJ1540 - ■EQ13 - ■■G1		513	
K.168-Z48-LA90ZLB4E							
0.82	15 821	0.85	1 745	2KJ1537 - ■EQ13 - ■■C1		496	
0.97	13 437	1.0	1 482	2KJ1537 - ■EQ13 - ■■B1		496	
1.2	11 179	1.2	1 233	★ 2KJ1537 - ■EQ13 - ■■A1		496	
K.148-Z68-LA90ZLB4E							
1.5	8 749	0.91	965	2KJ1536 - ■EQ13 - ■■H1		332	
1.7	7 462	1.1	823	★ 2KJ1536 - ■EQ13 - ■■G1		332	
K.148-LA112M8							
2.3	6 219	1.3	306.08	2KJ1508 - ■GG13 - ■■N2	P02	324	
2.6	5 576	1.4	274.42	★ 2KJ1508 - ■GG13 - ■■M2	P02	324	
2.8	5 111	1.6	251.55	2KJ1508 - ■GG13 - ■■L2	P02	324	
3.0	4 713	1.7	231.95	★ 2KJ1508 - ■GG13 - ■■K2	P02	324	
K.148-LA100ZLP6E							
3.1	4 689	1.7	306.08	2KJ1508 - ■FM13 - ■■N2	P01	317	
3.4	4 204	1.9	274.42	★ 2KJ1508 - ■FM13 - ■■M2	P01	317	
K.128-LA112M8							
2.6	5 504	0.85	270.9	2KJ1507 - ■GG13 - ■■K2	P02	224	
2.9	4 918	0.96	242.02	★ 2KJ1507 - ■GG13 - ■■J2	P02	224	
K.128-LA100ZLP6E							
3.2	4 525	1.0	295.38	★ 2KJ1507 - ■FM13 - ■■L2	P01	217	
3.5	4 150	1.1	270.9	2KJ1507 - ■FM13 - ■■K2	P01	217	
3.9	3 708	1.3	242.02	★ 2KJ1507 - ■FM13 - ■■J2	P01	217	
4.2	3 396	1.4	221.64	2KJ1507 - ■FM13 - ■■H2	P01	217	
4.6	3 128	1.5	204.18	★ 2KJ1507 - ■FM13 - ■■G2	P01	217	
K.128-LA90ZLB4E							
4.9	2 938	1.6	295.38	★ 2KJ1507 - ■EQ13 - ■■L2		209	
5.3	2 695	1.7	270.9	2KJ1507 - ■EQ13 - ■■K2		209	
5.9	2 408	2.0	242.02	★ 2KJ1507 - ■EQ13 - ■■J2		209	
6.5	2 205	2.1	221.64	2KJ1507 - ■EQ13 - ■■H2		209	
K.108-LA100ZLP6E							
3.8	3 730	0.80	243.47	2KJ1506 - ■FM13 - ■■H2	P01	146	
4.3	3 365	0.89	219.64	★ 2KJ1506 - ■FM13 - ■■G2	P01	146	
K.108-LA90ZLB4E							
4.7	3 056	0.95	307.24	2KJ1506 - ■EQ13 - ■■K2		138	
5.2	2 767	1.0	278.1	★ 2KJ1506 - ■EQ13 - ■■J2		138	

★ Preferred transmission ratio

Shaft designs, see page 4/83

1, 2, 3, 5, 6 or 9

Frequency and voltage, see page 8/20

1 to 9

Gearbox housing mounting position, see page 4/87

A, D, E, F, H or M

*) For mounting type B3

MOTOX Geared Motors

Bevel helical geared motors

Geared motors up to 200 kW

Selection and ordering data (continued)

Power rating P_{Motor} kW (50 Hz)	Output speed n_2 (50 Hz) rpm	Output torque T_2 Nm	Service factor f_B	Gearbox ratio i_{tot}	Order No.	Order code (No. of poles)	Weight ^{*)} kg
1.5							
K.108-LA90ZLB4E							
	5.9	2 422	1.2	243.47	2KJ1506 - ■EQ13 - ■■H2		138
	6.6	2 185	1.4	219.64	★ 2KJ1506 - ■EQ13 - ■■G2		138
	7.2	2 001	1.5	201.11	2KJ1506 - ■EQ13 - ■■F2		138
	8.0	1 780	1.7	178.9	★ 2KJ1506 - ■EQ13 - ■■E2		138
	8.8	1 627	1.8	163.51	2KJ1506 - ■EQ13 - ■■D2		138
	9.6	1 495	2.0	150.31	★ 2KJ1506 - ■EQ13 - ■■C2		138
	10.4	1 381	2.2	138.87	2KJ1506 - ■EQ13 - ■■B2		138
K.88-LA90ZLB4E							
	7.5	1 922	0.86	193.24	★ 2KJ1505 - ■EQ13 - ■■H2		84
	8.2	1 756	0.94	176.5	2KJ1505 - ■EQ13 - ■■G2		84
	9.2	1 558	1.1	156.63	★ 2KJ1505 - ■EQ13 - ■■F2		84
	10.0	1 438	1.1	144.58	2KJ1505 - ■EQ13 - ■■E2		84
	11.0	1 301	1.3	130.77	★ 2KJ1505 - ■EQ13 - ■■D2		84
	12.0	1 198	1.4	120.42	2KJ1505 - ■EQ13 - ■■C2		84
	12.9	1 108	1.5	111.37	★ 2KJ1505 - ■EQ13 - ■■B2		84
	13.9	1 028	1.6	103.38	2KJ1505 - ■EQ13 - ■■A2		84
	15.8	907	1.8	91.22	★ 2KJ1505 - ■EQ13 - ■■X1		84
	17.1	838	2.0	84.21	2KJ1505 - ■EQ13 - ■■W1		84
	19.1	751	2.2	75.45	★ 2KJ1505 - ■EQ13 - ■■V1		84
	21	692	2.4	69.57	2KJ1505 - ■EQ13 - ■■U1		84
K.68-LA90ZLB4E							
	14.5	990	0.83	99.55	2KJ1504 - ■EQ13 - ■■E2		54
	15.8	904	0.91	90.89	★ 2KJ1504 - ■EQ13 - ■■D2		54
	17.3	830	0.99	83.4	2KJ1504 - ■EQ13 - ■■C2		54
	18.7	764	1.1	76.84	★ 2KJ1504 - ■EQ13 - ■■B2		54
	21	694	1.2	69.78	2KJ1504 - ■EQ13 - ■■A2		54
	23	632	1.3	63.57	★ 2KJ1504 - ■EQ13 - ■■X1		54
	25	579	1.4	58.23	2KJ1504 - ■EQ13 - ■■W1		54
	28	517	1.6	51.96	★ 2KJ1504 - ■EQ13 - ■■V1		54
	31	461	1.8	46.37	2KJ1504 - ■EQ13 - ■■U1		54
	37	392	2.1	39.39	2KJ1504 - ■EQ13 - ■■T1		54
	44	326	2.5	32.78	★ 2KJ1504 - ■EQ13 - ■■S1		54
	47	302	2.7	30.38	2KJ1504 - ■EQ13 - ■■R1		54
	126	114	3.8	11.41	2KJ1504 - ■EQ13 - ■■G1		54
K.48-LA90ZLB4E							
	26	542	0.83	54.49	★ 2KJ1503 - ■EQ13 - ■■W1		35
	29	494	0.91	49.65	2KJ1503 - ■EQ13 - ■■V1		35
	32	452	1.0	45.41	★ 2KJ1503 - ■EQ13 - ■■U1		35
	36	404	1.1	40.6	2KJ1503 - ■EQ13 - ■■T1		35
	39	371	1.2	37.28	★ 2KJ1503 - ■EQ13 - ■■S1		35
	43	334	1.3	33.6	2KJ1503 - ■EQ13 - ■■R1		35
	50	287	1.6	28.9	★ 2KJ1503 - ■EQ13 - ■■Q1		35
	52	274	1.6	27.55	★ 2KJ1503 - ■EQ13 - ■■P1		35

★ Preferred transmission ratio

Shaft designs, see page 4/83

1, 2, 3, 5, 6 or 9

Frequency and voltage, see page 8/20

1 to 9

Gearbox housing mounting position, see page 4/87

A, D, E, F, H or M

^{*)} For mounting type B3

MOTOX Geared Motors

Bevel helical geared motors

Geared motors up to 200 kW

Selection and ordering data (continued)

Power rating P_{Motor} kW (50 Hz)	Output speed n_2 (50 Hz) rpm	Output torque T_2 Nm	Service factor f_B	Gearbox ratio i_{tot}	Order No.	Order code (No. of poles)	Weight ^{*)} kg
1.5							
K.48-LA90ZLB4E							
58		247	1.8	24.85	2KJ1503 - ■EQ13 - ■■N1		35
64		224	2.0	22.54	★ 2KJ1503 - ■EQ13 - ■■M1		35
70		204	2.2	20.54	2KJ1503 - ■EQ13 - ■■L1		35
77		187	2.4	18.78	★ 2KJ1503 - ■EQ13 - ■■K1		35
86		167	2.7	16.79	2KJ1503 - ■EQ13 - ■■J1		35
93		153	2.9	15.42	★ 2KJ1503 - ■EQ13 - ■■H1		35
104		138	3.2	13.9	2KJ1503 - ■EQ13 - ■■G1		35
121		119	3.5	11.95	★ 2KJ1503 - ■EQ13 - ■■F1		35
127		113	2.6	11.35	★ 2KJ1503 - ■EQ13 - ■■E1		35
142		101	2.8	10.15	2KJ1503 - ■EQ13 - ■■D1		35
155		93	3.0	9.32	★ 2KJ1503 - ■EQ13 - ■■C1		35
171		84	3.2	8.4	2KJ1503 - ■EQ13 - ■■B1		35
199		72	3.6	7.22	★ 2KJ1503 - ■EQ13 - ■■A1		35
K.38-LA90ZLB4E							
46		314	0.80	31.59	2KJ1502 - ■EQ13 - ■■T1		31
50		286	0.88	28.72	★ 2KJ1502 - ■EQ13 - ■■S1		31
54		268	0.81	26.9	★ 2KJ1502 - ■EQ13 - ■■R1		31
60		240	0.87	24.16	2KJ1502 - ■EQ13 - ■■Q1		31
66		217	0.94	21.81	★ 2KJ1502 - ■EQ13 - ■■P1		31
73		197	1.0	19.78	2KJ1502 - ■EQ13 - ■■N1		31
80		179	1.1	17.99	★ 2KJ1502 - ■EQ13 - ■■M1		31
90		158	1.2	15.91	2KJ1502 - ■EQ13 - ■■L1		31
98		146	1.2	14.69	★ 2KJ1502 - ■EQ13 - ■■K1		31
114		126	1.4	12.65	2KJ1502 - ■EQ13 - ■■J1		31
125		114	1.5	11.5	★ 2KJ1502 - ■EQ13 - ■■H1		31
134		107	1.5	10.72	★ 2KJ1502 - ■EQ13 - ■■G1		31
148		97	1.6	9.72	2KJ1502 - ■EQ13 - ■■F1		31
163		88	1.8	8.85	★ 2KJ1502 - ■EQ13 - ■■E1		31
184		78	2.0	7.82	2KJ1502 - ■EQ13 - ■■D1		31
199		72	2.2	7.22	★ 2KJ1502 - ■EQ13 - ■■C1		31
232		62	2.5	6.22	2KJ1502 - ■EQ13 - ■■B1		31
255		56	2.6	5.65	★ 2KJ1502 - ■EQ13 - ■■A1		31
B.38-LA90ZLB4E							
51		279	0.90	28.01	2KJ1501 - ■EQ13 - ■■M2		33
57		252	0.99	25.38	2KJ1501 - ■EQ13 - ■■L2		33
64		223	1.1	22.41	2KJ1501 - ■EQ13 - ■■K2		33
71		201	1.2	20.22	2KJ1501 - ■EQ13 - ■■J2		33
79		182	1.2	18.33	2KJ1501 - ■EQ13 - ■■H2		33
86		166	1.3	16.7	2KJ1501 - ■EQ13 - ■■G2		33
94		152	1.4	15.28	2KJ1501 - ■EQ13 - ■■F2		33
105		136	1.5	13.66	2KJ1501 - ■EQ13 - ■■E2		33
115		124	1.8	12.5	2KJ1501 - ■EQ13 - ■■C2		33
130		110	2.0	11.05	2KJ1501 - ■EQ13 - ■■A2		33

★ Preferred transmission ratio

Shaft designs, see page 4/83

1, 2, 3, 5, 6 or 9

Frequency and voltage, see page 8/20

1 to 9

Gearbox housing mounting position, see page 4/87

A, D, E, F, H or M

*) For mounting type B3

MOTOX Geared Motors

Bevel helical geared motors

Geared motors up to 200 kW

Selection and ordering data (continued)

Power rating P_{Motor} kW (50 Hz)	Output speed n_2 (50 Hz) rpm	Output torque T_2 Nm	Service factor f_B	Gearbox ratio i_{tot}	Order No.	Order code (No. of poles)	Weight ^{*)} kg
1.5							
B.38-LA90ZLB4E							
144		100	2.2	10.02	2KJ1501 - ■EQ13 - ■■X1		33
163		88	2.7	8.84	2KJ1501 - ■EQ13 - ■■U1		33
180		79	3.0	7.98	2KJ1501 - ■EQ13 - ■■S1		33
199		72	3.3	7.24	2KJ1501 - ■EQ13 - ■■R1		33
219		66	3.6	6.59	2KJ1501 - ■EQ13 - ■■P1		33
239		60	3.9	6.03	2KJ1501 - ■EQ13 - ■■M1		33
267		54	3.9	5.39	2KJ1501 - ■EQ13 - ■■K1		33
291		49	4.5	4.95	2KJ1501 - ■EQ13 - ■■H1		33
323		44	4.8	4.46	2KJ1501 - ■EQ13 - ■■F1		33
375		38	5.3	3.84	2KJ1501 - ■EQ13 - ■■C1		33
B.28-LA90ZLB4E							
88		163	0.80	16.34	2KJ1500 - ■EQ13 - ■■R1		21
98		147	0.89	14.75	2KJ1500 - ■EQ13 - ■■Q1		21
108		133	0.98	13.38	2KJ1500 - ■EQ13 - ■■P1		21
118		121	1.1	12.17	2KJ1500 - ■EQ13 - ■■N1		21
134		107	1.2	10.76	2KJ1500 - ■EQ13 - ■■M1		21
145		99	1.3	9.94	2KJ1500 - ■EQ13 - ■■L1		21
168		85	1.4	8.56	2KJ1500 - ■EQ13 - ■■K1		21
185		77	1.5	7.78	2KJ1500 - ■EQ13 - ■■J1		21
192		74	1.2	7.49	2KJ1500 - ■EQ13 - ■■H1		21
213		67	1.3	6.76	2KJ1500 - ■EQ13 - ■■G1		21
235		61	1.5	6.13	2KJ1500 - ■EQ13 - ■■F1		21
258		56	1.6	5.58	2KJ1500 - ■EQ13 - ■■E1		21
291		49	1.8	4.94	2KJ1500 - ■EQ13 - ■■D1		21
316		45	1.9	4.56	2KJ1500 - ■EQ13 - ■■C1		21
367		39	2.1	3.92	2KJ1500 - ■EQ13 - ■■B1		21
403		36	2.2	3.57	2KJ1500 - ■EQ13 - ■■A1		21
2.2							
K.188-Z68-LA100ZLP4E							
0.77		25 008	0.80	1 862	★ 2KJ1541 - ■FM13 - ■■G1		765
0.92		20 831	0.96	1 551	2KJ1541 - ■FM13 - ■■F1		765
1.1		17 272	1.2	1 286	★ 2KJ1541 - ■FM13 - ■■E1		765
1.3		15 244	1.3	1 135	2KJ1541 - ■FM13 - ■■D1		765
1.5		13 001	1.5	968	★ 2KJ1541 - ■FM13 - ■■C1		765
1.8		10 838	1.8	807	2KJ1541 - ■FM13 - ■■B1		765
K.168-Z68-LA100ZLP4E							
1.4		13 874	0.97	1 033	2KJ1540 - ■FM13 - ■■H1		521
1.6		11 832	1.1	881	2KJ1540 - ■FM13 - ■■G1		521
2.0		9 871	1.4	735	2KJ1540 - ■FM13 - ■■F1		521
K.168-Z48-LA100ZLP4E							
1.2		16 560	0.82	1 233	★ 2KJ1537 - ■FM13 - ■■A1		504
K.168-LA132S8							
2.4		8 643	1.6	287.95	★ 2KJ1510 - ■HE13 - ■■H2	P02	519
2.6		7 929	1.7	264.18	2KJ1510 - ■HE13 - ■■G2	P02	519

★ Preferred transmission ratio

Shaft designs, see page 4/83

Frequency and voltage, see page 8/20

Gearbox housing mounting position, see page 4/87

^{*)} For mounting type B3

1, 2, 3, 5, 6 or 9

1 to 9

A, D, E, F, H or M

MOTOX Geared Motors

Bevel helical geared motors

Geared motors up to 200 kW

Selection and ordering data (continued)

Power rating P_{Motor} kW (50 Hz)	Output speed n_2 (50 Hz) rpm	Output torque T_2 Nm	Service factor f_B	Gearbox ratio i_{tot}	Order No.	Order code (No. of poles)	Weight ^{*)} kg
2.2	K.168-LA132S8						
	2.9	7 317	1.8	243.8	★ 2KJ1510 - ■HE13 - ■■F2	P02	519
	3.1	6 788	2.0	226.15	2KJ1510 - ■HE13 - ■■E2	P02	519
	K.148-Z68-LA100ZLP4E						
	2.1	9 213	0.87	686	2KJ1536 - ■FM13 - ■■F1		340
	K.148-LA132S8						
	2.6	8 237	0.97	274.42	★ 2KJ1508 - ■HE13 - ■■M2	P02	334
	2.8	7 550	1.1	251.55	2KJ1508 - ■HE13 - ■■L2	P02	334
	3.0	6 962	1.1	231.95	★ 2KJ1508 - ■HE13 - ■■K2	P02	334
	K.148-LA112ZMP6E						
	3.1	6 734	1.2	306.08	2KJ1508 - ■GJ13 - ■■N2	P01	324
	3.5	6 037	1.3	274.42	★ 2KJ1508 - ■GJ13 - ■■M2	P01	324
	3.8	5 534	1.4	251.55	2KJ1508 - ■GJ13 - ■■L2	P01	324
	4.1	5 103	1.6	231.95	★ 2KJ1508 - ■GJ13 - ■■K2	P01	324
	4.4	4 729	1.7	214.96	2KJ1508 - ■GJ13 - ■■J2	P01	324
	K.148-LA100ZLP4E						
	4.7	4 481	1.8	306.08	2KJ1508 - ■FM13 - ■■N2		317
	5.2	4 018	2.0	274.42	★ 2KJ1508 - ■FM13 - ■■M2		317
	K.128-LA112ZMP6E						
	3.9	5 324	0.88	242.02	★ 2KJ1507 - ■GJ13 - ■■J2	P01	224
	4.3	4 876	0.96	221.64	2KJ1507 - ■GJ13 - ■■H2	P01	224
4.7	4 492	1.0	204.18	★ 2KJ1507 - ■GJ13 - ■■G2	P01	224	
K.128-LA100ZLP4E							
4.9	4 325	1.1	295.38	★ 2KJ1507 - ■FM13 - ■■L2		217	
5.3	3 966	1.2	270.9	2KJ1507 - ■FM13 - ■■K2		217	
5.9	3 543	1.3	242.02	★ 2KJ1507 - ■FM13 - ■■J2		217	
6.5	3 245	1.4	221.64	2KJ1507 - ■FM13 - ■■H2		217	
7.0	2 989	1.6	204.18	★ 2KJ1507 - ■FM13 - ■■G2		217	
7.6	2 768	1.7	189.04	2KJ1507 - ■FM13 - ■■F2		217	
8.2	2 574	1.8	175.8	★ 2KJ1507 - ■FM13 - ■■E2		217	
8.7	2 403	2.0	164.11	2KJ1507 - ■FM13 - ■■D2		217	
K.108-LA100ZLP4E							
5.9	3 565	0.84	243.47	2KJ1506 - ■FM13 - ■■H2		146	
6.5	3 216	0.93	219.64	★ 2KJ1506 - ■FM13 - ■■G2		146	
7.1	2 944	1.0	201.11	2KJ1506 - ■FM13 - ■■F2		146	
8.0	2 619	1.1	178.9	★ 2KJ1506 - ■FM13 - ■■E2		146	
8.8	2 394	1.3	163.51	2KJ1506 - ■FM13 - ■■D2		146	
9.5	2 201	1.4	150.31	★ 2KJ1506 - ■FM13 - ■■C2		146	
10.3	2 033	1.5	138.87	2KJ1506 - ■FM13 - ■■B2		146	
11.1	1 887	1.6	128.86	★ 2KJ1506 - ■FM13 - ■■A2		146	
12.0	1 757	1.7	120.03	2KJ1506 - ■FM13 - ■■X1		146	
13.2	1 589	1.9	108.52	★ 2KJ1506 - ■FM13 - ■■W1		146	
14.4	1 463	2.1	99.9	2KJ1506 - ■FM13 - ■■V1		146	
16.0	1 316	2.3	89.85	★ 2KJ1506 - ■FM13 - ■■U1		146	

★ Preferred transmission ratio

Shaft designs, see page 4/83

Frequency and voltage, see page 8/20

Gearbox housing mounting position, see page 4/87

*) For mounting type B3

1, 2, 3, 5, 6 or 9

1 to 9

A, D, E, F, H or M

MOTOX Geared Motors

Bevel helical geared motors

Geared motors up to 200 kW

Selection and ordering data (continued)

Power rating P_{Motor} kW (50 Hz)	Output speed n_2 (50 Hz) rpm	Output torque T_2 Nm	Service factor f_B	Gearbox ratio i_{tot}	Order No.	Order code (No. of poles)	Weight ^{*)} kg
2.2							
K.88-LA100ZLP4E							
11.0		1 915	0.86	130.77	★ 2KJ1505 - FM13 - D2		92
11.9		1 763	0.94	120.42	2KJ1505 - FM13 - C2		92
12.9		1 631	1.0	111.37	★ 2KJ1505 - FM13 - B2		92
13.9		1 514	1.1	103.38	2KJ1505 - FM13 - A2		92
15.7		1 336	1.2	91.22	★ 2KJ1505 - FM13 - X1		92
17.0		1 233	1.3	84.21	2KJ1505 - FM13 - W1		92
19.0		1 105	1.5	75.45	★ 2KJ1505 - FM13 - V1		92
21		1 019	1.6	69.57	2KJ1505 - FM13 - U1		92
25		855	1.9	58.37	2KJ1505 - FM13 - T1		92
29		729	2.3	49.8	★ 2KJ1505 - FM13 - S1		92
K.68-LA100ZLP4E							
21		1 022	0.80	69.78	2KJ1504 - FM13 - A2		62
23		931	0.88	63.57	★ 2KJ1504 - FM13 - X1		62
25		853	0.96	58.23	2KJ1504 - FM13 - W1		62
28		761	1.1	51.96	★ 2KJ1504 - FM13 - V1		62
31		679	1.2	46.37	2KJ1504 - FM13 - U1		62
36		577	1.4	39.39	2KJ1504 - FM13 - T1		62
44		480	1.7	32.78	★ 2KJ1504 - FM13 - S1		62
47		445	1.8	30.38	2KJ1504 - FM13 - R1		62
51		410	2.0	27.99	★ 2KJ1504 - FM13 - Q1		62
56		372	2.2	25.42	2KJ1504 - FM13 - P1		62
62		339	2.4	23.16	★ 2KJ1504 - FM13 - N1		62
68		311	2.6	21.22	2KJ1504 - FM13 - M1		62
76		277	3.0	18.93	★ 2KJ1504 - FM13 - L1		62
85		247	3.3	16.89	2KJ1504 - FM13 - K1		62
126		167	2.6	11.41	2KJ1504 - FM13 - G1		62
138		152	2.8	10.4	★ 2KJ1504 - FM13 - F1		62
151		139	2.9	9.52	2KJ1504 - FM13 - E1		62
169		124	3.2	8.5	★ 2KJ1504 - FM13 - D1		62
189		111	3.5	7.58	2KJ1504 - FM13 - C1		62
223		94	3.9	6.44	2KJ1504 - FM13 - B1		62
268		78	4.4	5.36	★ 2KJ1504 - FM13 - A1		62
K.48-LA100ZLP4E							
38		546	0.82	37.28	★ 2KJ1503 - FM13 - S1		43
43		492	0.91	33.6	2KJ1503 - FM13 - R1		43
50		423	1.1	28.9	★ 2KJ1503 - FM13 - Q1		43
52		403	1.1	27.55	★ 2KJ1503 - FM13 - P1		43
58		364	1.2	24.85	2KJ1503 - FM13 - N1		43
64		330	1.4	22.54	★ 2KJ1503 - FM13 - M1		43
70		301	1.5	20.54	2KJ1503 - FM13 - L1		43
76		275	1.6	18.78	★ 2KJ1503 - FM13 - K1		43
86		246	1.8	16.79	2KJ1503 - FM13 - J1		43
93		226	2.0	15.42	★ 2KJ1503 - FM13 - H1		43

★ Preferred transmission ratio

Shaft designs, see page 4/83

1, 2, 3, 5, 6 or 9

Frequency and voltage, see page 8/20

1 to 9

Gearbox housing mounting position, see page 4/87

A, D, E, F, H or M

^{*)} For mounting type B3

MOTOX Geared Motors

Bevel helical geared motors

Geared motors up to 200 kW

Selection and ordering data (continued)

Power rating P_{Motor} kW (50 Hz)	Output speed n_2 (50 Hz) rpm	Output torque T_2 Nm	Service factor f_B	Gearbox ratio i_{tot}	Order No.	Order code (No. of poles)	Weight ^{*)} kg
2.2							
K.48-LA100ZLP4E							
103		204	2.2	13.9	2KJ1503 - ■ FM13 - ■■ G1		43
120		175	2.4	11.95	★ 2KJ1503 - ■ FM13 - ■■ F1		43
126		166	1.8	11.35	★ 2KJ1503 - ■ FM13 - ■■ E1		43
141		149	1.9	10.15	2KJ1503 - ■ FM13 - ■■ D1		43
154		136	2.0	9.32	★ 2KJ1503 - ■ FM13 - ■■ C1		43
171		123	2.2	8.4	2KJ1503 - ■ FM13 - ■■ B1		43
199		106	2.4	7.22	★ 2KJ1503 - ■ FM13 - ■■ A1		43
K.38-LA100ZLP4E							
98		215	0.84	14.69	★ 2KJ1502 - ■ FM13 - ■■ K1		39
113		185	0.93	12.65	2KJ1502 - ■ FM13 - ■■ J1		39
125		168	0.99	11.5	★ 2KJ1502 - ■ FM13 - ■■ H1		39
134		157	1.0	10.72	★ 2KJ1502 - ■ FM13 - ■■ G1		39
148		142	1.1	9.72	2KJ1502 - ■ FM13 - ■■ F1		39
162		130	1.2	8.85	★ 2KJ1502 - ■ FM13 - ■■ E1		39
184		114	1.4	7.82	2KJ1502 - ■ FM13 - ■■ D1		39
199		106	1.5	7.22	★ 2KJ1502 - ■ FM13 - ■■ C1		39
231		91	1.7	6.22	2KJ1502 - ■ FM13 - ■■ B1		39
254		83	1.8	5.65	★ 2KJ1502 - ■ FM13 - ■■ A1		39
B.38-LA100ZLP4E							
78		268	0.84	18.33	2KJ1501 - ■ FM13 - ■■ H2		41
86		245	0.90	16.7	2KJ1501 - ■ FM13 - ■■ G2		41
94		224	0.96	15.28	2KJ1501 - ■ FM13 - ■■ F2		41
105		200	1.0	13.66	2KJ1501 - ■ FM13 - ■■ E2		41
115		183	1.2	12.5	2KJ1501 - ■ FM13 - ■■ C2		41
130		162	1.4	11.05	2KJ1501 - ■ FM13 - ■■ A2		41
143		147	1.5	10.02	2KJ1501 - ■ FM13 - ■■ X1		41
162		129	1.8	8.84	2KJ1501 - ■ FM13 - ■■ U1		41
180		117	2.0	7.98	2KJ1501 - ■ FM13 - ■■ S1		41
198		106	2.2	7.24	2KJ1501 - ■ FM13 - ■■ R1		41
218		96	2.4	6.59	2KJ1501 - ■ FM13 - ■■ P1		41
238		88	2.7	6.03	2KJ1501 - ■ FM13 - ■■ M1		41
266		79	2.7	5.39	2KJ1501 - ■ FM13 - ■■ K1		41
290		72	3.0	4.95	2KJ1501 - ■ FM13 - ■■ H1		41
322		65	3.3	4.46	2KJ1501 - ■ FM13 - ■■ F1		41
374		56	3.6	3.84	2KJ1501 - ■ FM13 - ■■ C1		41
3							
K.188-Z68-LA100ZLD4E							
1.1		23 639	0.85	1 286	★ 2KJ1541 - ■ FP13 - ■■ E1		765
1.3		20 863	0.96	1 135	2KJ1541 - ■ FP13 - ■■ D1		765
1.5		17 794	1.1	968	★ 2KJ1541 - ■ FP13 - ■■ C1		765
1.8		14 834	1.3	807	2KJ1541 - ■ FP13 - ■■ B1		765
2.1		12 298	1.6	669	★ 2KJ1541 - ■ FP13 - ■■ A1		765

★ Preferred transmission ratio

Shaft designs, see page 4/83

1, 2, 3, 5, 6 or 9

Frequency and voltage, see page 8/20

1 to 9

Gearbox housing mounting position, see page 4/87

A, D, E, F, H or M

*) For mounting type B3

MOTOX Geared Motors

Bevel helical geared motors

Geared motors up to 200 kW

Selection and ordering data (continued)

Power rating P_{Motor} kW (50 Hz)	Output speed n_2 (50 Hz) rpm	Output torque T_2 Nm	Service factor f_B	Gearbox ratio i_{tot}	Order No.	Order code (No. of poles)	Weight *) kg
3	K.188-Z88-LA100ZLD4E						
	2.1	12 298	1.6	669	★ 2KJ1543 - ■FP13 - ■■H1		798
	2.6	10 073	2.0	548	★ 2KJ1543 - ■FP13 - ■■G1		798
K.168-Z68-LA100ZLD4E							
1.6	16 194	0.83	881	2KJ1540 - ■FP13 - ■■G1		521	
2.0	13 511	1.0	735	2KJ1540 - ■FP13 - ■■F1		521	
K.168-LA132MA8							
2.4	11 785	1.1	287.95	★ 2KJ1510 - ■HG13 - ■■H2	P02	527	
2.6	10 813	1.2	264.18	2KJ1510 - ■HG13 - ■■G2	P02	527	
2.9	9 978	1.4	243.8	★ 2KJ1510 - ■HG13 - ■■F2	P02	527	
3.1	9 256	1.5	226.15	2KJ1510 - ■HG13 - ■■E2	P02	527	
K.168-LA132SB6E							
3.3	8 684	1.6	287.95	★ 2KJ1510 - ■HF13 - ■■H2	P01	527	
3.6	7 967	1.7	264.18	2KJ1510 - ■HF13 - ■■G2	P01	527	
3.9	7 352	1.8	243.8	★ 2KJ1510 - ■HF13 - ■■F2	P01	527	
4.2	6 820	2.0	226.15	2KJ1510 - ■HF13 - ■■E2	P01	527	
K.148-LA132MA8							
3.0	9 493	0.84	231.95	★ 2KJ1508 - ■HG13 - ■■K2	P02	342	
K.148-LA132SB6E							
3.5	8 276	0.97	274.42	★ 2KJ1508 - ■HF13 - ■■M2	P01	342	
3.8	7 586	1.1	251.55	2KJ1508 - ■HF13 - ■■L2	P01	342	
4.1	6 995	1.1	231.95	★ 2KJ1508 - ■HF13 - ■■K2	P01	342	
4.4	6 483	1.2	214.96	2KJ1508 - ■HF13 - ■■J2	P01	342	
K.148-LA100ZLD4E							
4.7	6 111	1.3	306.08	2KJ1508 - ■FP13 - ■■N2		317	
5.2	5 479	1.5	274.42	★ 2KJ1508 - ■FP13 - ■■M2		317	
5.7	5 022	1.6	251.55	2KJ1508 - ■FP13 - ■■L2		317	
6.2	4 631	1.7	231.95	★ 2KJ1508 - ■FP13 - ■■K2		317	
6.7	4 292	1.9	214.96	2KJ1508 - ■FP13 - ■■J2		317	
7.0	4 080	2.0	204.38	★ 2KJ1508 - ■FP13 - ■■H2		317	
7.5	3 814	2.1	191.02	2KJ1508 - ■FP13 - ■■G2		317	
K.128-LA100ZLD4E							
4.9	5 897	0.80	295.38	★ 2KJ1507 - ■FP13 - ■■L2		217	
5.3	5 409	0.87	270.9	2KJ1507 - ■FP13 - ■■K2		217	
5.9	4 832	0.97	242.02	★ 2KJ1507 - ■FP13 - ■■J2		217	
6.5	4 425	1.1	221.64	2KJ1507 - ■FP13 - ■■H2		217	
7.0	4 076	1.2	204.18	★ 2KJ1507 - ■FP13 - ■■G2		217	
7.6	3 774	1.2	189.04	2KJ1507 - ■FP13 - ■■F2		217	
8.2	3 510	1.3	175.8	★ 2KJ1507 - ■FP13 - ■■E2		217	
8.7	3 276	1.4	164.11	2KJ1507 - ■FP13 - ■■D2		217	
9.8	2 932	1.6	146.84	★ 2KJ1507 - ■FP13 - ■■C2		217	
10.5	2 716	1.7	136.06	2KJ1507 - ■FP13 - ■■B2		217	
11.5	2 490	1.9	124.73	★ 2KJ1507 - ■FP13 - ■■A2		217	
12.6	2 283	2.1	114.34	2KJ1507 - ■FP13 - ■■X1		217	

★ Preferred transmission ratio

Shaft designs, see page 4/83

Frequency and voltage, see page 8/20

Gearbox housing mounting position, see page 4/87

*) For mounting type B3

1, 2, 3, 5, 6 or 9

1 to 9

A, D, E, F, H or M

MOTOX Geared Motors

Bevel helical geared motors

Geared motors up to 200 kW

Selection and ordering data (continued)

Power rating P_{Motor} kW (50 Hz)	Output speed n_2 (50 Hz) rpm	Output torque T_2 Nm	Service factor f_B	Gearbox ratio i_{tot}	Order No.	Order code (No. of poles)	Weight ^{*)} kg
3	K.108-LA100ZLD4E						
8.0	3 572	0.84	178.9	★	2KJ1506 - FP13 - E2	146	
8.8	3 265	0.92	163.51		2KJ1506 - FP13 - D2	146	
9.5	3 001	1.0	150.31	★	2KJ1506 - FP13 - C2	146	
10.3	2 773	1.1	138.87		2KJ1506 - FP13 - B2	146	
11.1	2 573	1.2	128.86	★	2KJ1506 - FP13 - A2	146	
12.0	2 396	1.3	120.03		2KJ1506 - FP13 - X1	146	
13.2	2 167	1.4	108.52	★	2KJ1506 - FP13 - W1	146	
14.4	1 995	1.5	99.9		2KJ1506 - FP13 - V1	146	
16.0	1 794	1.7	89.85	★	2KJ1506 - FP13 - U1	146	
17.3	1 655	1.8	82.9		2KJ1506 - FP13 - T1	146	
20	1 402	2.1	70.24		2KJ1506 - FP13 - S1	146	
	K.88-LA100ZLD4E						
13.9	2 064	0.80	103.38		2KJ1505 - FP13 - A2	92	
15.7	1 821	0.91	91.22	★	2KJ1505 - FP13 - X1	92	
17.0	1 681	0.98	84.21		2KJ1505 - FP13 - W1	92	
19.0	1 506	1.1	75.45	★	2KJ1505 - FP13 - V1	92	
21	1 389	1.2	69.57		2KJ1505 - FP13 - U1	92	
25	1 165	1.4	58.37		2KJ1505 - FP13 - T1	92	
29	994	1.7	49.8	★	2KJ1505 - FP13 - S1	92	
35	829	2.0	41.5		2KJ1505 - FP13 - Q1	92	
42	687	2.4	34.4	★	2KJ1505 - FP13 - P1	92	
46	616	2.7	30.87	★	2KJ1505 - FP13 - N1	92	
128	224	3.6	11.21		2KJ1505 - FP13 - E1	92	
	K.68-LA100ZLD4E						
31	926	0.89	46.37		2KJ1504 - FP13 - U1	62	
36	786	1.0	39.39		2KJ1504 - FP13 - T1	62	
44	654	1.3	32.78	★	2KJ1504 - FP13 - S1	62	
47	607	1.4	30.38		2KJ1504 - FP13 - R1	62	
51	559	1.5	27.99	★	2KJ1504 - FP13 - Q1	62	
56	508	1.6	25.42		2KJ1504 - FP13 - P1	62	
62	462	1.8	23.16	★	2KJ1504 - FP13 - N1	62	
68	424	1.9	21.22		2KJ1504 - FP13 - M1	62	
76	378	2.2	18.93	★	2KJ1504 - FP13 - L1	62	
85	337	2.4	16.89		2KJ1504 - FP13 - K1	62	
100	286	2.8	14.35		2KJ1504 - FP13 - J1	62	
120	238	3.2	11.94	★	2KJ1504 - FP13 - H1	62	
126	228	1.9	11.41		2KJ1504 - FP13 - G1	62	
138	208	2.0	10.4	★	2KJ1504 - FP13 - F1	62	
151	190	2.2	9.52		2KJ1504 - FP13 - E1	62	
169	170	2.3	8.5	★	2KJ1504 - FP13 - D1	62	
189	151	2.5	7.58		2KJ1504 - FP13 - C1	62	
223	129	2.8	6.44		2KJ1504 - FP13 - B1	62	
268	107	3.2	5.36	★	2KJ1504 - FP13 - A1	62	

★ Preferred transmission ratio

Shaft designs, see page 4/83

1, 2, 3, 5, 6 or 9

Frequency and voltage, see page 8/20

1 to 9

Gearbox housing mounting position, see page 4/87

A, D, E, F, H or M

*) For mounting type B3

MOTOX Geared Motors

Bevel helical geared motors

Geared motors up to 200 kW

Selection and ordering data (continued)

Power rating P_{Motor} kW (50 Hz)	Output speed n_2 (50 Hz) rpm	Output torque T_2 Nm	Service factor f_B	Gearbox ratio i_{tot}	Order No.	Order code (No. of poles)	Weight ^{*)} kg
3							
K.48-LA100ZLD4E							
52		550	0.82	27.55	★ 2KJ1503 - FP13 - P1		43
58		496	0.91	24.85	2KJ1503 - FP13 - N1		43
64		450	1.0	22.54	★ 2KJ1503 - FP13 - M1		43
70		410	1.1	20.54	2KJ1503 - FP13 - L1		43
76		375	1.2	18.78	★ 2KJ1503 - FP13 - K1		43
86		335	1.3	16.79	2KJ1503 - FP13 - J1		43
93		308	1.5	15.42	★ 2KJ1503 - FP13 - H1		43
103		278	1.6	13.9	2KJ1503 - FP13 - G1		43
120		239	1.8	11.95	★ 2KJ1503 - FP13 - F1		43
126		227	1.3	11.35	★ 2KJ1503 - FP13 - E1		43
141		203	1.4	10.15	2KJ1503 - FP13 - D1		43
154		186	1.5	9.32	★ 2KJ1503 - FP13 - C1		43
171		168	1.6	8.4	2KJ1503 - FP13 - B1		43
199		144	1.8	7.22	★ 2KJ1503 - FP13 - A1		43
K.38-LA100ZLD4E							
148		194	0.82	9.72	2KJ1502 - FP13 - F1		39
162		177	0.90	8.85	★ 2KJ1502 - FP13 - E1		39
184		156	1.0	7.82	2KJ1502 - FP13 - D1		39
199		144	1.1	7.22	★ 2KJ1502 - FP13 - C1		39
231		124	1.2	6.22	2KJ1502 - FP13 - B1		39
254		113	1.3	5.65	★ 2KJ1502 - FP13 - A1		39
B.38-LA100ZLD4E							
115		250	0.88	12.5	2KJ1501 - FP13 - C2		41
130		221	1.0	11.05	2KJ1501 - FP13 - A2		41
143		200	1.1	10.02	2KJ1501 - FP13 - X1		41
162		176	1.3	8.84	2KJ1501 - FP13 - U1		41
180		159	1.5	7.98	2KJ1501 - FP13 - S1		41
198		145	1.6	7.24	2KJ1501 - FP13 - R1		41
218		132	1.8	6.59	2KJ1501 - FP13 - P1		41
238		120	2.0	6.03	2KJ1501 - FP13 - M1		41
266		108	2.0	5.39	2KJ1501 - FP13 - K1		41
290		99	2.2	4.95	2KJ1501 - FP13 - H1		41
322		89	2.4	4.46	2KJ1501 - FP13 - F1		41
374		77	2.6	3.84	2KJ1501 - FP13 - C1		41
B.28-LA100ZLD4E							
257		111	0.81	5.58	2KJ1500 - FP13 - E1		29
290		99	0.91	4.94	2KJ1500 - FP13 - D1		29
315		91	0.96	4.56	2KJ1500 - FP13 - C1		29
366		78	1.0	3.92	2KJ1500 - FP13 - B1		29
402		71	1.1	3.57	2KJ1500 - FP13 - A1		29
4							
K.188-Z68-LA112ZMP4E							
1.5		23 702	0.84	968	★ 2KJ1541 - GJ13 - C1		772
1.8		19 760	1.0	807	2KJ1541 - GJ13 - B1		772

★ Preferred transmission ratio

Shaft designs, see page 4/83

Frequency and voltage, see page 8/20

Gearbox housing mounting position, see page 4/87

^{*)} For mounting type B3

1, 2, 3, 5, 6 or 9

1 to 9

A, D, E, F, H or M

MOTOX Geared Motors

Bevel helical geared motors

Geared motors up to 200 kW

Selection and ordering data (continued)

Power rating P_{Motor} kW (50 Hz)	Output speed n_2 (50 Hz) rpm	Output torque T_2 Nm	Service factor f_B	Gearbox ratio i_{tot}	Order No.	Order code (No. of poles)	Weight *) kg
4	K.188-Z68-LA112ZMP4E						
	2.2	16 381	1.2	669	★ 2KJ1541 - GJ13 - A1		772
K.188-Z88-LA112ZMP4E							
2.2	16 381	1.2	669	★ 2KJ1543 - GJ13 - H1		805	
2.6	13 418	1.5	548	★ 2KJ1543 - GJ13 - G1		805	
2.9	12 316	1.6	503	2KJ1543 - GJ13 - F1		805	
3.4	10 504	1.9	429	★ 2KJ1543 - GJ13 - E1		805	
K.188-LA160M8							
3.7	10 223	2.0	191.34	2KJ1511 - JE13 - U1	P02	800	
K.168-LA132ZMB6E							
3.3	11 579	1.2	287.95	★ 2KJ1510 - HJ13 - H2	P01	527	
3.6	10 623	1.3	264.18	2KJ1510 - HJ13 - G2	P01	527	
3.9	9 803	1.4	243.8	★ 2KJ1510 - HJ13 - F2	P01	527	
4.2	9 094	1.5	226.15	2KJ1510 - HJ13 - E2	P01	527	
4.5	8 578	1.6	213.33	★ 2KJ1510 - HJ13 - D2	P01	527	
4.8	8 024	1.7	199.54	2KJ1510 - HJ13 - C2	P01	527	
K.148-LA132ZMB6E							
4.1	9 327	0.86	231.95	★ 2KJ1508 - HJ13 - K2	P01	342	
4.4	8 644	0.93	214.96	2KJ1508 - HJ13 - J2	P01	342	
K.148-LA112ZMP4E							
4.7	8 120	0.99	306.08	2KJ1508 - GJ13 - N2		324	
5.2	7 280	1.1	274.42	★ 2KJ1508 - GJ13 - M2		324	
5.7	6 673	1.2	251.55	2KJ1508 - GJ13 - L2		324	
6.2	6 153	1.3	231.95	★ 2KJ1508 - GJ13 - K2		324	
6.7	5 702	1.4	214.96	2KJ1508 - GJ13 - J2		324	
7.0	5 422	1.5	204.38	★ 2KJ1508 - GJ13 - H2		324	
7.5	5 067	1.6	191.02	2KJ1508 - GJ13 - G2		324	
8.5	4 470	1.8	168.5	★ 2KJ1508 - GJ13 - F2		324	
9.1	4 216	1.9	158.93	2KJ1508 - GJ13 - E2		324	
10.1	3 778	2.1	142.41	★ 2KJ1508 - GJ13 - D2		324	
K.128-LA112ZMP4E							
6.5	5 880	0.80	221.64	2KJ1507 - GJ13 - H2		224	
7.1	5 416	0.87	204.18	★ 2KJ1507 - GJ13 - G2		224	
7.6	5 015	0.94	189.04	2KJ1507 - GJ13 - F2		224	
8.2	4 664	1.0	175.8	★ 2KJ1507 - GJ13 - E2		224	
8.8	4 353	1.1	164.11	2KJ1507 - GJ13 - D2		224	
9.8	3 895	1.2	146.84	★ 2KJ1507 - GJ13 - C2		224	
10.6	3 609	1.3	136.06	2KJ1507 - GJ13 - B2		224	
11.5	3 309	1.4	124.73	★ 2KJ1507 - GJ13 - A2		224	
12.6	3 033	1.5	114.34	2KJ1507 - GJ13 - X1		224	
14.8	2 585	1.8	97.44	2KJ1507 - GJ13 - W1		224	
16.7	2 281	2.1	85.98	★ 2KJ1507 - GJ13 - V1		224	
K.108-LA112ZMP4E							
10.4	3 684	0.81	138.87	2KJ1506 - GJ13 - B2		153	

★ Preferred transmission ratio

Shaft designs, see page 4/83

1, 2, 3, 5, 6 or 9

Frequency and voltage, see page 8/20

1 to 9

Gearbox housing mounting position, see page 4/87

A, D, E, F, H or M

*) For mounting type B3

MOTOX Geared Motors

Bevel helical geared motors

Geared motors up to 200 kW

Selection and ordering data (continued)

Power rating P_{Motor} kW (50 Hz)	Output speed n_2 (50 Hz) rpm	Output torque T_2 Nm	Service factor f_B	Gearbox ratio i_{tot}	Order No.	Order code (No. of poles)	Weight ^{*)} kg
4							
K.108-LA112ZMP4E							
11.2	3 418	0.88	128.86	★ 2KJ1506 - ■GJ13 - ■■A2		153	
12.0	3 184	0.94	120.03	2KJ1506 - ■GJ13 - ■■X1		153	
13.3	2 879	1.0	108.52	★ 2KJ1506 - ■GJ13 - ■■W1		153	
14.4	2 650	1.1	99.9	2KJ1506 - ■GJ13 - ■■V1		153	
16.0	2 384	1.3	89.85	★ 2KJ1506 - ■GJ13 - ■■U1		153	
17.4	2 199	1.4	82.9	2KJ1506 - ■GJ13 - ■■T1		153	
20	1 863	1.6	70.24	2KJ1506 - ■GJ13 - ■■S1		153	
24	1 624	1.8	61.22	★ 2KJ1506 - ■GJ13 - ■■R1		153	
28	1 382	2.2	52.08	2KJ1506 - ■GJ13 - ■■Q1		153	
32	1 179	2.5	44.44	★ 2KJ1506 - ■GJ13 - ■■P1		153	
K.88-LA112ZMP4E							
19.1	2 002	0.82	75.45	★ 2KJ1505 - ■GJ13 - ■■V1		99	
21	1 846	0.89	69.57	2KJ1505 - ■GJ13 - ■■U1		99	
25	1 548	1.1	58.37	2KJ1505 - ■GJ13 - ■■T1		99	
29	1 321	1.2	49.8	★ 2KJ1505 - ■GJ13 - ■■S1		99	
35	1 101	1.5	41.5	2KJ1505 - ■GJ13 - ■■Q1		99	
42	913	1.8	34.4	★ 2KJ1505 - ■GJ13 - ■■P1		99	
47	819	2.0	30.87	★ 2KJ1505 - ■GJ13 - ■■N1		99	
50	756	2.2	28.5	2KJ1505 - ■GJ13 - ■■M1		99	
56	677	2.4	25.53	★ 2KJ1505 - ■GJ13 - ■■L1		99	
61	624	2.6	23.54	2KJ1505 - ■GJ13 - ■■K1		99	
73	524	3.0	19.75	2KJ1505 - ■GJ13 - ■■J1		99	
128	297	2.7	11.21	2KJ1505 - ■GJ13 - ■■E1		99	
153	250	3.1	9.41	2KJ1505 - ■GJ13 - ■■D1		99	
179	213	3.4	8.03	★ 2KJ1505 - ■GJ13 - ■■C1		99	
215	177	3.9	6.69	2KJ1505 - ■GJ13 - ■■B1		99	
260	147	4.4	5.54	★ 2KJ1505 - ■GJ13 - ■■A1		99	
K.68-LA112ZMP4E							
44	870	0.94	32.78	★ 2KJ1504 - ■GJ13 - ■■S1		69	
47	806	1.0	30.38	2KJ1504 - ■GJ13 - ■■R1		69	
51	743	1.1	27.99	★ 2KJ1504 - ■GJ13 - ■■Q1		69	
57	674	1.2	25.42	2KJ1504 - ■GJ13 - ■■P1		69	
62	614	1.3	23.16	★ 2KJ1504 - ■GJ13 - ■■N1		69	
68	563	1.5	21.22	2KJ1504 - ■GJ13 - ■■M1		69	
76	502	1.6	18.93	★ 2KJ1504 - ■GJ13 - ■■L1		69	
85	448	1.8	16.89	2KJ1504 - ■GJ13 - ■■K1		69	
100	381	2.1	14.35	2KJ1504 - ■GJ13 - ■■J1		69	
121	317	2.4	11.94	★ 2KJ1504 - ■GJ13 - ■■H1		69	
126	303	1.4	11.41	2KJ1504 - ■GJ13 - ■■G1		69	
138	276	1.5	10.4	★ 2KJ1504 - ■GJ13 - ■■F1		69	
151	253	1.6	9.52	2KJ1504 - ■GJ13 - ■■E1		69	
169	225	1.8	8.5	★ 2KJ1504 - ■GJ13 - ■■D1		69	
190	201	1.9	7.58	2KJ1504 - ■GJ13 - ■■C1		69	

★ Preferred transmission ratio

Shaft designs, see page 4/83

1, 2, 3, 5, 6 or 9

Frequency and voltage, see page 8/20

1 to 9

Gearbox housing mounting position, see page 4/87

A, D, E, F, H or M

*) For mounting type B3

MOTOX Geared Motors

Bevel helical geared motors

Geared motors up to 200 kW

Selection and ordering data (continued)

Power rating P_{Motor} kW (50 Hz)	Output speed n_2 (50 Hz) rpm	Output torque T_2 Nm	Service factor f_B	Gearbox ratio i_{tot}	Order No.	Order code (No. of poles)	Weight ^{*)} kg
4	K.68-LA112ZMP4E						
	224	171	2.1	6.44	2KJ1504 - ■GJ13 - ■■B1		69
	269	142	2.4	5.36	★ 2KJ1504 - ■GJ13 - ■■A1		69
	K.48-LA112ZMP4E						
	70	545	0.83	20.54	2KJ1503 - ■GJ13 - ■■L1		50
	77	498	0.90	18.78	★ 2KJ1503 - ■GJ13 - ■■K1		50
	86	445	1.0	16.79	2KJ1503 - ■GJ13 - ■■J1		50
	93	409	1.1	15.42	★ 2KJ1503 - ■GJ13 - ■■H1		50
	104	369	1.2	13.9	2KJ1503 - ■GJ13 - ■■G1		50
	121	317	1.3	11.95	★ 2KJ1503 - ■GJ13 - ■■F1		50
	127	301	0.97	11.35	★ 2KJ1503 - ■GJ13 - ■■E1		50
	142	269	1.1	10.15	2KJ1503 - ■GJ13 - ■■D1		50
	155	247	1.1	9.32	★ 2KJ1503 - ■GJ13 - ■■C1		50
	171	223	1.2	8.4	2KJ1503 - ■GJ13 - ■■B1		50
	199	192	1.3	7.22	★ 2KJ1503 - ■GJ13 - ■■A1		50
	K.38-LA112ZMP4E						
	199	192	0.83	7.22	★ 2KJ1502 - ■GJ13 - ■■C1		46
	232	165	0.92	6.22	2KJ1502 - ■GJ13 - ■■B1		46
	255	150	0.99	5.65	★ 2KJ1502 - ■GJ13 - ■■A1		46
5.5	K.188-Z68-LA132SP4E						
	2.2	22 492	0.89	669	★ 2KJ1541 - ■HG13 - ■■A1		790
	K.188-Z88-LA132SP4E						
	2.2	22 492	0.89	669	★ 2KJ1543 - ■HG13 - ■■H1		823
	2.6	18 424	1.1	548	★ 2KJ1543 - ■HG13 - ■■G1		823
	2.9	16 911	1.2	503	2KJ1543 - ■HG13 - ■■F1		823
	3.4	14 423	1.4	429	★ 2KJ1543 - ■HG13 - ■■E1		823
	K.188-LA160MB8						
	3.7	14 155	1.4	191.34	2KJ1511 - ■JF13 - ■■U1	P02	800
	4.1	12 782	1.6	172.78	2KJ1511 - ■JF13 - ■■T1	P02	800
	4.4	11 979	1.7	161.92	2KJ1511 - ■JF13 - ■■S1	P02	800
	K.188-LA132ZMD6E						
	5.0	10 469	1.9	191.34	2KJ1511 - ■HK13 - ■■U1	P01	776
	5.6	9 453	2.1	172.78	2KJ1511 - ■HK13 - ■■T1	P01	776
	K.168-LA132ZMD6E						
	3.3	15 755	0.86	287.95	★ 2KJ1510 - ■HK13 - ■■H2	P01	527
	3.6	14 454	0.93	264.18	2KJ1510 - ■HK13 - ■■G2	P01	527
	3.9	13 339	1.0	243.8	★ 2KJ1510 - ■HK13 - ■■F2	P01	527
	4.2	12 373	1.1	226.15	2KJ1510 - ■HK13 - ■■E2	P01	527
	4.5	11 672	1.2	213.33	★ 2KJ1510 - ■HK13 - ■■D2	P01	527
	4.8	10 918	1.2	199.54	2KJ1510 - ■HK13 - ■■C2	P01	527
	K.168-LA132SP4E						
	5.0	10 467	1.3	287.95	★ 2KJ1510 - ■HG13 - ■■H2		527
	5.5	9 603	1.4	264.18	2KJ1510 - ■HG13 - ■■G2		527

★ Preferred transmission ratio

Shaft designs, see page 4/83

Frequency and voltage, see page 8/20

Gearbox housing mounting position, see page 4/87

*) For mounting type B3

1, 2, 3, 5, 6 or 9

1 to 9

A, D, E, F, H or M

MOTOX Geared Motors

Bevel helical geared motors

Geared motors up to 200 kW

Selection and ordering data (continued)

Power rating P_{Motor} kW (50 Hz)	Output speed n_2 (50 Hz) rpm	Output torque T_2 Nm	Service factor f_B	Gearbox ratio i_{tot}	Order No.	Order code (No. of poles)	Weight ^{*)} kg
5.5							
K.168-LA132SP4E							
	5.9	8 862	1.5	243.8	★ 2KJ1510 - ■ HG13 - ■■■ F2		527
	6.4	8 220	1.6	226.15	2KJ1510 - ■ HG13 - ■■■ E2		527
	6.8	7 754	1.7	213.33	★ 2KJ1510 - ■ HG13 - ■■■ D2		527
	7.2	7 253	1.9	199.54	2KJ1510 - ■ HG13 - ■■■ C2		527
	8.1	6 449	2.1	177.43	★ 2KJ1510 - ■ HG13 - ■■■ B2		527
K.148-LA132SP4E							
	5.3	9 975	0.80	274.42	★ 2KJ1508 - ■ HG13 - ■■■ M2		342
	5.7	9 144	0.87	251.55	2KJ1508 - ■ HG13 - ■■■ L2		342
	6.2	8 431	0.95	231.95	★ 2KJ1508 - ■ HG13 - ■■■ K2		342
	6.7	7 814	1.0	214.96	2KJ1508 - ■ HG13 - ■■■ J2		342
	7.1	7 429	1.1	204.38	★ 2KJ1508 - ■ HG13 - ■■■ H2		342
	7.6	6 943	1.2	191.02	2KJ1508 - ■ HG13 - ■■■ G2		342
	8.6	6 125	1.3	168.5	★ 2KJ1508 - ■ HG13 - ■■■ F2		342
	9.1	5 777	1.4	158.93	2KJ1508 - ■ HG13 - ■■■ E2		342
	10.1	5 177	1.5	142.41	★ 2KJ1508 - ■ HG13 - ■■■ D2		342
	11.0	4 780	1.7	131.49	2KJ1508 - ■ HG13 - ■■■ C2		342
	12.9	4 084	2.0	112.35	2KJ1508 - ■ HG13 - ■■■ B2		342
	14.2	3 691	2.2	101.53	★ 2KJ1508 - ■ HG13 - ■■■ A2		342
	14.8	3 556	2.2	97.82	2KJ1508 - ■ HG13 - ■■■ X1		342
K.128-LA132SP4E							
	9.8	5 338	0.88	146.84	★ 2KJ1507 - ■ HG13 - ■■■ C2		242
	10.6	4 946	0.95	136.06	2KJ1507 - ■ HG13 - ■■■ B2		242
	11.6	4 534	1.0	124.73	★ 2KJ1507 - ■ HG13 - ■■■ A2		242
	12.6	4 156	1.1	114.34	2KJ1507 - ■ HG13 - ■■■ X1		242
	14.8	3 542	1.3	97.44	2KJ1507 - ■ HG13 - ■■■ W1		242
	16.8	3 125	1.5	85.98	★ 2KJ1507 - ■ HG13 - ■■■ V1		242
	19.7	2 660	1.8	73.18	2KJ1507 - ■ HG13 - ■■■ U1		242
	23	2 305	2.0	63.41	★ 2KJ1507 - ■ HG13 - ■■■ T1		242
	27	1 940	2.4	53.36	★ 2KJ1507 - ■ HG13 - ■■■ S1		242
K.108-LA132SP4E							
	14.5	3 631	0.83	99.9	2KJ1506 - ■ HG13 - ■■■ V1		171
	16.1	3 266	0.92	89.85	★ 2KJ1506 - ■ HG13 - ■■■ U1		171
	17.4	3 013	1.0	82.9	2KJ1506 - ■ HG13 - ■■■ T1		171
	21	2 553	1.2	70.24	2KJ1506 - ■ HG13 - ■■■ S1		171
	24	2 225	1.3	61.22	★ 2KJ1506 - ■ HG13 - ■■■ R1		171
	28	1 893	1.6	52.08	2KJ1506 - ■ HG13 - ■■■ Q1		171
	32	1 615	1.9	44.44	★ 2KJ1506 - ■ HG13 - ■■■ P1		171
	40	1 325	2.1	36.44	★ 2KJ1506 - ■ HG13 - ■■■ N1		171
	43	1 231	2.4	33.87	★ 2KJ1506 - ■ HG13 - ■■■ M1		171
	46	1 136	2.6	31.25	2KJ1506 - ■ HG13 - ■■■ L1		171
K.88-LA132SP4E							
	29	1 810	0.91	49.8	★ 2KJ1505 - ■ HG13 - ■■■ S1		117
	35	1 509	1.1	41.5	2KJ1505 - ■ HG13 - ■■■ Q1		117

★ Preferred transmission ratio

Shaft designs, see page 4/83

Frequency and voltage, see page 8/20

Gearbox housing mounting position, see page 4/87

^{*)} For mounting type B3

1, 2, 3, 5, 6 or 9

1 to 9

A, D, E, F, H or M

MOTOX Geared Motors

Bevel helical geared motors

Geared motors up to 200 kW

Selection and ordering data (continued)

Power rating P_{Motor} kW (50 Hz)	Output speed n_2 (50 Hz) rpm	Output torque T_2 Nm	Service factor f_B	Gearbox ratio i_{tot}	Order No.	Order code (No. of poles)	Weight ^{*)} kg
5.5							
K.88-LA132SP4E							
42	1 250	1.3	34.4	★	2KJ1505 - ■HG13 - ■■P1		117
47	1 122	1.5	30.87	★	2KJ1505 - ■HG13 - ■■N1		117
51	1 036	1.6	28.5		2KJ1505 - ■HG13 - ■■M1		117
57	928	1.8	25.53	★	2KJ1505 - ■HG13 - ■■L1		117
61	856	1.9	23.54		2KJ1505 - ■HG13 - ■■K1		117
73	718	2.2	19.75		2KJ1505 - ■HG13 - ■■J1		117
86	612	2.4	16.85	★	2KJ1505 - ■HG13 - ■■H1		117
103	510	2.8	14.04		2KJ1505 - ■HG13 - ■■G1		117
124	423	3.2	11.64	★	2KJ1505 - ■HG13 - ■■F1		117
129	407	2.0	11.21		2KJ1505 - ■HG13 - ■■E1		117
154	342	2.2	9.41		2KJ1505 - ■HG13 - ■■D1		117
180	292	2.5	8.03	★	2KJ1505 - ■HG13 - ■■C1		117
216	243	2.8	6.69		2KJ1505 - ■HG13 - ■■B1		117
261	201	3.2	5.54	★	2KJ1505 - ■HG13 - ■■A1		117
K.68-LA132SP4E							
52	1 017	0.81	27.99	★	2KJ1504 - ■HG13 - ■■Q1		87
57	924	0.89	25.42		2KJ1504 - ■HG13 - ■■P1		87
62	842	0.97	23.16	★	2KJ1504 - ■HG13 - ■■N1		87
68	771	1.1	21.22		2KJ1504 - ■HG13 - ■■M1		87
76	688	1.2	18.93	★	2KJ1504 - ■HG13 - ■■L1		87
86	614	1.3	16.89		2KJ1504 - ■HG13 - ■■K1		87
101	522	1.6	14.35		2KJ1504 - ■HG13 - ■■J1		87
121	434	1.8	11.94	★	2KJ1504 - ■HG13 - ■■H1		87
127	415	1.0	11.41		2KJ1504 - ■HG13 - ■■G1		87
139	378	1.1	10.4	★	2KJ1504 - ■HG13 - ■■F1		87
152	346	1.2	9.52		2KJ1504 - ■HG13 - ■■E1		87
170	309	1.3	8.5	★	2KJ1504 - ■HG13 - ■■D1		87
191	276	1.4	7.58		2KJ1504 - ■HG13 - ■■C1		87
224	234	1.6	6.44		2KJ1504 - ■HG13 - ■■B1		87
270	195	1.8	5.36	★	2KJ1504 - ■HG13 - ■■A1		87
7.5							
K.188-Z88-LA132ZMP4E							
2.7	24 988	0.80	548	★	2KJ1543 - ■HK13 - ■■G1		823
2.9	22 936	0.87	503		2KJ1543 - ■HK13 - ■■F1		823
3.4	19 561	1.0	429	★	2KJ1543 - ■HK13 - ■■E1		823
K.188-LA160LB8							
3.7	19 167	1.0	191.34		2KJ1511 - ■JJ13 - ■■U1	P02	812
4.1	17 308	1.2	172.78		2KJ1511 - ■JJ13 - ■■T1	P02	812
4.4	16 220	1.2	161.92		2KJ1511 - ■JJ13 - ■■S1	P02	812
K.188-LA160MD6E							
5.0	14 202	1.4	191.34		2KJ1511 - ■JJ13 - ■■U1	P01	812
5.6	12 824	1.6	172.78		2KJ1511 - ■JJ13 - ■■T1	P01	812
6.0	12 018	1.7	161.92		2KJ1511 - ■JJ13 - ■■S1	P01	812
6.9	10 323	1.9	139.08	★	2KJ1511 - ■JJ13 - ■■R1	P01	812

★ Preferred transmission ratio

Shaft designs, see page 4/83

Frequency and voltage, see page 8/20

Gearbox housing mounting position, see page 4/87

*) For mounting type B3

1, 2, 3, 5, 6 or 9

1 to 9

A, D, E, F, H or M

MOTOX Geared Motors

Bevel helical geared motors

Geared motors up to 200 kW

Selection and ordering data (continued)

Power rating P_{Motor} kW (50 Hz)	Output speed n_2 (50 Hz) rpm	Output torque T_2 Nm	Service factor f_B	Gearbox ratio i_{tot}	Order No.	Order code (No. of poles)	Weight ^{*)} kg
7.5	K.188-LA132ZMP4E						
	7.6	9 419	2.1	191.34	2KJ1511 - ■ HK13 - ■■ U1		776
	K.168-LA160MD6E						
	4.5	15 834	0.85	213.33	★ 2KJ1510 - ■ JJ13 - ■■ D2	P01	563
	4.8	14 810	0.91	199.54	2KJ1510 - ■ JJ13 - ■■ C2	P01	563
	K.168-LA132ZMP4E						
	5.1	14 175	0.95	287.95	★ 2KJ1510 - ■ HK13 - ■■ H2		527
	5.5	13 005	1.0	264.18	2KJ1510 - ■ HK13 - ■■ G2		527
	6.0	12 001	1.1	243.8	★ 2KJ1510 - ■ HK13 - ■■ F2		527
	6.4	11 133	1.2	226.15	2KJ1510 - ■ HK13 - ■■ E2		527
	6.8	10 502	1.3	213.33	★ 2KJ1510 - ■ HK13 - ■■ D2		527
	7.3	9 823	1.4	199.54	2KJ1510 - ■ HK13 - ■■ C2		527
	8.2	8 734	1.5	177.43	★ 2KJ1510 - ■ HK13 - ■■ B2		527
	8.7	8 245	1.6	167.5	2KJ1510 - ■ HK13 - ■■ A2		527
	9.7	7 402	1.8	150.36	★ 2KJ1510 - ■ HK13 - ■■ X1		527
	10.5	6 793	2.0	138	2KJ1510 - ■ HK13 - ■■ W1		527
	K.148-LA132ZMP4E						
	7.1	10 061	0.80	204.38	★ 2KJ1508 - ■ HK13 - ■■ H2		342
	7.6	9 403	0.85	191.02	2KJ1508 - ■ HK13 - ■■ G2		342
8.6	8 295	0.96	168.5	★ 2KJ1508 - ■ HK13 - ■■ F2		342	
9.2	7 824	1.0	158.93	2KJ1508 - ■ HK13 - ■■ E2		342	
10.2	7 010	1.1	142.41	★ 2KJ1508 - ■ HK13 - ■■ D2		342	
11.1	6 473	1.2	131.49	2KJ1508 - ■ HK13 - ■■ C2		342	
13.0	5 531	1.4	112.35	2KJ1508 - ■ HK13 - ■■ B2		342	
14.3	4 998	1.6	101.53	★ 2KJ1508 - ■ HK13 - ■■ A2		342	
14.9	4 815	1.7	97.82	2KJ1508 - ■ HK13 - ■■ X1		342	
17.2	4 165	1.9	84.61	2KJ1508 - ■ HK13 - ■■ W1		342	
19.7	3 633	2.2	73.8	★ 2KJ1508 - ■ HK13 - ■■ V1		342	
K.128-LA132ZMP4E							
12.7	5 629	0.84	114.34	2KJ1507 - ■ HK13 - ■■ X1		242	
14.9	4 797	0.98	97.44	2KJ1507 - ■ HK13 - ■■ W1		242	
16.9	4 233	1.1	85.98	★ 2KJ1507 - ■ HK13 - ■■ V1		242	
19.9	3 602	1.3	73.18	2KJ1507 - ■ HK13 - ■■ U1		242	
23	3 121	1.5	63.41	★ 2KJ1507 - ■ HK13 - ■■ T1		242	
27	2 627	1.8	53.36	★ 2KJ1507 - ■ HK13 - ■■ S1		242	
30	2 370	2.0	48.14	2KJ1507 - ■ HK13 - ■■ R1		242	
35	2 037	2.3	41.38	★ 2KJ1507 - ■ HK13 - ■■ Q1		242	
37	1 929	2.4	39.19	★ 2KJ1507 - ■ HK13 - ■■ P1		242	
40	1 768	2.7	35.92	2KJ1507 - ■ HK13 - ■■ N1		242	
K.108-LA132ZMP4E							
21	3 458	0.87	70.24	2KJ1506 - ■ HK13 - ■■ S1		171	
24	3 014	1.0	61.22	★ 2KJ1506 - ■ HK13 - ■■ R1		171	
28	2 564	1.2	52.08	2KJ1506 - ■ HK13 - ■■ Q1		171	
33	2 188	1.4	44.44	★ 2KJ1506 - ■ HK13 - ■■ P1		171	

★ Preferred transmission ratio

Shaft designs, see page 4/83

Frequency and voltage, see page 8/20

Gearbox housing mounting position, see page 4/87

^{*)} For mounting type B3

1, 2, 3, 5, 6 or 9

1 to 9

A, D, E, F, H or M

MOTOX Geared Motors

Bevel helical geared motors

Geared motors up to 200 kW

Selection and ordering data (continued)

Power rating P_{Motor} kW (50 Hz)	Output speed n_2 (50 Hz) rpm	Output torque T_2 Nm	Service factor f_B	Gearbox ratio i_{tot}	Order No.	Order code (No. of poles)	Weight ^{*)} kg	
7.5	K.108-LA132ZMP4E							
	40	1 794	1.6	36.44	★ 2KJ1506 - ■ HK13 - ■■■ N1		171	
	43	1 667	1.8	33.87	★ 2KJ1506 - ■ HK13 - ■■■ M1		171	
	47	1 538	2.0	31.25	2KJ1506 - ■ HK13 - ■■■ L1		171	
	55	1 304	2.2	26.48	2KJ1506 - ■ HK13 - ■■■ K1		171	
	63	1 136	2.4	23.08	★ 2KJ1506 - ■ HK13 - ■■■ J1		171	
	74	966	2.7	19.63	2KJ1506 - ■ HK13 - ■■■ G1		171	
	87	825	3.0	16.75	★ 2KJ1506 - ■ HK13 - ■■■ F1		171	
	106	676	3.5	13.74	★ 2KJ1506 - ■ HK13 - ■■■ E1		171	
	113	635	3.1	12.9	★ 2KJ1506 - ■ HK13 - ■■■ D1		171	
	133	540	3.4	10.97	2KJ1506 - ■ HK13 - ■■■ C1		171	
	155	461	3.8	9.36	★ 2KJ1506 - ■ HK13 - ■■■ B1		171	
		K.88-LA132ZMP4E						
		35	2 043	0.81	41.5	2KJ1505 - ■ HK13 - ■■■ Q1		117
		42	1 693	0.97	34.4	★ 2KJ1505 - ■ HK13 - ■■■ P1		117
47		1 520	1.1	30.87	★ 2KJ1505 - ■ HK13 - ■■■ N1		117	
51		1 403	1.2	28.5	2KJ1505 - ■ HK13 - ■■■ M1		117	
57		1 257	1.3	25.53	★ 2KJ1505 - ■ HK13 - ■■■ L1		117	
62		1 159	1.4	23.54	2KJ1505 - ■ HK13 - ■■■ K1		117	
74		972	1.6	19.75	2KJ1505 - ■ HK13 - ■■■ J1		117	
86		829	1.8	16.85	★ 2KJ1505 - ■ HK13 - ■■■ H1		117	
104		691	2.1	14.04	2KJ1505 - ■ HK13 - ■■■ G1		117	
125		573	2.3	11.64	★ 2KJ1505 - ■ HK13 - ■■■ F1		117	
130		552	1.5	11.21	2KJ1505 - ■ HK13 - ■■■ E1		117	
155		463	1.6	9.41	2KJ1505 - ■ HK13 - ■■■ D1		117	
181		395	1.8	8.03	★ 2KJ1505 - ■ HK13 - ■■■ C1		117	
217		329	2.1	6.69	2KJ1505 - ■ HK13 - ■■■ B1		117	
263	273	2.4	5.54	★ 2KJ1505 - ■ HK13 - ■■■ A1		117		
	K.68-LA132ZMP4E							
	77	932	0.88	18.93	★ 2KJ1504 - ■ HK13 - ■■■ L1		87	
	86	831	0.99	16.89	2KJ1504 - ■ HK13 - ■■■ K1		87	
	101	706	1.1	14.35	2KJ1504 - ■ HK13 - ■■■ J1		87	
	122	588	1.3	11.94	★ 2KJ1504 - ■ HK13 - ■■■ H1		87	
	140	512	0.82	10.4	★ 2KJ1504 - ■ HK13 - ■■■ F1		87	
	153	469	0.88	9.52	2KJ1504 - ■ HK13 - ■■■ E1		87	
	171	418	0.95	8.5	★ 2KJ1504 - ■ HK13 - ■■■ D1		87	
	192	373	1.0	7.58	2KJ1504 - ■ HK13 - ■■■ C1		87	
	226	317	1.2	6.44	2KJ1504 - ■ HK13 - ■■■ B1		87	
	271	264	1.3	5.36	★ 2KJ1504 - ■ HK13 - ■■■ A1		87	
9.2	K.188-Z88-LA160MB4E							
	3.4	24 013	0.83	429	★ 2KJ1543 - ■ JP13 - ■■■ E1		847	
	K.188-LA160MB4E							
7.6	11 554	1.7	191.34	2KJ1511 - ■ JP13 - ■■■ U1		800		
8.4	10 433	1.9	172.78	2KJ1511 - ■ JP13 - ■■■ T1		800		

★ Preferred transmission ratio

Shaft designs, see page 4/83

Frequency and voltage, see page 8/20

Gearbox housing mounting position, see page 4/87

*) For mounting type B3

1, 2, 3, 5, 6 or 9

1 to 9

A, D, E, F, H or M

MOTOX Geared Motors

Bevel helical geared motors

Geared motors up to 200 kW

Selection and ordering data (continued)

Power rating P_{Motor} kW (50 Hz)	Output speed n_2 (50 Hz) rpm	Output torque T_2 Nm	Service factor f_B	Gearbox ratio i_{tot}	Order No.	Order code (No. of poles)	Weight ^{*)} kg
9.2	K.188-LA160MB4E						
	9.0	9 778	2.0	161.92	2KJ1511 - ■JP13 - ■■S1		800
	K.168-LA160MB4E						
	6.8	12 882	1.0	213.33	★ 2KJ1510 - ■JP13 - ■■D2		551
	7.3	12 049	1.1	199.54	2KJ1510 - ■JP13 - ■■C2		551
	8.2	10 714	1.3	177.43	★ 2KJ1510 - ■JP13 - ■■B2		551
	8.7	10 114	1.3	167.5	2KJ1510 - ■JP13 - ■■A2		551
	9.7	9 079	1.5	150.36	★ 2KJ1510 - ■JP13 - ■■X1		551
	10.5	8 333	1.6	138	2KJ1510 - ■JP13 - ■■W1		551
	12.2	7 191	1.9	119.09	2KJ1510 - ■JP13 - ■■V1		551
	14.0	6 291	2.1	104.18	2KJ1510 - ■JP13 - ■■U1		551
	K.148-LA160MB4E						
	9.2	9 597	0.83	158.93	2KJ1508 - ■JP13 - ■■E2		366
	10.2	8 599	0.93	142.41	★ 2KJ1508 - ■JP13 - ■■D2		366
	11.1	7 940	1.0	131.49	2KJ1508 - ■JP13 - ■■C2		366
13.0	6 784	1.2	112.35	2KJ1508 - ■JP13 - ■■B2		366	
14.3	6 131	1.3	101.53	★ 2KJ1508 - ■JP13 - ■■A2		366	
14.9	5 907	1.4	97.82	2KJ1508 - ■JP13 - ■■X1		366	
17.2	5 109	1.6	84.61	2KJ1508 - ■JP13 - ■■W1		366	
19.7	4 456	1.8	73.8	★ 2KJ1508 - ■JP13 - ■■V1		366	
23	3 814	2.1	63.16	★ 2KJ1508 - ■JP13 - ■■U1		366	
26	3 416	2.3	56.57	2KJ1508 - ■JP13 - ■■T1		366	
K.128-LA160MB4E							
14.9	5 884	0.80	97.44	2KJ1507 - ■JP13 - ■■W1		266	
16.9	5 192	0.91	85.98	★ 2KJ1507 - ■JP13 - ■■V1		266	
19.9	4 419	1.1	73.18	2KJ1507 - ■JP13 - ■■U1		266	
23	3 829	1.2	63.41	★ 2KJ1507 - ■JP13 - ■■T1		266	
27	3 222	1.5	53.36	★ 2KJ1507 - ■JP13 - ■■S1		266	
30	2 907	1.6	48.14	2KJ1507 - ■JP13 - ■■R1		266	
35	2 499	1.9	41.38	★ 2KJ1507 - ■JP13 - ■■Q1		266	
37	2 366	2.0	39.19	★ 2KJ1507 - ■JP13 - ■■P1		266	
40	2 169	2.2	35.92	2KJ1507 - ■JP13 - ■■N1		266	
48	1 848	2.5	30.61	2KJ1507 - ■JP13 - ■■M1		266	
54	1 632	2.9	27.02	★ 2KJ1507 - ■JP13 - ■■L1		266	
K.108-LA160MB4E							
24	3 697	0.81	61.22	★ 2KJ1506 - ■JP13 - ■■R1		195	
28	3 145	0.95	52.08	2KJ1506 - ■JP13 - ■■Q1		195	
33	2 684	1.1	44.44	★ 2KJ1506 - ■JP13 - ■■P1		195	
40	2 200	1.3	36.44	★ 2KJ1506 - ■JP13 - ■■N1		195	
43	2 045	1.5	33.87	★ 2KJ1506 - ■JP13 - ■■M1		195	
47	1 887	1.6	31.25	2KJ1506 - ■JP13 - ■■L1		195	
55	1 599	1.8	26.48	2KJ1506 - ■JP13 - ■■K1		195	
63	1 394	2.0	23.08	★ 2KJ1506 - ■JP13 - ■■J1		195	
74	1 185	2.2	19.63	2KJ1506 - ■JP13 - ■■G1		195	

★ Preferred transmission ratio

Shaft designs, see page 4/83

Frequency and voltage, see page 8/20

Gearbox housing mounting position, see page 4/87

^{*)} For mounting type B3

1, 2, 3, 5, 6 or 9

1 to 9

A, D, E, F, H or M

MOTOX Geared Motors

Bevel helical geared motors

Geared motors up to 200 kW

Selection and ordering data (continued)

Power rating P_{Motor} kW (50 Hz)	Output speed n_2 (50 Hz) rpm	Output torque T_2 Nm	Service factor f_B	Gearbox ratio i_{tot}	Order No.	Order code (No. of poles)	Weight ^{*)} kg
9.2	K.108-LA160MB4E						
	87	1 011	2.5	16.75	★ 2KJ1506 - ■JP13 - ■■F1		195
	106	830	2.8	13.74	★ 2KJ1506 - ■JP13 - ■■E1		195
	113	779	2.5	12.9	★ 2KJ1506 - ■JP13 - ■■D1		195
	133	662	2.8	10.97	2KJ1506 - ■JP13 - ■■C1		195
	155	565	3.1	9.36	★ 2KJ1506 - ■JP13 - ■■B1		195
	189	464	3.6	7.68	★ 2KJ1506 - ■JP13 - ■■A1		195
	K.88-LA160MB4E						
	47	1 864	0.89	30.87	★ 2KJ1505 - ■JP13 - ■■N1		141
	51	1 721	0.96	28.5	2KJ1505 - ■JP13 - ■■M1		141
	57	1 542	1.1	25.53	★ 2KJ1505 - ■JP13 - ■■L1		141
	62	1 421	1.2	23.54	2KJ1505 - ■JP13 - ■■K1		141
	74	1 193	1.3	19.75	2KJ1505 - ■JP13 - ■■J1		141
	86	1 017	1.5	16.85	★ 2KJ1505 - ■JP13 - ■■H1		141
	104	848	1.7	14.04	2KJ1505 - ■JP13 - ■■G1		141
	125	703	1.9	11.64	★ 2KJ1505 - ■JP13 - ■■F1		141
	130	677	1.2	11.21	2KJ1505 - ■JP13 - ■■E1		141
	155	568	1.3	9.41	2KJ1505 - ■JP13 - ■■D1		141
	181	485	1.5	8.03	★ 2KJ1505 - ■JP13 - ■■C1		141
217	404	1.7	6.69	2KJ1505 - ■JP13 - ■■B1		141	
263	335	1.9	5.54	★ 2KJ1505 - ■JP13 - ■■A1		141	
11	K.188-LG180LA8						
	4.2	25 035	0.80	172.78	2KJ1511 - ■KM13 - ■■T1	P02	882
	4.5	23 462	0.85	161.92	2KJ1511 - ■KM13 - ■■S1	P02	882
	K.188-LA160ZLP6E						
	5.0	20 938	0.96	191.34	2KJ1511 - ■JT13 - ■■U1	P01	812
	5.6	18 907	1.1	172.78	2KJ1511 - ■JT13 - ■■T1	P01	812
	5.9	17 718	1.1	161.92	2KJ1511 - ■JT13 - ■■S1	P01	812
	6.9	15 219	1.3	139.08	★ 2KJ1511 - ■JT13 - ■■R1	P01	812
	K.188-LA160MP4E						
	7.6	13 767	1.5	191.34	2KJ1511 - ■JQ13 - ■■U1		800
	8.5	12 432	1.6	172.78	2KJ1511 - ■JQ13 - ■■T1		800
	9.0	11 650	1.7	161.92	2KJ1511 - ■JQ13 - ■■S1		800
	10.5	10 007	2.0	139.08	★ 2KJ1511 - ■JQ13 - ■■R1		800
	K.168-LA160MP4E						
	6.8	15 350	0.88	213.33	★ 2KJ1510 - ■JQ13 - ■■D2		551
	7.3	14 357	0.94	199.54	2KJ1510 - ■JQ13 - ■■C2		551
	8.2	12 766	1.1	177.43	★ 2KJ1510 - ■JQ13 - ■■B2		551
	8.7	12 052	1.1	167.5	2KJ1510 - ■JQ13 - ■■A2		551
	9.7	10 819	1.2	150.36	★ 2KJ1510 - ■JQ13 - ■■X1		551
	10.6	9 929	1.4	138	2KJ1510 - ■JQ13 - ■■W1		551
	12.3	8 569	1.6	119.09	2KJ1510 - ■JQ13 - ■■V1		551
	14.0	7 496	1.8	104.18	2KJ1510 - ■JQ13 - ■■U1		551
	16.1	6 519	2.1	90.6	2KJ1510 - ■JQ13 - ■■T1		551

★ Preferred transmission ratio

Shaft designs, see page 4/83

Frequency and voltage, see page 8/20

Gearbox housing mounting position, see page 4/87

*) For mounting type B3

1, 2, 3, 5, 6 or 9

1 to 9

A, D, E, F, H or M

MOTOX Geared Motors

Bevel helical geared motors

Geared motors up to 200 kW

Selection and ordering data (continued)

Power rating P_{Motor} kW (50 Hz)	Output speed n_2 (50 Hz) rpm	Output torque T_2 Nm	Service factor f_B	Gearbox ratio i_{tot}	Order No.	Order code (No. of poles)	Weight ^{*)} kg
11							
K.148-LA160MP4E							
11.1		9 461	0.85	131.49	2KJ1508 - ■ JQ13 - ■■ C2		366
13.0		8 084	0.99	112.35	2KJ1508 - ■ JQ13 - ■■ B2		366
14.4		7 305	1.1	101.53	★ 2KJ1508 - ■ JQ13 - ■■ A2		366
14.9		7 038	1.1	97.82	2KJ1508 - ■ JQ13 - ■■ X1		366
17.3		6 088	1.3	84.61	2KJ1508 - ■ JQ13 - ■■ W1		366
19.8		5 310	1.5	73.8	★ 2KJ1508 - ■ JQ13 - ■■ V1		366
23		4 544	1.8	63.16	★ 2KJ1508 - ■ JQ13 - ■■ U1		366
26		4 070	2.0	56.57	2KJ1508 - ■ JQ13 - ■■ T1		366
30		3 447	2.3	47.91	★ 2KJ1508 - ■ JQ13 - ■■ R1		366
K.128-LA160MP4E							
20		5 265	0.89	73.18	2KJ1507 - ■ JQ13 - ■■ U1		266
23		4 562	1.0	63.41	★ 2KJ1507 - ■ JQ13 - ■■ T1		266
27		3 839	1.2	53.36	★ 2KJ1507 - ■ JQ13 - ■■ S1		266
30		3 464	1.4	48.14	2KJ1507 - ■ JQ13 - ■■ R1		266
35		2 977	1.6	41.38	★ 2KJ1507 - ■ JQ13 - ■■ Q1		266
37		2 820	1.7	39.19	★ 2KJ1507 - ■ JQ13 - ■■ P1		266
41		2 585	1.8	35.92	2KJ1507 - ■ JQ13 - ■■ N1		266
48		2 202	2.1	30.61	2KJ1507 - ■ JQ13 - ■■ M1		266
54		1 944	2.4	27.02	★ 2KJ1507 - ■ JQ13 - ■■ L1		266
64		1 654	2.8	22.99	2KJ1507 - ■ JQ13 - ■■ K1		266
116		904	3.6	12.56	2KJ1507 - ■ JQ13 - ■■ E1		266
K.108-LA160MP4E							
28		3 747	0.80	52.08	2KJ1506 - ■ JQ13 - ■■ Q1		195
33		3 198	0.94	44.44	★ 2KJ1506 - ■ JQ13 - ■■ P1		195
40		2 622	1.1	36.44	★ 2KJ1506 - ■ JQ13 - ■■ N1		195
43		2 437	1.2	33.87	★ 2KJ1506 - ■ JQ13 - ■■ M1		195
47		2 249	1.3	31.25	2KJ1506 - ■ JQ13 - ■■ L1		195
55		1 905	1.5	26.48	2KJ1506 - ■ JQ13 - ■■ K1		195
63		1 661	1.7	23.08	★ 2KJ1506 - ■ JQ13 - ■■ J1		195
74		1 412	1.9	19.63	2KJ1506 - ■ JQ13 - ■■ G1		195
87		1 205	2.1	16.75	★ 2KJ1506 - ■ JQ13 - ■■ F1		195
106		989	2.4	13.74	★ 2KJ1506 - ■ JQ13 - ■■ E1		195
113		928	2.1	12.9	★ 2KJ1506 - ■ JQ13 - ■■ D1		195
133		789	2.3	10.97	2KJ1506 - ■ JQ13 - ■■ C1		195
156		673	2.6	9.36	★ 2KJ1506 - ■ JQ13 - ■■ B1		195
190		553	3.0	7.68	★ 2KJ1506 - ■ JQ13 - ■■ A1		195
K.88-LA160MP4E							
51		2 051	0.80	28.5	2KJ1505 - ■ JQ13 - ■■ M1		141
57		1 837	0.90	25.53	★ 2KJ1505 - ■ JQ13 - ■■ L1		141
62		1 694	0.97	23.54	2KJ1505 - ■ JQ13 - ■■ K1		141
74		1 421	1.1	19.75	2KJ1505 - ■ JQ13 - ■■ J1		141
87		1 212	1.2	16.85	★ 2KJ1505 - ■ JQ13 - ■■ H1		141
104		1 010	1.4	14.04	2KJ1505 - ■ JQ13 - ■■ G1		141

★ Preferred transmission ratio

Shaft designs, see page 4/83

1, 2, 3, 5, 6 or 9

Frequency and voltage, see page 8/20

1 to 9

Gearbox housing mounting position, see page 4/87

A, D, E, F, H or M

^{*)} For mounting type B3

MOTOX Geared Motors

Bevel helical geared motors

Geared motors up to 200 kW

Selection and ordering data (continued)

Power rating P_{Motor} kW (50 Hz)	Output speed n_2 (50 Hz) rpm	Output torque T_2 Nm	Service factor f_B	Gearbox ratio i_{tot}	Order No.	Order code (No. of poles)	Weight ^{*)} kg
11	K.88-LA160MP4E						
	125	838	1.6	11.64	★ 2KJ1505 - ■ JQ13 - ■■ F1		141
	130	807	1.0	11.21	2KJ1505 - ■ JQ13 - ■■ E1		141
	155	677	1.1	9.41	2KJ1505 - ■ JQ13 - ■■ D1		141
	182	578	1.3	8.03	★ 2KJ1505 - ■ JQ13 - ■■ C1		141
	218	481	1.4	6.69	2KJ1505 - ■ JQ13 - ■■ B1		141
	264	399	1.6	5.54	★ 2KJ1505 - ■ JQ13 - ■■ A1		141
15	K.188-LG180ZLB6E						
	6.0	23 790	0.84	161.92	2KJ1511 - ■ KP13 - ■■ S1	P01	882
	7.0	20 434	0.98	139.08	★ 2KJ1511 - ■ KP13 - ■■ R1	P01	882
	K.188-LA160ZLP4E						
	7.6	18 774	1.1	191.34	2KJ1511 - ■ JT13 - ■■ U1		812
	8.5	16 953	1.2	172.78	2KJ1511 - ■ JT13 - ■■ T1		812
	9.0	15 887	1.3	161.92	2KJ1511 - ■ JT13 - ■■ S1		812
	10.5	13 646	1.5	139.08	★ 2KJ1511 - ■ JT13 - ■■ R1		812
	12.2	11 790	1.7	120.16	2KJ1511 - ■ JT13 - ■■ Q1		812
	13.8	10 407	1.9	106.07	2KJ1511 - ■ JT13 - ■■ P1		812
	15.3	9 368	2.1	95.48	★ 2KJ1511 - ■ JT13 - ■■ N1		812
	K.168-LA160ZLP4E						
	8.7	16 435	0.82	167.5	2KJ1510 - ■ JT13 - ■■ A2		563
	9.7	14 753	0.92	150.36	★ 2KJ1510 - ■ JT13 - ■■ X1		563
	10.6	13 540	1.0	138	2KJ1510 - ■ JT13 - ■■ W1		563
	12.3	11 685	1.2	119.09	2KJ1510 - ■ JT13 - ■■ V1		563
	14.0	10 222	1.3	104.18	2KJ1510 - ■ JT13 - ■■ U1		563
	16.1	8 889	1.5	90.6	2KJ1510 - ■ JT13 - ■■ T1		563
	18.4	7 799	1.7	79.49	★ 2KJ1510 - ■ JT13 - ■■ S1		563
	22	6 595	2.0	67.22	★ 2KJ1510 - ■ JT13 - ■■ R1		563
	24	5 984	2.3	60.99	2KJ1510 - ■ JT13 - ■■ Q1		563
	K.148-LA160ZLP4E						
	14.4	9 962	0.80	101.53	★ 2KJ1508 - ■ JT13 - ■■ A2		378
	14.9	9 598	0.83	97.82	2KJ1508 - ■ JT13 - ■■ X1		378
	17.3	8 302	0.96	84.61	2KJ1508 - ■ JT13 - ■■ W1		378
	19.8	7 241	1.1	73.8	★ 2KJ1508 - ■ JT13 - ■■ V1		378
	23	6 197	1.3	63.16	★ 2KJ1508 - ■ JT13 - ■■ U1		378
	26	5 550	1.4	56.57	2KJ1508 - ■ JT13 - ■■ T1		378
	30	4 701	1.7	47.91	★ 2KJ1508 - ■ JT13 - ■■ R1		378
	35	4 060	2.0	41.38	2KJ1508 - ■ JT13 - ■■ Q1		378
47	3 051	2.6	31.1	★ 2KJ1508 - ■ JT13 - ■■ N1		378	
48	3 016	2.7	30.74	2KJ1508 - ■ JT13 - ■■ M1		378	
K.128-LA160ZLP4E							
27	5 235	0.9	53.36	★ 2KJ1507 - ■ JT13 - ■■ S1		278	
30	4 723	1.0	48.14	2KJ1507 - ■ JT13 - ■■ R1		278	
35	4 060	1.2	41.38	★ 2KJ1507 - ■ JT13 - ■■ Q1		278	
37	3 845	1.2	39.19	★ 2KJ1507 - ■ JT13 - ■■ P1		278	

★ Preferred transmission ratio

Shaft designs, see page 4/83

Frequency and voltage, see page 8/20

Gearbox housing mounting position, see page 4/87

*) For mounting type B3

1, 2, 3, 5, 6 or 9

1 to 9

A, D, E, F, H or M

MOTOX Geared Motors

Bevel helical geared motors

Geared motors up to 200 kW

Selection and ordering data (continued)

Power rating P_{Motor} kW (50 Hz)	Output speed n_2 (50 Hz) rpm	Output torque T_2 Nm	Service factor f_B	Gearbox ratio i_{tot}	Order No.	Order code (No. of poles)	Weight ^{*)} kg	
15	K.128-LA160ZLP4E							
	41	3 524	1.3	35.92	2KJ1507 - ■JT13 - ■■N1		278	
	48	3 003	1.6	30.61	2KJ1507 - ■JT13 - ■■M1		278	
	54	2 651	1.8	27.02	★ 2KJ1507 - ■JT13 - ■■L1		278	
	64	2 256	2.1	22.99	2KJ1507 - ■JT13 - ■■K1		278	
	73	1 954	2.4	19.92	★ 2KJ1507 - ■JT13 - ■■J1		278	
	87	1 644	2.9	16.76	★ 2KJ1507 - ■JT13 - ■■H1		278	
	96	1 485	3.1	15.13	2KJ1507 - ■JT13 - ■■G1		278	
	112	1 276	3.5	13	★ 2KJ1507 - ■JT13 - ■■F1		278	
	116	1 232	2.6	12.56	2KJ1507 - ■JT13 - ■■E1		278	
	134	1 068	2.9	10.88	★ 2KJ1507 - ■JT13 - ■■D1		278	
	159	899	3.3	9.16	★ 2KJ1507 - ■JT13 - ■■C1		278	
	177	810	3.5	8.26	2KJ1507 - ■JT13 - ■■B1		278	
	206	697	3.9	7.1	★ 2KJ1507 - ■JT13 - ■■A1		278	
		K.108-LA160ZLP4E						
		43	3 323	0.90	33.87	★ 2KJ1506 - ■JT13 - ■■M1		207
		47	3 066	0.98	31.25	2KJ1506 - ■JT13 - ■■L1		207
		55	2 598	1.1	26.48	2KJ1506 - ■JT13 - ■■K1		207
		63	2 265	1.2	23.08	★ 2KJ1506 - ■JT13 - ■■J1		207
		74	1 926	1.4	19.63	2KJ1506 - ■JT13 - ■■G1		207
87		1 643	1.5	16.75	★ 2KJ1506 - ■JT13 - ■■F1		207	
106		1 348	1.8	13.74	★ 2KJ1506 - ■JT13 - ■■E1		207	
113		1 266	1.5	12.9	★ 2KJ1506 - ■JT13 - ■■D1		207	
133		1 076	1.7	10.97	2KJ1506 - ■JT13 - ■■C1		207	
156		918	1.9	9.36	★ 2KJ1506 - ■JT13 - ■■B1		207	
190		754	2.2	7.68	★ 2KJ1506 - ■JT13 - ■■A1		207	
	K.88-LA160ZLP4E							
	74	1 938	0.81	19.75	2KJ1505 - ■JT13 - ■■J1		153	
	87	1 653	0.91	16.85	★ 2KJ1505 - ■JT13 - ■■H1		153	
	104	1 378	1.0	14.04	2KJ1505 - ■JT13 - ■■G1		153	
	125	1 142	1.2	11.64	★ 2KJ1505 - ■JT13 - ■■F1		153	
	155	923	0.83	9.41	2KJ1505 - ■JT13 - ■■D1		153	
	182	788	0.92	8.03	★ 2KJ1505 - ■JT13 - ■■C1		153	
	218	656	1.0	6.69	2KJ1505 - ■JT13 - ■■B1		153	
264	544	1.2	5.54	★ 2KJ1505 - ■JT13 - ■■A1		153		
18.5	K.188-LG180ZMB4E							
	7.7	22 997	0.87	191.34	2KJ1511 - ■KL13 - ■■U1		867	
	8.5	20 766	0.96	172.78	2KJ1511 - ■KL13 - ■■T1		867	
	9.1	19 461	1.0	161.92	2KJ1511 - ■KL13 - ■■S1		867	
	10.6	16 716	1.2	139.08	★ 2KJ1511 - ■KL13 - ■■R1		867	
	12.2	14 442	1.4	120.16	2KJ1511 - ■KL13 - ■■Q1		867	
	13.9	12 748	1.6	106.07	2KJ1511 - ■KL13 - ■■P1		867	
	15.4	11 475	1.7	95.48	★ 2KJ1511 - ■KL13 - ■■N1		867	
18.6	9 522	2.1	79.23	★ 2KJ1511 - ■KL13 - ■■M1		867		

★ Preferred transmission ratio

Shaft designs, see page 4/83

Frequency and voltage, see page 8/20

Gearbox housing mounting position, see page 4/87

^{*)} For mounting type B3

1, 2, 3, 5, 6 or 9

1 to 9

A, D, E, F, H or M

MOTOX Geared Motors

Bevel helical geared motors

Geared motors up to 200 kW

Selection and ordering data (continued)

Power rating P_{Motor} kW (50 Hz)	Output speed n_2 (50 Hz) rpm	Output torque T_2 Nm	Service factor f_B	Gearbox ratio i_{tot}	Order No.	Order code (No. of poles)	Weight ^{*)} kg
18.5	K.188-LG180ZMB4E						
	20	8 682	2.3	72.24	2KJ1511 - ■ KL13 - ■■ L1		867
	K.168-LG180ZMB4E						
	10.7	16 586	0.81	138	2KJ1510 - ■ KL13 - ■■ W1		618
	12.3	14 313	0.94	119.09	2KJ1510 - ■ KL13 - ■■ V1		618
	14.1	12 521	1.1	104.18	2KJ1510 - ■ KL13 - ■■ U1		618
	16.2	10 889	1.2	90.6	2KJ1510 - ■ KL13 - ■■ T1		618
	18.5	9 554	1.4	79.49	★ 2KJ1510 - ■ KL13 - ■■ S1		618
	22	8 079	1.7	67.22	★ 2KJ1510 - ■ KL13 - ■■ R1		618
	24	7 330	1.8	60.99	2KJ1510 - ■ KL13 - ■■ Q1		618
	28	6 392	2.1	53.18	★ 2KJ1510 - ■ KL13 - ■■ P1		618
	33	5 426	2.5	45.15	2KJ1510 - ■ KL13 - ■■ N1		618
	K.148-LG180ZMB4E						
	19.9	8 870	0.90	73.8	★ 2KJ1508 - ■ KL13 - ■■ V1		433
	23	7 591	1.1	63.16	★ 2KJ1508 - ■ KL13 - ■■ U1		433
	26	6 799	1.2	56.57	2KJ1508 - ■ KL13 - ■■ T1		433
	31	5 758	1.4	47.91	★ 2KJ1508 - ■ KL13 - ■■ R1		433
	36	4 973	1.6	41.38	2KJ1508 - ■ KL13 - ■■ Q1		433
	47	3 738	2.1	31.1	★ 2KJ1508 - ■ KL13 - ■■ N1		433
48	3 695	2.2	30.74	2KJ1508 - ■ KL13 - ■■ M1		433	
55	3 195	2.5	26.58	2KJ1508 - ■ KL13 - ■■ L1		433	
63	2 787	2.9	23.19	★ 2KJ1508 - ■ KL13 - ■■ K1		433	
167	1 056	3.8	8.79	2KJ1508 - ■ KL13 - ■■ D1		433	
198	894	4.2	7.44	★ 2KJ1508 - ■ KL13 - ■■ C1		433	
K.128-LG180ZMB4E							
30	5 786	0.81	48.14	2KJ1507 - ■ KL13 - ■■ R1		333	
36	4 973	0.95	41.38	★ 2KJ1507 - ■ KL13 - ■■ Q1		333	
38	4 710	1.0	39.19	★ 2KJ1507 - ■ KL13 - ■■ P1		333	
41	4 317	1.1	35.92	2KJ1507 - ■ KL13 - ■■ N1		333	
48	3 679	1.3	30.61	2KJ1507 - ■ KL13 - ■■ M1		333	
54	3 247	1.4	27.02	★ 2KJ1507 - ■ KL13 - ■■ L1		333	
64	2 763	1.7	22.99	2KJ1507 - ■ KL13 - ■■ K1		333	
74	2 394	2.0	19.92	★ 2KJ1507 - ■ KL13 - ■■ J1		333	
88	2 014	2.3	16.76	★ 2KJ1507 - ■ KL13 - ■■ H1		333	
97	1 818	2.5	15.13	2KJ1507 - ■ KL13 - ■■ G1		333	
113	1 562	2.8	13	★ 2KJ1507 - ■ KL13 - ■■ F1		333	
117	1 510	2.1	12.56	2KJ1507 - ■ KL13 - ■■ E1		333	
135	1 308	2.4	10.88	★ 2KJ1507 - ■ KL13 - ■■ D1		333	
160	1 101	2.7	9.16	★ 2KJ1507 - ■ KL13 - ■■ C1		333	
178	993	2.9	8.26	2KJ1507 - ■ KL13 - ■■ B1		333	
207	853	3.2	7.1	★ 2KJ1507 - ■ KL13 - ■■ A1		333	
K.108-LG180ZMB4E							
47	3 756	0.80	31.25	2KJ1506 - ■ KL13 - ■■ L1		262	
56	3 183	0.91	26.48	2KJ1506 - ■ KL13 - ■■ K1		262	

★ Preferred transmission ratio

Shaft designs, see page 4/83

1, 2, 3, 5, 6 or 9

Frequency and voltage, see page 8/20

1 to 9

Gearbox housing mounting position, see page 4/87

A, D, E, F, H or M

*) For mounting type B3

MOTOX Geared Motors

Bevel helical geared motors

Geared motors up to 200 kW

Selection and ordering data (continued)

Power rating P_{Motor} kW (50 Hz)	Output speed n_2 (50 Hz) rpm	Output torque T_2 Nm	Service factor f_B	Gearbox ratio i_{tot}	Order No.	Order code (No. of poles)	Weight ^{*)} kg
18.5	K.108-LG180ZMB4E						
	64	2 774	1.0	23.08	★ 2KJ1506 - ■ KL13 - ■■ J1		262
	75	2 359	1.1	19.63	2KJ1506 - ■ KL13 - ■■ G1		262
	88	2 013	1.2	16.75	★ 2KJ1506 - ■ KL13 - ■■ F1		262
	107	1 651	1.4	13.74	★ 2KJ1506 - ■ KL13 - ■■ E1		262
	114	1 550	1.2	12.9	★ 2KJ1506 - ■ KL13 - ■■ D1		262
	134	1 318	1.4	10.97	2KJ1506 - ■ KL13 - ■■ C1		262
	157	1 125	1.6	9.36	★ 2KJ1506 - ■ KL13 - ■■ B1		262
	191	923	1.8	7.68	★ 2KJ1506 - ■ KL13 - ■■ A1		262
22	K.188-LG180ZLB4E						
	8.5	24 779	0.81	172.78	2KJ1511 - ■ KP13 - ■■ T1		882
	9.0	23 221	0.86	161.92	2KJ1511 - ■ KP13 - ■■ S1		882
	10.5	19 946	1.0	139.08	★ 2KJ1511 - ■ KP13 - ■■ R1		882
	12.2	17 233	1.2	120.16	2KJ1511 - ■ KP13 - ■■ Q1		882
	13.8	15 212	1.3	106.07	2KJ1511 - ■ KP13 - ■■ P1		882
	15.3	13 693	1.5	95.48	★ 2KJ1511 - ■ KP13 - ■■ N1		882
	18.5	11 363	1.8	79.23	★ 2KJ1511 - ■ KP13 - ■■ M1		882
	20	10 360	1.9	72.24	2KJ1511 - ■ KP13 - ■■ L1		882
	23	9 090	2.2	63.38	★ 2KJ1511 - ■ KP13 - ■■ K1		882
	K.168-LG180ZLB4E						
14.1	14 941	0.9	104.18	2KJ1510 - ■ KP13 - ■■ U1		633	
16.2	12 993	1.0	90.6	2KJ1510 - ■ KP13 - ■■ T1		633	
18.4	11 400	1.2	79.49	★ 2KJ1510 - ■ KP13 - ■■ S1		633	
22	9 640	1.4	67.22	★ 2KJ1510 - ■ KP13 - ■■ R1		633	
24	8 747	1.5	60.99	2KJ1510 - ■ KP13 - ■■ Q1		633	
28	7 627	1.8	53.18	★ 2KJ1510 - ■ KP13 - ■■ P1		633	
32	6 475	2.1	45.15	2KJ1510 - ■ KP13 - ■■ N1		633	
42	4 955	2.7	34.55	★ 2KJ1510 - ■ KP13 - ■■ M1		633	
	K.148-LG180ZLB4E						
23	9 058	0.88	63.16	★ 2KJ1508 - ■ KP13 - ■■ U1		448	
26	8 113	0.99	56.57	2KJ1508 - ■ KP13 - ■■ T1		448	
31	6 871	1.2	47.91	★ 2KJ1508 - ■ KP13 - ■■ R1		448	
35	5 934	1.3	41.38	2KJ1508 - ■ KP13 - ■■ Q1		448	
47	4 460	1.8	31.1	★ 2KJ1508 - ■ KP13 - ■■ N1		448	
48	4 409	1.8	30.74	2KJ1508 - ■ KP13 - ■■ M1		448	
55	3 812	2.1	26.58	2KJ1508 - ■ KP13 - ■■ L1		448	
63	3 326	2.4	23.19	★ 2KJ1508 - ■ KP13 - ■■ K1		448	
74	2 845	2.8	19.84	★ 2KJ1508 - ■ KP13 - ■■ J1		448	
82	2 548	3.1	17.77	2KJ1508 - ■ KP13 - ■■ H1		448	
97	2 158	3.5	15.05	★ 2KJ1508 - ■ KP13 - ■■ G1		448	
167	1 261	3.2	8.79	2KJ1508 - ■ KP13 - ■■ D1		448	
197	1 067	3.5	7.44	★ 2KJ1508 - ■ KP13 - ■■ C1		448	
228	922	3.9	6.43	2KJ1508 - ■ KP13 - ■■ B1		448	
303	693	4.8	4.83	★ 2KJ1508 - ■ KP13 - ■■ A1		448	

★ Preferred transmission ratio

Shaft designs, see page 4/83

1, 2, 3, 5, 6 or 9

Frequency and voltage, see page 8/20

1 to 9

Gearbox housing mounting position, see page 4/87

A, D, E, F, H or M

^{*)} For mounting type B3

MOTOX Geared Motors

Bevel helical geared motors

Geared motors up to 200 kW

Selection and ordering data (continued)

Power rating P_{Motor} kW (50 Hz)	Output speed n_2 (50 Hz) rpm	Output torque T_2 Nm	Service factor f_B	Gearbox ratio i_{tot}	Order No.	Order code (No. of poles)	Weight ^{*)} kg	
22	K.128-LG180ZLB4E							
	37	5 620	0.84	39.19	★ 2KJ1507 - ■ KP13 - ■■ P1		348	
	41	5 151	0.91	35.92	2KJ1507 - ■ KP13 - ■■ N1		348	
	48	4 390	1.1	30.61	2KJ1507 - ■ KP13 - ■■ M1		348	
	54	3 875	1.2	27.02	★ 2KJ1507 - ■ KP13 - ■■ L1		348	
	64	3 297	1.4	22.99	2KJ1507 - ■ KP13 - ■■ K1		348	
	74	2 857	1.6	19.92	★ 2KJ1507 - ■ KP13 - ■■ J1		348	
	87	2 404	2.0	16.76	★ 2KJ1507 - ■ KP13 - ■■ H1		348	
	97	2 170	2.1	15.13	2KJ1507 - ■ KP13 - ■■ G1		348	
	113	1 864	2.4	13	★ 2KJ1507 - ■ KP13 - ■■ F1		348	
	117	1 801	1.8	12.56	2KJ1507 - ■ KP13 - ■■ E1		348	
	135	1 560	2.0	10.88	★ 2KJ1507 - ■ KP13 - ■■ D1		348	
	160	1 314	2.2	9.16	★ 2KJ1507 - ■ KP13 - ■■ C1		348	
	177	1 185	2.4	8.26	2KJ1507 - ■ KP13 - ■■ B1		348	
	206	1 018	2.7	7.1	★ 2KJ1507 - ■ KP13 - ■■ A1		348	
	22	K.108-LG180ZLB4E						
		64	3 310	0.84	23.08	★ 2KJ1506 - ■ KP13 - ■■ J1		277
		75	2 815	0.93	19.63	2KJ1506 - ■ KP13 - ■■ G1		277
		88	2 402	1.0	16.75	★ 2KJ1506 - ■ KP13 - ■■ F1		277
		107	1 970	1.2	13.74	★ 2KJ1506 - ■ KP13 - ■■ E1		277
114		1 850	1.0	12.9	★ 2KJ1506 - ■ KP13 - ■■ D1		277	
134		1 573	1.2	10.97	2KJ1506 - ■ KP13 - ■■ C1		277	
157		1 342	1.3	9.36	★ 2KJ1506 - ■ KP13 - ■■ B1		277	
191		1 101	1.5	7.68	★ 2KJ1506 - ■ KP13 - ■■ A1		277	
30	K.188-LG200LB4E							
	12.3	23 340	0.86	120.16	2KJ1511 - ■ LM13 - ■■ Q1		932	
	13.9	20 603	0.97	106.07	2KJ1511 - ■ LM13 - ■■ P1		932	
	15.4	18 546	1.1	95.48	★ 2KJ1511 - ■ LM13 - ■■ N1		932	
	18.6	15 389	1.3	79.23	★ 2KJ1511 - ■ LM13 - ■■ M1		932	
	20	14 032	1.4	72.24	2KJ1511 - ■ LM13 - ■■ L1		932	
	23	12 311	1.6	63.38	★ 2KJ1511 - ■ LM13 - ■■ K1		932	
	27	10 580	1.9	54.47	2KJ1511 - ■ LM13 - ■■ J1		932	
	35	8 241	2.4	42.43	★ 2KJ1511 - ■ LM13 - ■■ H1		932	
	30	K.168-LG200LB4E						
18.6		15 440	0.87	79.49	★ 2KJ1510 - ■ LM13 - ■■ S1		683	
22		13 057	1.0	67.22	★ 2KJ1510 - ■ LM13 - ■■ R1		683	
24		11 847	1.1	60.99	2KJ1510 - ■ LM13 - ■■ Q1		683	
28		10 330	1.3	53.18	★ 2KJ1510 - ■ LM13 - ■■ P1		683	
33		8 770	1.5	45.15	2KJ1510 - ■ LM13 - ■■ N1		683	
43		6 711	2.0	34.55	★ 2KJ1510 - ■ LM13 - ■■ M1		683	
45		6 319	2.1	32.53	2KJ1510 - ■ LM13 - ■■ L1		683	
52		5 544	2.4	28.54	★ 2KJ1510 - ■ LM13 - ■■ K1		683	
61		4 689	2.9	24.14	★ 2KJ1510 - ■ LM13 - ■■ J1		683	
67	4 254	3.1	21.9	2KJ1510 - ■ LM13 - ■■ H1		683		

★ Preferred transmission ratio

Shaft designs, see page 4/83

1, 2, 3, 5, 6 or 9

Frequency and voltage, see page 8/20

1 to 9

Gearbox housing mounting position, see page 4/87

A, D, E, F, H or M

*) For mounting type B3

MOTOX Geared Motors

Bevel helical geared motors

Geared motors up to 200 kW

Selection and ordering data (continued)

Power rating P_{Motor} kW (50 Hz)	Output speed n_2 (50 Hz) rpm	Output torque T_2 Nm	Service factor f_B	Gearbox ratio i_{tot}	Order No.	Order code (No. of poles)	Weight ^{*)} kg	
30	K.168-LG200LB4E							
	126	2 267	3.1	11.67	2KJ1510 - ■ LM13 - ■■■ D1		683	
	145	1 975	3.4	10.17	★ 2KJ1510 - ■ LM13 - ■■■ C1		683	
	171	1 678	3.8	8.64	2KJ1510 - ■ LM13 - ■■■ B1		683	
	223	1 284	4.6	6.61	★ 2KJ1510 - ■ LM13 - ■■■ A1		683	
	K.148-LG200LB4E							
	31	9 306	0.86	47.91	★ 2KJ1508 - ■ LM13 - ■■■ R1		498	
	36	8 038	1.0	41.38	2KJ1508 - ■ LM13 - ■■■ Q1		498	
	47	6 041	1.3	31.1	★ 2KJ1508 - ■ LM13 - ■■■ N1		498	
	48	5 971	1.3	30.74	2KJ1508 - ■ LM13 - ■■■ M1		498	
	56	5 163	1.5	26.58	2KJ1508 - ■ LM13 - ■■■ L1		498	
	64	4 504	1.8	23.19	★ 2KJ1508 - ■ LM13 - ■■■ K1		498	
	74	3 854	2.1	19.84	★ 2KJ1508 - ■ LM13 - ■■■ J1		498	
	83	3 452	2.3	17.77	2KJ1508 - ■ LM13 - ■■■ H1		498	
	98	2 923	2.6	15.05	★ 2KJ1508 - ■ LM13 - ■■■ G1		498	
113	2 525	2.9	13	2KJ1508 - ■ LM13 - ■■■ F1		498		
151	1 898	3.5	9.77	★ 2KJ1508 - ■ LM13 - ■■■ E1		498		
168	1 707	2.3	8.79	2KJ1508 - ■ LM13 - ■■■ D1		498		
198	1 445	2.6	7.44	★ 2KJ1508 - ■ LM13 - ■■■ C1		498		
229	1 249	2.9	6.43	2KJ1508 - ■ LM13 - ■■■ B1		498		
305	938	3.5	4.83	★ 2KJ1508 - ■ LM13 - ■■■ A1		498		
30	K.128-LG200LB4E							
	55	5 248	0.9	27.02	★ 2KJ1507 - ■ LM13 - ■■■ L1		398	
	64	4 466	1.1	22.99	2KJ1507 - ■ LM13 - ■■■ K1		398	
	74	3 869	1.2	19.92	★ 2KJ1507 - ■ LM13 - ■■■ J1		398	
	88	3 255	1.4	16.76	★ 2KJ1507 - ■ LM13 - ■■■ H1		398	
	98	2 939	1.6	15.13	2KJ1507 - ■ LM13 - ■■■ G1		398	
	113	2 525	1.8	13	★ 2KJ1507 - ■ LM13 - ■■■ F1		398	
	117	2 440	1.3	12.56	2KJ1507 - ■ LM13 - ■■■ E1		398	
	136	2 113	1.5	10.88	★ 2KJ1507 - ■ LM13 - ■■■ D1		398	
	161	1 779	1.6	9.16	★ 2KJ1507 - ■ LM13 - ■■■ C1		398	
	179	1 604	1.8	8.26	2KJ1507 - ■ LM13 - ■■■ B1		398	
	208	1 379	2.0	7.1	★ 2KJ1507 - ■ LM13 - ■■■ A1		398	
	37	K.188-LG225S4E						
		15.4	22 951	0.87	95.48	★ 2KJ1511 - ■ ME13 - ■■■ N1		1 012
		18.6	19 045	1.1	79.23	★ 2KJ1511 - ■ ME13 - ■■■ M1		1 012
20		17 365	1.2	72.24	2KJ1511 - ■ ME13 - ■■■ L1		1 012	
23		15 235	1.3	63.38	★ 2KJ1511 - ■ ME13 - ■■■ K1		1 012	
27		13 093	1.5	54.47	2KJ1511 - ■ ME13 - ■■■ J1		1 012	
35		10 199	2.0	42.43	★ 2KJ1511 - ■ ME13 - ■■■ H1		1 012	
43		8 240	2.4	34.28	★ 2KJ1511 - ■ ME13 - ■■■ G1		1 012	
52		6 839	2.9	28.45	★ 2KJ1511 - ■ ME13 - ■■■ F1		1 012	
37		K.168-LG225S4E						
		22	16 158	0.84	67.22	★ 2KJ1510 - ■ ME13 - ■■■ R1		763

★ Preferred transmission ratio

Shaft designs, see page 4/83

Frequency and voltage, see page 8/20

Gearbox housing mounting position, see page 4/87

^{*)} For mounting type B3

1, 2, 3, 5, 6 or 9

1 to 9

A, D, E, F, H or M

MOTOX Geared Motors

Bevel helical geared motors

Geared motors up to 200 kW

Selection and ordering data (continued)

Power rating P_{Motor} kW (50 Hz)	Output speed n_2 (50 Hz) rpm	Output torque T_2 Nm	Service factor f_B	Gearbox ratio i_{tot}	Order No.	Order code (No. of poles)	Weight *) kg
37							
K.168-LG225S4E							
24	14 660	0.92	60.99	2KJ1510 - ■ME13 - ■■Q1		763	
28	12 783	1.1	53.18	★ 2KJ1510 - ■ME13 - ■■P1		763	
33	10 853	1.2	45.15	2KJ1510 - ■ME13 - ■■N1		763	
42	8 305	1.6	34.55	★ 2KJ1510 - ■ME13 - ■■M1		763	
45	7 819	1.7	32.53	2KJ1510 - ■ME13 - ■■L1		763	
52	6 860	2.0	28.54	★ 2KJ1510 - ■ME13 - ■■K1		763	
61	5 803	2.3	24.14	★ 2KJ1510 - ■ME13 - ■■J1		763	
67	5 264	2.5	21.9	2KJ1510 - ■ME13 - ■■H1		763	
77	4 589	2.7	19.09	★ 2KJ1510 - ■ME13 - ■■G1		763	
91	3 896	3.1	16.21	2KJ1510 - ■ME13 - ■■F1		763	
118	2 983	3.7	12.41	★ 2KJ1510 - ■ME13 - ■■E1		763	
126	2 805	2.5	11.67	2KJ1510 - ■ME13 - ■■D1		763	
145	2 445	2.7	10.17	★ 2KJ1510 - ■ME13 - ■■C1		763	
170	2 077	3.1	8.64	2KJ1510 - ■ME13 - ■■B1		763	
222	1 589	3.7	6.61	★ 2KJ1510 - ■ME13 - ■■A1		763	
K.148-LG225S4E							
36	9 947	0.8	41.38	2KJ1508 - ■ME13 - ■■Q1		578	
47	7 476	1.1	31.1	★ 2KJ1508 - ■ME13 - ■■N1		578	
48	7 389	1.1	30.74	2KJ1508 - ■ME13 - ■■M1		578	
55	6 389	1.3	26.58	2KJ1508 - ■ME13 - ■■L1		578	
63	5 574	1.4	23.19	★ 2KJ1508 - ■ME13 - ■■K1		578	
74	4 769	1.7	19.84	★ 2KJ1508 - ■ME13 - ■■J1		578	
83	4 271	1.9	17.77	2KJ1508 - ■ME13 - ■■H1		578	
98	3 618	2.1	15.05	★ 2KJ1508 - ■ME13 - ■■G1		578	
113	3 125	2.3	13	2KJ1508 - ■ME13 - ■■F1		578	
150	2 348	2.8	9.77	★ 2KJ1508 - ■ME13 - ■■E1		578	
167	2 113	1.9	8.79	2KJ1508 - ■ME13 - ■■D1		578	
198	1 788	2.1	7.44	★ 2KJ1508 - ■ME13 - ■■C1		578	
229	1 546	2.3	6.43	2KJ1508 - ■ME13 - ■■B1		578	
304	1 161	2.9	4.83	★ 2KJ1508 - ■ME13 - ■■A1		578	
K.128-K4-LG1225S4E							
64	5 526	0.85	22.99	2KJ1507 - ■ME13 - ■■K1		478	
74	4 788	0.98	19.92	★ 2KJ1507 - ■ME13 - ■■J1		478	
88	4 029	1.2	16.76	★ 2KJ1507 - ■ME13 - ■■H1		478	
97	3 637	1.3	15.13	2KJ1507 - ■ME13 - ■■G1		478	
113	3 125	1.4	13	★ 2KJ1507 - ■ME13 - ■■F1		478	
117	3 019	1.1	12.56	2KJ1507 - ■ME13 - ■■E1		478	
135	2 615	1.2	10.88	★ 2KJ1507 - ■ME13 - ■■D1		478	
160	2 202	1.3	9.16	★ 2KJ1507 - ■ME13 - ■■C1		478	
178	1 985	1.4	8.26	2KJ1507 - ■ME13 - ■■B1		478	
207	1 707	1.6	7.1	★ 2KJ1507 - ■ME13 - ■■A1		478	

★ Preferred transmission ratio

Shaft designs, see page 4/83

1, 2, 3, 5, 6 or 9

Frequency and voltage, see page 8/20

1 to 9

Gearbox housing mounting position, see page 4/87

A, D, E, F, H or M

*) For mounting type B3

MOTOX Geared Motors

Bevel helical geared motors

Geared motors up to 200 kW

Selection and ordering data (continued)

Power rating P_{Motor} kW (50 Hz)	Output speed n_2 (50 Hz) rpm	Output torque T_2 Nm	Service factor f_B	Gearbox ratio i_{tot}	Order No.	Order code (No. of poles)	Weight ^{*)} kg
45							
K.188-LG225ZM4E							
18.6	23 084	0.87	79.23	★	2KJ1511 - ■MU13 - ■■M1		1 012
20	21 048	0.95	72.24		2KJ1511 - ■MU13 - ■■L1		1 012
23	18 466	1.1	63.38	★	2KJ1511 - ■MU13 - ■■K1		1 012
27	15 870	1.3	54.47		2KJ1511 - ■MU13 - ■■J1		1 012
35	12 362	1.6	42.43	★	2KJ1511 - ■MU13 - ■■H1		1 012
43	9 988	2.0	34.28	★	2KJ1511 - ■MU13 - ■■G1		1 012
52	8 289	2.4	28.45	★	2KJ1511 - ■MU13 - ■■F1		1 012
57	7 558	2.6	25.94		2KJ1511 - ■MU13 - ■■E1		1 012
65	6 631	3.0	22.76	★	2KJ1511 - ■MU13 - ■■D1		1 012
K.168-LG225ZM4E							
28	15 494	0.87	53.18	★	2KJ1510 - ■MU13 - ■■P1		763
33	13 155	1.0	45.15		2KJ1510 - ■MU13 - ■■N1		763
43	10 066	1.3	34.55	★	2KJ1510 - ■MU13 - ■■M1		763
45	9 478	1.4	32.53		2KJ1510 - ■MU13 - ■■L1		763
52	8 315	1.6	28.54	★	2KJ1510 - ■MU13 - ■■K1		763
61	7 033	1.9	24.14	★	2KJ1510 - ■MU13 - ■■J1		763
67	6 381	2.1	21.9		2KJ1510 - ■MU13 - ■■H1		763
77	5 562	2.3	19.09	★	2KJ1510 - ■MU13 - ■■G1		763
91	4 723	2.5	16.21		2KJ1510 - ■MU13 - ■■F1		763
119	3 616	3.0	12.41	★	2KJ1510 - ■MU13 - ■■E1		763
126	3 400	2.1	11.67		2KJ1510 - ■MU13 - ■■D1		763
145	2 963	2.3	10.17	★	2KJ1510 - ■MU13 - ■■C1		763
171	2 517	2.5	8.64		2KJ1510 - ■MU13 - ■■B1		763
223	1 926	3.0	6.61	★	2KJ1510 - ■MU13 - ■■A1		763
K.148-LG225ZM4E							
47	9 061	0.88	31.1	★	2KJ1508 - ■MU13 - ■■N1		578
48	8 956	0.89	30.74		2KJ1508 - ■MU13 - ■■M1		578
56	7 744	1.0	26.58		2KJ1508 - ■MU13 - ■■L1		578
64	6 757	1.2	23.19	★	2KJ1508 - ■MU13 - ■■K1		578
74	5 781	1.4	19.84	★	2KJ1508 - ■MU13 - ■■J1		578
83	5 177	1.5	17.77		2KJ1508 - ■MU13 - ■■H1		578
98	4 385	1.7	15.05	★	2KJ1508 - ■MU13 - ■■G1		578
113	3 788	1.9	13		2KJ1508 - ■MU13 - ■■F1		578
151	2 847	2.3	9.77	★	2KJ1508 - ■MU13 - ■■E1		578
168	2 561	1.6	8.79		2KJ1508 - ■MU13 - ■■D1		578
198	2 168	1.7	7.44	★	2KJ1508 - ■MU13 - ■■C1		578
229	1 873	1.9	6.43		2KJ1508 - ■MU13 - ■■B1		578
305	1 407	2.4	4.83	★	2KJ1508 - ■MU13 - ■■A1		578
K.128-K4-LG1225ZM4E							
74	5 797	0.81	19.92	★	2KJ1507 - ■MU13 - ■■J1		478
88	4 877	0.96	16.76	★	2KJ1507 - ■MU13 - ■■H1		478
98	4 403	1.1	15.13		2KJ1507 - ■MU13 - ■■G1		478
113	3 783	1.2	13	★	2KJ1507 - ■MU13 - ■■F1		478

★ Preferred transmission ratio

Shaft designs, see page 4/83

1, 2, 3, 5, 6 or 9

Frequency and voltage, see page 8/20

1 to 9

Gearbox housing mounting position, see page 4/87

A, D, E, F, H or M

^{*)} For mounting type B3

MOTOX Geared Motors

Bevel helical geared motors

Geared motors up to 200 kW

Selection and ordering data (continued)

Power rating P_{Motor} kW (50 Hz)	Output speed n_2 (50 Hz) rpm	Output torque T_2 Nm	Service factor f_B	Gearbox ratio i_{tot}	Order No.	Order code (No. of poles)	Weight ^{*)} kg
45	K.128-K4-LGI225ZM4E						
	117	3 655	0.88	12.56	2KJ1507 - ■MU13 - ■■E1		478
	136	3 166	0.97	10.88	★ 2KJ1507 - ■MU13 - ■■D1		478
	161	2 666	1.1	9.16	★ 2KJ1507 - ■MU13 - ■■C1		478
	179	2 404	1.2	8.26	2KJ1507 - ■MU13 - ■■B1		478
	208	2 066	1.3	7.1	★ 2KJ1507 - ■MU13 - ■■A1		478
55	K.188-LG250ZM4E						
	23	22 493	0.89	63.38	★ 2KJ1511 - ■NN13 - ■■K1		1 102
	27	19 331	1.0	54.47	2KJ1511 - ■NN13 - ■■J1		1 102
	35	15 058	1.3	42.43	★ 2KJ1511 - ■NN13 - ■■H1		1 102
	43	12 166	1.6	34.28	★ 2KJ1511 - ■NN13 - ■■G1		1 102
	52	10 097	2.0	28.45	★ 2KJ1511 - ■NN13 - ■■F1		1 102
	57	9 206	2.2	25.94	2KJ1511 - ■NN13 - ■■E1		1 102
	65	8 077	2.5	22.76	★ 2KJ1511 - ■NN13 - ■■D1		1 102
	76	6 942	2.9	19.56	2KJ1511 - ■NN13 - ■■C1		1 102
	97	5 405	3.5	15.23	★ 2KJ1511 - ■NN13 - ■■B1		1 102
	K.168-LG250ZM4E						
	33	16 024	0.84	45.15	2KJ1510 - ■NN13 - ■■N1		853
	43	12 262	1.1	34.55	★ 2KJ1510 - ■NN13 - ■■M1		853
	46	11 545	1.2	32.53	2KJ1510 - ■NN13 - ■■L1		853
	52	10 129	1.3	28.54	★ 2KJ1510 - ■NN13 - ■■K1		853
	61	8 567	1.6	24.14	★ 2KJ1510 - ■NN13 - ■■J1		853
	68	7 772	1.7	21.9	2KJ1510 - ■NN13 - ■■H1		853
	78	6 775	1.9	19.09	★ 2KJ1510 - ■NN13 - ■■G1		853
	91	5 753	2.1	16.21	2KJ1510 - ■NN13 - ■■F1		853
	119	4 404	2.5	12.41	★ 2KJ1510 - ■NN13 - ■■E1		853
127	4 142	1.7	11.67	2KJ1510 - ■NN13 - ■■D1		853	
146	3 609	1.9	10.17	★ 2KJ1510 - ■NN13 - ■■C1		853	
171	3 066	2.1	8.64	2KJ1510 - ■NN13 - ■■B1		853	
224	2 346	2.5	6.61	★ 2KJ1510 - ■NN13 - ■■A1		853	
K.148-K4-LGI250ZM4E							
56	9 433	0.85	26.58	2KJ1508 - ■NN13 - ■■L1		668	
64	8 230	0.97	23.19	★ 2KJ1508 - ■NN13 - ■■K1		668	
75	7 041	1.1	19.84	★ 2KJ1508 - ■NN13 - ■■J1		668	
83	6 307	1.3	17.77	2KJ1508 - ■NN13 - ■■H1		668	
98	5 341	1.4	15.05	★ 2KJ1508 - ■NN13 - ■■G1		668	
114	4 614	1.6	13	2KJ1508 - ■NN13 - ■■F1		668	
151	3 467	1.9	9.77	★ 2KJ1508 - ■NN13 - ■■E1		668	
168	3 120	1.3	8.79	2KJ1508 - ■NN13 - ■■D1		668	
199	2 640	1.4	7.44	★ 2KJ1508 - ■NN13 - ■■C1		668	
230	2 282	1.6	6.43	2KJ1508 - ■NN13 - ■■B1		668	
306	1 714	1.9	4.83	★ 2KJ1508 - ■NN13 - ■■A1		668	

★ Preferred transmission ratio

Shaft designs, see page 4/83

1, 2, 3, 5, 6 or 9

Frequency and voltage, see page 8/20

1 to 9

Gearbox housing mounting position, see page 4/87

A, D, E, F, H or M

*) For mounting type B3

MOTOX Geared Motors

Bevel helical geared motors

Geared motors up to 200 kW

Selection and ordering data (continued)

Power rating P_{Motor} kW (50 Hz)	Output speed n_2 (50 Hz) rpm	Output torque T_2 Nm	Service factor f_B	Gearbox ratio i_{tot}	Order No.	Order code (No. of poles)	Weight ^{*)} kg
75	K.188-K4-LGI280S4E						
	35	20 465	0.98	42.43	★ 2KJ1511 - ■ PG13 - ■■ H1		1 227
	43	16 534	1.2	34.28	★ 2KJ1511 - ■ PG13 - ■■ G1		1 227
	52	13 722	1.5	28.45	★ 2KJ1511 - ■ PG13 - ■■ F1		1 227
	57	12 511	1.6	25.94	2KJ1511 - ■ PG13 - ■■ E1		1 227
	65	10 978	1.8	22.76	★ 2KJ1511 - ■ PG13 - ■■ D1		1 227
	76	9 434	2.1	19.56	2KJ1511 - ■ PG13 - ■■ C1		1 227
	98	7 346	2.6	15.23	★ 2KJ1511 - ■ PG13 - ■■ B1		1 227
	123	5 836	3.0	12.1	★ 2KJ1511 - ■ PG13 - ■■ A1		1 227
	K.168-K4-LGI280S4E						
	43	16 664	0.81	34.55	★ 2KJ1510 - ■ PG13 - ■■ M1		978
	46	15 690	0.86	32.53	2KJ1510 - ■ PG13 - ■■ L1		978
	52	13 766	0.98	28.54	★ 2KJ1510 - ■ PG13 - ■■ K1		978
	62	11 643	1.2	24.14	★ 2KJ1510 - ■ PG13 - ■■ J1		978
	68	10 563	1.2	21.9	2KJ1510 - ■ PG13 - ■■ H1		978
	78	9 208	1.4	19.09	★ 2KJ1510 - ■ PG13 - ■■ G1		978
	92	7 818	1.5	16.21	2KJ1510 - ■ PG13 - ■■ F1		978
	120	5 986	1.8	12.41	★ 2KJ1510 - ■ PG13 - ■■ E1		978
	127	5 629	1.2	11.67	2KJ1510 - ■ PG13 - ■■ D1		978
146	4 905	1.4	10.17	★ 2KJ1510 - ■ PG13 - ■■ C1		978	
172	4 167	1.5	8.64	2KJ1510 - ■ PG13 - ■■ B1		978	
225	3 188	1.8	6.61	★ 2KJ1510 - ■ PG13 - ■■ A1		978	
90	K.188-K4-LGI280ZM4E						
	35	24 558	0.81	42.43	★ 2KJ1511 - ■ PW13 - ■■ H1		1 267
	43	19 841	1.0	34.28	★ 2KJ1511 - ■ PW13 - ■■ G1		1 267
	52	16 467	1.2	28.45	★ 2KJ1511 - ■ PW13 - ■■ F1		1 267
	57	15 014	1.3	25.94	2KJ1511 - ■ PW13 - ■■ E1		1 267
	65	13 173	1.5	22.76	★ 2KJ1511 - ■ PW13 - ■■ D1		1 267
	76	11 321	1.8	19.56	2KJ1511 - ■ PW13 - ■■ C1		1 267
	98	8 815	2.2	15.23	★ 2KJ1511 - ■ PW13 - ■■ B1		1 267
	123	7 003	2.5	12.1	★ 2KJ1511 - ■ PW13 - ■■ A1		1 267
	K.168-K4-LGI280ZM4E						
	52	16 519	0.82	28.54	★ 2KJ1510 - ■ PW13 - ■■ K1		1 018
	62	13 972	0.97	24.14	★ 2KJ1510 - ■ PW13 - ■■ J1		1 018
	68	12 675	1.0	21.9	2KJ1510 - ■ PW13 - ■■ H1		1 018
	78	11 049	1.1	19.09	★ 2KJ1510 - ■ PW13 - ■■ G1		1 018
	92	9 382	1.3	16.21	2KJ1510 - ■ PW13 - ■■ F1		1 018
	120	7 183	1.5	12.41	★ 2KJ1510 - ■ PW13 - ■■ E1		1 018
	127	6 754	1.0	11.67	2KJ1510 - ■ PW13 - ■■ D1		1 018
	146	5 886	1.1	10.17	★ 2KJ1510 - ■ PW13 - ■■ C1		1 018
	172	5 001	1.3	8.64	2KJ1510 - ■ PW13 - ■■ B1		1 018
225	3 826	1.5	6.61	★ 2KJ1510 - ■ PW13 - ■■ A1		1 018	

★ Preferred transmission ratio

Shaft designs, see page 4/83

1, 2, 3, 5, 6 or 9

Frequency and voltage, see page 8/20

1 to 9

Gearbox housing mounting position, see page 4/87

A, D, E, F, H or M

^{*)} For mounting type B3

MOTOX Geared Motors

Bevel helical geared motors

Geared motors up to 200 kW

Selection and ordering data (continued)

Power rating P_{Motor} kW (50 Hz)	Output speed n_2 (50 Hz) rpm	Output torque T_2 Nm	Service factor f_B	Gearbox ratio i_{tot}	Order No.	Order code (No. of poles)	Weight ^{*)} kg
110	K.188-K2-LGI315S4E						
	76	13 790	1.5	19.56	2KJ1511 - ■■■■	■ ■ ■ ■ C1	1 447
	98	10 738	1.8	15.23	★ 2KJ1511 - ■■■■	■ ■ ■ ■ B1	1 447
	123	8 531	2.1	12.1	★ 2KJ1511 - ■■■■	■ ■ ■ ■ A1	1 447
132	K.188-K2-LGI315ZM4E						
	76	16 604	1.2	19.56	2KJ1511 - ■■■■	■ ■ ■ ■ C1	1 502
	98	12 929	1.5	15.23	★ 2KJ1511 - ■■■■	■ ■ ■ ■ B1	1 502
	123	10 272	1.7	12.1	★ 2KJ1511 - ■■■■	■ ■ ■ ■ A1	1 502
160	K.188-K2-LGI315L4E						
	76	20 126	0.99	19.56	2KJ1511 - ■■■■	■ ■ ■ ■ C1	1 627
	98	15 671	1.2	15.23	★ 2KJ1511 - ■■■■	■ ■ ■ ■ B1	1 627
	123	12 450	1.4	12.1	★ 2KJ1511 - ■■■■	■ ■ ■ ■ A1	1 627
200	K.188-K2-LGI315ZLB4E						
	76	25 074	0.80	19.56	2KJ1511 - ■■■■	■ ■ ■ ■ C1	1 742
	98	19 523	0.97	15.23	★ 2KJ1511 - ■■■■	■ ■ ■ ■ B1	1 742
	123	15 511	1.1	12.1	★ 2KJ1511 - ■■■■	■ ■ ■ ■ A1	1 742

★ Preferred transmission ratio

Shaft designs, see page 4/83

1, 2, 3, 5, 6 or 9

Frequency and voltage, see page 8/20

1 to 9

Gearbox housing mounting position, see page 4/87

A, D, E, F, H or M

*) For mounting type B3

MOTOX Geared Motors

Bevel helical geared motors

Transmission ratios and maximum torques

Selection and ordering data

Gearbox size	Ratio code	Transmission ratio	Output speed	Nominal torque	Permissible input torque T_1 [Nm]															
					2.5x the value is permissible for a brief period (e.g. motor starting torque)															
Max. gearbox torque Nm	Order No 15th and 16th position	i_{tot}	n_2 (50 Hz) rpm	T_{2N} ($f_B=1$) Nm	Motor size															
					3	3	5	10	20	26	61	98	198	198	291	356	580	1290		
					63	71	80	90	100	112	132	160	180	220	225	250	280	315		
B.28 79 ... 130	D2	57.53	24	130	•															
	C2	48.51 ★	29	130	•	•														
	B2	43.07	33	130	•	•														
	A2	37.76 ★	37	130	•	•	•													
	X1	33.79	41	130	•	•	•													
	W1	29.99 ★	47	130	•	•	•													
	V1	26.28	53	130	•	•	•													
	U1	23.11 ★	61	130	•	•	•													
	T1	20.87	67	130	•	•	•	•												
	S1	18.19 ★	77	130	•	•	•	•												
	R1	16.34	86	130	•	•	•	•												
	Q1	14.75 ★	95	130	•	•	•	•												
	P1	13.38	105	130	•	•	•	•												
	N1	12.17 ★	115	130	•	•	•	•												
	M1	10.76	130	130	•	•	•	•												
	L1	9.94 ★	141	128	•	•	•	•												
	K1	8.56	164	121	•	•	•	•												
	J1	7.78 ★	180	117	•	•	•	•												
	H1	7.49	187	90	•	•	•	•												
	G1	6.76 ★	207	90	•	•	•	•												
F1	6.13	228	90	•	•	•	•													
E1	5.58 ★	251	90	•	•	•	•													
D1	4.94	284	90	•	•	•	•													
C1	4.56 ★	307	87	•	•	•	•													
B1	3.92	357	82	•	•	•	•													
A1	3.57 ★	393	79	•	•	•	•													

★ Preferred transmission ratio

¹⁾ Only possible with integrated motor.

In the case of gearboxes of size 28, only possible with integrated motor or input unit KQ and KQS.

Calculation of maximum output torque T_{2max} for gearboxes with input units:

$$T_{2max} = T_1 \times i_{tot}, \text{ if } T_{2max} \leq T_{2N}$$

If $T_{2max} \geq T_{2N}$ the max. output torque T_{2N} of the unit is the decisive factor.

MOTOX Geared Motors

Bevel helical geared motors

Transmission ratios and maximum torques

Selection and ordering data

Gearbox size	Ratio code	Transmission ratio	Output speed	Nominal torque	Permissible input torque T_1 [Nm]															
					2.5x the value is permissible for a brief period (e.g. motor starting torque)															
Max. gearbox torque Nm	Order No 15th and 16th position	i_{tot}	n_2 (50 Hz) rpm	T_{2N} ($f_B=1$) Nm	Motor size															
					3	3	5	10	20	26	61	98	198	198	291	356	580	1290		
					63	71	80	90	100	112	132	160	180	220	225	250	280	315		
B.38 203 ... 250	U2	65.69	22	200	•															
	T2	57.04 ★	25	250	•	•														
	S2	50.72	29	250	•	•														
	R2	44.00 ★	33	250	•	•	•													
	Q2	41.11	35	250	•	•	•													
	P2	36.16 ★	40	250	•	•	•													
	N2	31.67	46	250	•	•	•	•												
	M2	28.01 ★	52	250	•	•	•	•												
	L2	25.38	57	250	•	•	•	•	•											
	K2	22.41 ★	65	250	•	•	•	•	•											
	J2	20.22	72	245	•	•	•	•	•											
	H2	18.33 ★	79	237	•	•	•	•	•											
	G2	16.70	87	230	•	•	•	•	•											
	F2	15.28 ★	95	225	•	•	•	•	•											
	E2	13.66	106	217	•	•	•	•	•											
	C2	12.50 ★	116	220	•	•	•	•	•											
	A2	11.05 ★	131	223	•	•	•	•	•											
	X1	10.02	145	221	•	•	•	•	•											
	U1	8.84 ★	164	236	•	•	•	•	•											
	S1	7.98	182	236	•	•	•	•	•											
	R1	7.24 ★	200	236	•	•	•	•	•											
P1	6.59	220	236	•	•	•	•	•												
M1	6.03 ★	240	235	•	•	•	•	•												
K1	5.39	269	211	•	•	•	•	•												
H1	4.95 ★	293	221	•	•	•	•	•												
F1	4.46	325	213	•	•	•	•	•												
C1	3.84 ★	378	203	•	•	•	•	•												

★ Preferred transmission ratio

¹⁾ Only possible with integrated motor.

In the case of gearboxes of size 28, only possible with integrated motor or input unit KQ and KQS.

Calculation of maximum output torque T_{2max} for gearboxes with input units:

$$T_{2max} = T_1 \times i_{tot}, \text{ if } T_{2max} \leq T_{2N}$$

If $T_{2max} \geq T_{2N}$ the max. output torque T_{2N} of the unit is the decisive factor.

MOTOX Geared Motors

Bevel helical geared motors

Transmission ratios and maximum torques

Selection and ordering data (continued)

Gearbox size	Ratio code Order No.	Transmission ratio	Output speed	Twisting angle ²⁾	Nominal torque	Permissible input torque T_1 [Nm]													
						2.5x the value is permissible for a brief period (e.g. motor starting torque)													
Max. gearbox torque	15th and 16th position	i_{tot}	n_2 (50 Hz) rpm	φ arcmin	T_{2N} ($f_B=1$) Nm	Motor size													
						3	5	10	20	26	61	98	198	198	291	356	580	1290	
Nm						63	71	80	90	100	112	132	160	180	220	225	250	280	315
K.38-D.28 250	M1	13 129	0.11	–	250	•													
	L1	11 327	★	0.12	–	250	•	•											
	K1	9 731		0.14	–	250	•	•											
	J1	8 959	★	0.16	–	250	•	•	•										
	H1	8 144		0.17	–	250	•	•	•										
	G1	7 209	★	0.19	–	250	•	•	•										
	F1	6 038		0.23	–	250	•	•	•										
	E1	5 148	★	0.27	–	250	•	•	•										
	D1	4 376	★	0.32	–	250	•	•	•										
	C1	3 803		0.37	–	250	•	•	•										
	B1	3 310	★	0.42	–	250	•	•	•										
A1	2 986		0.47	–	250	•	•	•											
K.38-Z.28 250	C2	2 797		0.50	–	250	•												
	B2	2 359	★	0.59	–	250	•	•											
	A2	2 094		0.67	–	250	•	•											
	X1	1 836		0.76	–	250	•	•	•										
	W1	1 643	★	0.85	–	250	•	•	•										
	V1	1 458		0.96	–	250	•	•	•										
	U1	1 278	★	1.10	–	250	•	•	•										
	T1	1 124		1.30	–	250	•	•	•										
	S1	1 015	★	1.40	–	250	•	•	•	•									
	R1	884		1.60	–	250	•	•	•										
	Q1	794	★	1.80	–	250	•	•	•										
	P1	717		1.90	–	250	•	•	•	•									
	N1	650	★	2.10	–	250	•	•	•	•									
	M1	592		2.40	–	250	•	•	•	•									
	L1	523	★	2.70	–	250	•	•	•	•									
	K1	483		2.90	–	250	•	•	•	•									
	J1	416		3.40	–	250	•	•	•	•									
	H1	378		3.70	–	250	•	•	•	•									
	G1	344		4.10	–	250	•	•	•	•									
	F1	312		4.50	–	250	•	•	•	•									
E1	284		4.90	–	250	•	•	•	•										
D1	251		5.60	–	250	•	•	•	•										
C1	231		6.10	–	250	•	•	•	•										
B1	199		7.00	–	250	•	•	•	•										
A1	181		7.70	–	250	•	•	•	•										

★ Preferred transmission ratio

¹⁾ Only possible with integrated motor.

²⁾ Twisting angle applies to reduced-backlash gearboxes.

In the case of gearboxes of size 18 or 28, only possible with integrated motor or input unit KQ and KQS.

Calculation of maximum output torque T_{2max} for gearboxes with input units:

$$T_{2max} = T_1 \times i_{tot}, \text{ if } T_{2max} \leq T_{2N}$$

If $T_{2max} \geq T_{2N}$ the max. output torque T_{2N} of the gearbox is the decisive factor.

Selection and ordering data (continued)

Gearbox size Max. gearbox torque Nm	Ratio code Order No. 15th and 16th position	Transmission ratio i_{tot}	Output speed n_2 (50 Hz) rpm	Twisting angle ²⁾ ϕ arcmin	Nominal torque T_{2N} ($f_B=1$) Nm	Permissible input torque T_1 [Nm]																						
						2.5x the value is permissible for a brief period (e.g. motor starting torque)																						
						3	3	5	10	20	26	61	98	198	198	291	356	580	1290	Motor size								
K.38 148 ... 250	L2	179.13 ★	8.1	15	250	•	•	•																				
	K2	159.04	9.1	15	250	•	•	•																				
	J2	139.43 ★	10.4	15	250	•	•	•	•																			
	H2	124.78	11.6	15	250	•	•	•	•																			
	G2	110.75 ★	13.1	15	250	•	•	•	•																			
	F2	97.05	14.9	15	250	•	•	•	•																			
	E2	85.33 ★	17.0	15	250	•	•	•	•																			
	D2	77.09	18.8	15	250	•	•	•	•																			
	C2	67.18 ★	22.0	15	250	•	•	•	•																			
	B2	60.33	24.0	15	250	•	•	•	•																			
	A2	54.47 ★	27.0	15	250	•	•	•	•																			
	X1	49.38	29.0	15	250	•	•	•	•																			
	W1	44.94 ★	32.0	15	250	•	•	•	•																			
	V1	39.73	36.0	15	250	•	•	•	•																			
	U1	36.69 ★	40.0	15	250	•	•	•	•																			
	T1	31.59	46.0	16	250	•	•	•	•																			
	S1	28.72 ★	50.0	16	250	•	•	•	•																			
	R1	26.90 ★	54.0	17	216	•	•	•	•																			
	Q1	24.16	60.0	17	209	•	•	•	•																			
	P1	21.81 ★	66.0	17	203	•	•	•	•																			
	N1	19.78	73.0	17	197	•	•	•	•																			
	M1	17.99 ★	81.0	17	191	•	•	•	•																			
	L1	15.91	91.0	18	184	•	•	•	•																			
	K1	14.69 ★	99.0	18	180	•	•	•	•	•	1)																	
	J1	12.65	115.0	18	172	•	•	•	•	•	•	1)																
	H1	11.50 ★	126.0	18	167	•	•	•	•	•	•	•	1)															
G1	10.72 ★	135.0	24	159	•	•	•	•	•	•	•	•	1)															
F1	9.72	149.0	24	159	•	•	•	•	•	•	•	•	•	1)														
E1	8.85 ★	164.0	25	159	•	•	•	•	•	•	•	•	•	•	1)													
D1	7.82	185.0	25	159	•	•	•	•	•	•	•	•	•	•	•	1)												
C1	7.22 ★	201.0	25	159	•	•	•	•	•	•	•	•	•	•	•	•	1)											
B1	6.22	233.0	25	152	•	•	•	•	•	•	•	•	•	•	•	•	•	1)										
A1	5.65 ★	257.0	25	148	•	•	•	•	•	•	•	•	•	•	•	•	•	•	1)									

★ Preferred transmission ratio

1) Only possible with integrated motor.

2) Twisting angle applies to reduced-backlash gearboxes.

In the case of gearboxes of size 18 or 28, only possible with integrated motor or input unit KQ and QQS.

Calculation of maximum output torque T_{2max} for gearboxes with input units:

$$T_{2max} = T_1 \times i_{tot}, \text{ if } T_{2max} \leq T_{2N}$$

If $T_{2max} \geq T_{2N}$ the max. output torque T_{2N} of the gearbox is the decisive factor.

MOTOX Geared Motors

Bevel helical geared motors

Transmission ratios and maximum torques

Selection and ordering data (continued)

Gearbox size	Ratio code Order No.	Transmis- sion ratio	Output speed	Twisting angle ²⁾	Nominal torque	Permissible input torque T_1 [Nm]															
						2.5x the value is permissible for a brief period (e.g. motor starting torque)															
Max. gearbox torque Nm	15th and 16th position	i_{tot}	n_2 (50 Hz) rpm	φ arcmin	T_{2N} ($f_B=1$) Nm	Motor size															
						3	3	5	10	20	26	61	98	198	198	291	356	580	1290		
						63	71	80	90	100	112	132	160	180	220	225	250	280	315		
K.48-D.28 450	M1	13 135	0.11	–	450	•															
	L1	11 332	★	0.12	450	•	•														
	K1	9 735		0.14	450	•	•														
	J1	8 963	★	0.16	450	•	•	•													
	H1	8 148		0.17	450	•	•	•													
	G1	7 212	★	0.19	450	•	•	•													
	F1	6 041		0.23	450	•	•	•													
	E1	5 151	★	0.27	450	•	•	•	•												
	D1	4 378	★	0.32	450	•	•	•	•												
	C1	3 805		0.37	450	•	•	•	•												
	B1	3 312	★	0.42	450	•	•	•	•												
A1	2 987		0.47	450	•	•	•	•													
K.48-Z.28 450	C2	2 798		0.50	450	•															
	B2	2 360	★	0.59	450	•	•														
	A2	2 095		0.67	450	•	•														
	X1	1 837	★	0.76	450	•	•	•													
	W1	1 644		0.85	450	•	•	•													
	V1	1 459	★	0.96	450	•	•	•													
	U1	1 279		1.10	450	•	•	•													
	T1	1 124	★	1.30	450	•	•	•													
	S1	1 015		1.40	450	•	•	•	•												
	R1	885	★	1.60	450	•	•	•	•												
	Q1	795		1.80	450	•	•	•	•												
	P1	717	★	2.00	450	•	•	•	•	•											
	N1	651		2.20	450	•	•	•	•	•											
	M1	592	★	2.40	450	•	•	•	•	•											
	L1	523		2.70	450	•	•	•	•	•											
	K1	483	★	2.90	450	•	•	•	•	•											
	J1	416		3.40	450	•	•	•	•	•											
	H1	378	★	3.70	450	•	•	•	•	•											
	G1	344	★	4.10	450	•	•	•	•	•											
	F1	312		4.50	450	•	•	•	•	•											
E1	284	★	4.90	450	•	•	•	•	•												
D1	251		5.60	450	•	•	•	•	•												
C1	232	★	6.10	450	•	•	•	•	•												
B1	199		7.00	450	•	•	•	•	•												
A1	181	★	7.70	450	•	•	•	•	•												

★ Preferred transmission ratio

¹⁾ Only possible with integrated motor.

²⁾ Twisting angle applies to reduced-backlash gearboxes.

In the case of gearboxes of size 18 or 28, only possible with integrated motor or input unit KQ and QQS.

Calculation of maximum output torque T_{2max} for gearboxes with input units:

$$T_{2max} = T_1 \times i_{tot}, \text{ if } T_{2max} \leq T_{2N}$$

If $T_{2max} \geq T_{2N}$ the max. output torque T_{2N} of the gearbox is the decisive factor.

MOTOX Geared Motors

Bevel helical geared motors

Transmission ratios and maximum torques

Selection and ordering data (continued)

Gearbox size	Ratio code Order No.	Transmission ratio	Output speed	Twisting angle ²⁾	Nominal torque	Permissible input torque T_1 [Nm]																										
						2.5x the value is permissible for a brief period (e.g. motor starting torque)																										
						3	3	5	10	20	26	61	98	198	198	291	356	580	1290													
Max. gearbox torque	15th and 16th position	i_{tot}	n_2 (50 Hz)	φ	T_{2N} ($f_B=1$)	Motor size																										
						63	71	80	90	100	112	132	160	180	220	225	250	280	315													
K.48 256 ... 450	J2	169.53 ★	8.6	14	450	•	•	•																								
	H2	150.76	9.6	14	450	•	•	•																								
	G2	130.78 ★	11.1	14	450	•	•	•	•																							
	F2	122.19	11.9	14	450	•	•	•	•																							
	E2	107.47 ★	13.5	14	450	•	•	•	•																							
	D2	94.12	15.4	14	450	•	•	•	•	•																						
	C2	83.25 ★	17.4	14	450	•	•	•	•	•	•																					
	B2	75.45	19.2	14	450	•	•	•	•	•	•	•																				
	A2	66.60 ★	22.0	14	450	•	•	•	•	•	•	•																				
	X1	60.08	24.0	14	450	•	•	•	•	•	•	•																				
	W1	54.49 ★	27.0	14	450	•	•	•	•	•	•	•																				
	V1	49.65	29.0	14	450	•	•	•	•	•	•	•																				
	U1	45.41 ★	32.0	14	450	•	•	•	•	•	•	•																				
	T1	40.60	36.0	14	450	•	•	•	•	•	•	•																				
	S1	37.28 ★	39.0	14	450	•	•	•	•	•	•	•																				
	R1	33.60	43.0	14	450	•	•	•	•	•	•	•																				
	Q1	28.90 ★	50.0	14	450	•	•	•	•	•	•	•																				
	P1	27.55 ★	53.0	16	450	•	•	•	•	•	•	•																				
	N1	24.85	58.0	16	450	•	•	•	•	•	•	•																				
	M1	22.54 ★	64.0	16	450	•	•	•	•	•	•	•																				
	L1	20.54	71.0	16	450	•	•	•	•	•	•	•																				
	K1	18.78 ★	77.0	17	450	•	•	•	•	•	•	•																				
	J1	16.79	86.0	17	450	•	•	•	•	•	•	•																				
	H1	15.42 ★	94.0	17	450	•	•	•	•	•	•	•																				
	G1	13.90	104.0	17	440	•	•	•	•	•	•	•																				
	F1	11.95 ★	121.0	17	420	•	•	•	•	•	•	•																				
	E1	11.35 ★	128.0	23	291	•	•	•	•	•	•	•																				
	D1	10.15	143.0	24	284	•	•	•	•	•	•	•																				
	C1	9.32 ★	156.0	24	277	•	•	•	•	•	•	•																				
	B1	8.40	173.0	24	268	•	•	•	•	•	•	•																				
A1	7.22 ★	201.0	24	256	•	•	•	•	•	•	•																					

★ Preferred transmission ratio

¹⁾ Only possible with integrated motor.

²⁾ Twisting angle applies to reduced-backlash gearboxes.

In the case of gearboxes of size 18 or 28, only possible with integrated motor or input unit KQ and KQS.

Calculation of maximum output torque T_{2max} for gearboxes with input units:

$$T_{2max} = T_1 \times i_{tot}, \text{ if } T_{2max} \leq T_{2N}$$

If $T_{2max} \geq T_{2N}$ the max. output torque T_{2N} of the gearbox is the decisive factor.

MOTOX Geared Motors

Bevel helical geared motors

Transmission ratios and maximum torques

Selection and ordering data (continued)

Gearbox size	Ratio code Order No.	Transmission ratio	Output speed	Twisting angle ²⁾	Nominal torque	Permissible input torque T_1 [Nm]													
						2.5x the value is permissible for a brief period (e.g. motor starting torque)													
Max. gearbox torque Nm	15th and 16th position	i_{tot}	n_2 (50 Hz) rpm	φ arcmin	T_{2N} ($f_B=1$) Nm	3	3	5	10	20	26	61	98	198	198	291	356	580	1290
						Motor size													
						63	71	80	90	100	112	132	160	180	220	225	250	280	315
K.68-D.28 820	M1	20 103	0.07	–	820	*													
	L1	17 343	★	0.08	820	*	*												
	K1	14 900		0.09	820	*	*												
	J1	13 717	★	0.10	820	*	*	*											
	H1	12 470		0.11	820	*	*	*											
	G1	11 038	★	0.13	820	*	*	*											
	F1	9 245		0.15	820	*	*	*											
	E1	7 883	★	0.18	820	*	*	*	*										
	D1	6 700	★	0.21	820	*	*	*	*										
	C1	5 823		0.24	820	*	*	*	*										
	B1	5 068	★	0.28	820	*	*	*	*										
A1	4 572		0.31	820	*	*	*	*											
K.68-Z.28 820	C2	4 282		0.33	820	*													
	B2	3 611	★	0.39	820	*	*												
	A2	3 206		0.44	820	*	*												
	X1	2 811	★	0.50	820	*	*	*											
	W1	2 515		0.56	820	*	*	*											
	V1	2 233	★	0.63	820	*	*	*											
	U1	1 957		0.72	820	*	*	*											
	T1	1 720	★	0.81	820	*	*	*											
	S1	1 554		0.90	820	*	*	*	*										
	R1	1 354	★	1.00	820	*	*	*	*										
	Q1	1 216		1.20	820	*	*	*	*										
	P1	1 098	★	1.30	820	*	*	*	*	*									
	N1	996		1.40	820	*	*	*	*	*									
	M1	906	★	1.60	820	*	*	*	*	*									
	L1	801		1.80	820	*	*	*	*	*									
	K1	740	★	1.90	820	*	*	*	*	*									
	J1	637		2.20	820	*	*	*	*	*									
	H1	579	★	2.40	820	*	*	*	*	*									
	G1	526	★	2.70	820	*	*	*	*	*									
	F1	477		2.90	820	*	*	*	*	*									
E1	434	★	3.20	820	*	*	*	*	*										
D1	384		3.70	820	*	*	*	*	*										
C1	354	★	4.00	820	*	*	*	*	*										
B1	305		4.60	820	*	*	*	*	*										
A1	277	★	5.10	820	*	*	*	*	*										

★ Preferred transmission ratio

¹⁾ Only possible with integrated motor.

²⁾ Twisting angle applies to reduced-backlash gearboxes.

In the case of gearboxes of size 18 or 28, only possible with integrated motor or input unit KQ and QQS.

Calculation of maximum output torque T_{2max} for gearboxes with input units:

$$T_{2max} = T_1 \times i_{tot}, \text{ if } T_{2max} \leq T_{2N}$$

If $T_{2max} \geq T_{2N}$ the max. output torque T_{2N} of the gearbox is the decisive factor.

MOTOX Geared Motors

Bevel helical geared motors

Transmission ratios and maximum torques

Selection and ordering data (continued)

Gearbox size	Ratio code Order No.	Transmis- sion ratio	Output speed	Twisting angle ²⁾	Nominal torque	Permissible input torque T_1 [Nm]														
						2.5x the value is permissible for a brief period (e.g. motor starting torque)														
Max. gearbox torque	15th and 16th position	i_{tot}	n_2 (50 Hz)	φ	T_{2N} ($f_B=1$)	Motor size														
						3	3	5	10	20	26	61	98	198	198	291	356	580	1290	
Nm			rpm	arcmin	Nm	63	71	80	90	100	112	132	160	180	220	225	250	280	315	
K.68 345 ... 820	N2	243.72	5.9	12	820	•	•	•												
	M2	215.68 ★	6.7	12	820	•	•	•	•											
	L2	196.07	7.4	12	820	•	•	•	•											
	K2	176.14 ★	8.2	12	820	•	•	•	•											
	J2	150.98	9.6	12	820	•	•	•	•	•										
	H2	136.60 ★	10.6	12	820	•	•	•	•	•	•									
	G2	126.09	11.5	12	820	•	•	•	•	•	•									
	F2	109.64 ★	13.2	12	820	•	•	•	•	•	•	•								
	E2	99.55	14.6	12	820	•	•	•	•	•	•	•								
	D2	90.89 ★	16.0	12	820	•	•	•	•	•	•	•								
	C2	83.40	17.4	12	820	•	•	•	•	•	•	•								
	B2	76.84 ★	18.9	12	820	•	•	•	•	•	•	•								
	A2	69.78	21.0	12	820	•	•	•	•	•	•	•								
	X1	63.57 ★	23.0	12	820	•	•	•	•	•	•	•								
	W1	58.23	25.0	12	820	•	•	•	•	•	•	•								
	V1	51.96 ★	28.0	12	820	•	•	•	•	•	•	•								
	U1	46.37	31.0	12	820			•	•	•	•	•								
	T1	39.39	37.0	12	820			•	•	•	•	•								
	S1	32.78 ★	44.0	13	820			•	•	•	•	•								
	R1	30.38	48.0	14	820	•	•	•	•	•	•	•								
	Q1	27.99 ★	52.0	14	820	•	•	•	•	•	•	•								
	P1	25.42	57.0	14	820	•	•	•	•	•	•	•								
	N1	23.16 ★	63.0	14	820	•	•	•	•	•	•	•								
	M1	21.22	68.0	14	820	•	•	•	•	•	•	•								
	L1	18.93 ★	77.0	14	820	•	•	•	•	•	•	•								
	K1	16.89	86.0	14	820			•	•	•	•	•								
	J1	14.35	101.0	14	812			•	•	•	•	•								
	H1	11.94 ★	121.0	15	768			•	•	•	•	•								
G1	11.41	127.0	21	434	•	•	•	•	•	•	•									
F1	10.40 ★	139.0	21	422	•	•	•	•	•	•	•									
E1	9.52	152.0	21	411	•	•	•	•	•	•	•									
D1	8.50 ★	171.0	21	397	•	•	•	•	•	•	•									
C1	7.58	191.0	22	383			•	•	•	•	•									
B1	6.44	225.0	22	365			•	•	•	•	•									
A1	5.36 ★	271.0	23	345			•	•	•	•	•									

★ Preferred transmission ratio

¹⁾ Only possible with integrated motor.

²⁾ Twisting angle applies to reduced-backlash gearboxes.

In the case of gearboxes of size 18 or 28, only possible with integrated motor or input unit KQ and QKS.

Calculation of maximum output torque T_{2max} for gearboxes with input units:

$$T_{2max} = T_1 \times i_{tot}; \text{ if } T_{2max} \leq T_{2N}$$

If $T_{2max} \geq T_{2N}$ the max. output torque T_{2N} of the gearbox is the decisive factor.

MOTOX Geared Motors

Bevel helical geared motors

Transmission ratios and maximum torques

Selection and ordering data (continued)

Gearbox size	Ratio code Order No.	Transmis- sion ratio	Output speed	Twisting angle ²⁾	Nominal torque	Permissible input torque T_1 [Nm]															
						2.5x the value is permissible for a brief period (e.g. motor starting torque)															
Max. gearbox torque Nm	15th and 16th position	i_{tot}	n_2 (50 Hz) rpm	φ arcmin	T_{2N} ($f_B=1$) Nm	Motor size															
						3	3	5	10	20	26	61	98	198	198	291	356	580	1290		
						63	71	80	90	100	112	132	160	180	220	225	250	280	315		
K.88-D.28 1 650	M1	24 920	0.06	–	1 650	•															
	L1	21 499	★	0.07	1 650	•	•														
	K1	18 470		0.08	1 650	•	•														
	J1	17 005	★	0.08	1 650	•	•	•													
	H1	15 459		0.09	1 650	•	•	•													
	G1	13 683	★	0.10	1 650	•	•	•													
	F1	11 460		0.12	1 650	•	•	•													
	E1	9 772	★	0.14	1 650	•	•	•	•												
	D1	8 306	★	0.17	1 650	•	•	•	•												
	C1	7 218		0.19	1 650	•	•	•	•												
	B1	6 283	★	0.22	1 650	•	•	•	•												
A1	5 667		0.25	1 650	•	•	•	•													
K.88-Z.28 1 650	C2	5 309		0.26	1 650	•															
	B2	4 477	★	0.31	1 650	•	•														
	A2	3 975		0.35	1 650	•	•														
	X1	3 485	★	0.40	1 650	•	•	•													
	W1	3 118		0.45	1 650	•	•	•													
	V1	2 768	★	0.51	1 650	•	•	•													
	U1	2 426		0.58	1 650	•	•	•													
	T1	2 133	★	0.66	1 650	•	•	•													
	S1	1 926		0.73	1 650	•	•	•	•												
	R1	1 679	★	0.83	1 650	•	•	•	•												
	Q1	1 508		0.93	1 650	•	•	•	•												
	P1	1 361	★	1.00	1 650	•	•	•	•	•											
	N1	1 234		1.10	1 650	•	•	•	•	•											
	M1	1 123	★	1.30	1 650	•	•	•	•	•											
	L1	993		1.40	1 650	•	•	•	•	•											
	K1	917	★	1.50	1 650	•	•	•	•	•											
	J1	789		1.80	1 650	•	•	•	•	•											
	H1	718	★	2.00	1 650	•	•	•	•	•											
	G1	652	★	2.20	1 650	•	•	•	•	•											
	F1	591		2.40	1 650	•	•	•	•	•											
E1	538	★	2.60	1 650	•	•	•	•	•												
D1	476		2.90	1 650	•	•	•	•	•												
C1	439	★	3.20	1 650	•	•	•	•	•												
B1	378		3.70	1 650	•	•	•	•	•												
A1	344	★	4.10	1 650	•	•	•	•	•												

★ Preferred transmission ratio

¹⁾ Only possible with integrated motor.

²⁾ Twisting angle applies to reduced-backlash gearboxes.

In the case of gearboxes of size 18 or 28, only possible with integrated motor or input unit KQ and KQS.

Calculation of maximum output torque T_{2max} for gearboxes with input units:

$$T_{2max} = T_1 \times i_{tot}, \text{ if } T_{2max} \leq T_{2N}$$

If $T_{2max} \geq T_{2N}$ the max. output torque T_{2N} of the gearbox is the decisive factor.

Selection and ordering data (continued)

Gearbox size	Ratio code Order No.	Transmission ratio	Output speed	Twisting angle ²⁾	Nominal torque	Permissible input torque T_1 [Nm]															
						2.5x the value is permissible for a brief period (e.g. motor starting torque)															
						3	3	5	10	20	26	61	98	198	198	291	356	580	1290		
Max. gearbox torque	15th and 16th position	i_{tot}	n_2 (50 Hz)	φ	T_{2N} ($f_B=1$)	Motor size															
Nm			rpm	arcmin	Nm	63	71	80	90	100	112	132	160	180	220	225	250	280	315		
K.88 651 ... 1 650	M2	302.68 ★	4.8	10	1 540	•	•	•	•												
	L2	272.95	5.3	10	1 650	•	•	•	•												
	K2	246.13 ★	5.9	10	1 650	•	•	•	•												
	J2	215.25	6.7	10	1 650	•	•	•	•	•											
	H2	193.24 ★	7.5	10	1 650	•	•	•	•	•	•										
	G2	176.50	8.2	10	1 650	•	•	•	•	•	•										
	F2	156.63 ★	9.3	10	1 650	•	•	•	•	•	•	•									
	E2	144.58	10.0	10	1 650	•	•	•	•	•	•	•	•								
	D2	130.77 ★	11.1	10	1 650	•	•	•	•	•	•	•	•								
	C2	120.42	12.0	10	1 650	•	•	•	•	•	•	•	•								
	B2	111.37 ★	13.0	10	1 650	•	•	•	•	•	•	•	•	•	1)						
	A2	103.38	14.0	10	1 650	•	•	•	•	•	•	•	•	•	•	1)					
	X1	91.22 ★	15.9	10	1 650	•	•	•	•	•	•	•	•	•	•	1)					
	W1	84.21	17.2	10	1 650	•	•	•	•	•	•	•	•	•	•	1)					
	V1	75.45 ★	19.2	10	1 650	•	•	•	•	•	•	•	•	•	•	1)					
	U1	69.57	21.0	10	1 650			•	•	•	•	•	•	•	•	1)					
	T1	58.37	25.0	10	1 650			•	•	•	•	•	•	•	•	1)					
	S1	49.80 ★	29.0	10	1 650			•	•	•	•	•	•	•	•	1)					
	Q1	41.50	35.0	10	1 650					•	•	•	•	•	•	1)					
	P1	34.40 ★	42.0	10	1 650					•	•	•	•	•	•	1)					
	N1	30.87 ★	47.0	12	1 650	•	•	•	•	•	•	•	•	•	•	1)					
	M1	28.50	51.0	12	1 650	•	•	•	•	•	•	•	•	•	•	•	1)				
	L1	25.53 ★	57.0	12	1 650	•	•	•	•	•	•	•	•	•	•	•	1)				
	K1	23.54	62.0	12	1 650			•	•	•	•	•	•	•	•	•	1)				
	J1	19.75	73.0	12	1 572			•	•	•	•	•	•	•	•	•	1)				
	H1	16.85 ★	86.0	12	1 498			•	•	•	•	•	•	•	•	•	1)				
	G1	14.04	103.0	12	1 417					•	•	•	•	•	•	•	1)				
	F1	11.64 ★	125.0	12	1 339					•	•	•	•	•	•	•	1)				
	E1	11.21	129.0	18	806			•	•	•	•	•	•	•	•	•	1)				
	D1	9.41	154.0	18	764			•	•	•	•	•	•	•	•	•	1)				
	C1	8.03 ★	181.0	19	728			•	•	•	•	•	•	•	•	•	1)				
	B1	6.69	217.0	19	689					•	•	•	•	•	•	•	1)				
A1	5.54 ★	262.0	19	651					•	•	•	•	•	•	•	1)					

★ Preferred transmission ratio

1) Only possible with integrated motor.

2) Twisting angle applies to reduced-backlash gearboxes.

In the case of gearboxes of size 18 or 28, only possible with integrated motor or input unit KQ and QQS.

Calculation of maximum output torque T_{2max} for gearboxes with input units:

$$T_{2max} = T_1 \times i_{tot}, \text{ if } T_{2max} \leq T_{2N}$$

If $T_{2max} \geq T_{2N}$ the max. output torque T_{2N} of the gearbox is the decisive factor.

MOTOX Geared Motors

Bevel helical geared motors

Transmission ratios and maximum torques

Selection and ordering data (continued)

Gearbox size	Ratio code Order No.	Transmission ratio	Output speed	Twisting angle ²⁾	Nominal torque	Permissible input torque T_1 [Nm]															
						2.5x the value is permissible for a brief period (e.g. motor starting torque)															
Max. gearbox torque Nm	15th and 16th position	i_{tot}	n_2 (50 Hz) rpm	φ arcmin	T_{2N} ($f_B=1$) Nm	Motor size															
						3	3	5	10	20	26	61	98	198	198	291	356	580	1290		
						63	71	80	90	100	112	132	160	180	220	225	250	280	315		
K.108-D38 3 000	P1	58 914	0.02	–	3 000	*	*	*													
	N1	52 306	0.03	–	3 000	*	*	*													
	M1	45 858	0.03	–	3 000	*	*	*	*												
	L1	41 037	0.04	–	3 000	*	*	*	*												
	K1	36 423	0.04	–	3 000	*	*	*	*												
	J1	31 918	0.05	–	3 000	*	*	*	*												
	H1	28 064	0.05	–	3 000	*	*	*	*												
	G1	25 354	0.06	–	3 000	*	*	*	*	*											
	F1	22 093	0.07	–	3 000	*	*	*	*	*											
	E1	19 842	0.07	–	3 000	*	*	*	*	*											
	D1	17 913	0.08	–	3 000	*	*	*	*	*											
	C1	16 241	0.09	–	3 000	*	*	*	*	*											
	B1	14 778	0.10	–	3 000	*	*	*	*	*											
A1	13 066	0.11	–	3 000	*	*	*	*	*												
K.108-Z38 3 000	W1	13 556	0.11	–	3 000	*	*	*													
	V1	12 055	0.12	–	3 000	*	*	*													
	U1	10 457	0.14	–	3 000	*	*	*	*												
	T1	9 771	0.15	–	3 000	*	*	*	*												
	S1	8 593	0.17	–	3 000	*	*	*	*												
	R1	7 526	0.19	–	3 000	*	*	*	*	*											
	Q1	6 657	0.22	–	3 000	*	*	*	*	*											
	P1	6 033	0.24	–	3 000	*	*	*	*	*											
	N1	5 326	0.27	–	3 000	*	*	*	*	*											
	M1	4 804	0.30	–	3 000	*	*	*	*	*											
	L1	4 357	0.33	–	3 000	*	*	*	*	*											
	K1	3 970	0.37	–	3 000	*	*	*	*	*											
	J1	3 631	0.40	–	3 000	*	*	*	*	*											
	H1	3 247	0.45	–	3 000	*	*	*	*	*											
	G1	2 981	0.49	–	3 000	*	*	*	*	*											
	F1	2 687	0.54	–	3 000	*	*	*	*	*											
	E1	2 311	0.63	–	3 000	*	*	*	*	*											
D1	2 060	0.70	–	3 000	*	*	*	*	*												
C1	1 892	0.77	–	3 000	*	*	*	*	*												
B1	1 705	0.85	–	3 000	*	*	*	*	*												
A1	1 466	0.99	–	3 000	*	*	*	*	*												
K.108-Z48 3 000	P1	1 343	1.08	–	3 000	*	*	*	*	*											
	N1	1 233	1.18	–	3 000	*	*	*	*	*											
	M1	1 136	1.28	–	3 000	*	*	*	*	*											
	L1	1 031	1.41	–	3 000	*	*	*	*	*											
	K1	940	1.54	–	3 000	*	*	*	*	*											
	J1	861	1.68	–	3 000	*	*	*	*	*											
	H1	768	1.89	–	3 000	*	*	*	*	*											
	G1	685	2.12	–	3 000		*	*	*	*											
	F1	582	2.49	–	3 000		*	*	*	*											
	E1	485	2.99	–	3 000		*	*	*	*											
	D1	477	3.04	–	3 000	*	*	*	*	*											
	C1	426	3.40	–	3 000		*	*	*	*											
	B1	361	4.02	–	3 000		*	*	*	*											
A1	301	4.82	–	3 000		*	*	*	*												

★ Preferred transmission ratio

¹⁾ Only possible with integrated motor.

²⁾ Twisting angle applies to reduced-backlash gearboxes.

In the case of gearboxes of size 18 or 28, only possible with integrated motor or input unit KQ and KQS.

Calculation of maximum output torque T_{2max} for gearboxes with input units:

$$T_{2max} = T_1 \times i_{tot}, \text{ if } T_{2max} \leq T_{2N}$$

If $T_{2max} \geq T_{2N}$ the max. output torque T_{2N} of the gearbox is the decisive factor.

MOTOX Geared Motors

Bevel helical geared motors

Transmission ratios and maximum torques

Selection and ordering data (continued)

Gearbox size	Ratio code Order No.	Transmission ratio	Output speed	Twisting angle ²⁾	Nominal torque	Permissible input torque T_1 [Nm]															
						2.5x the value is permissible for a brief period (e.g. motor starting torque)															
Max. gearbox torque Nm	15th and 16th position	i_{tot}	n_2 (50 Hz) rpm	φ arcmin	T_{2N} ($f_B=1$) Nm	3	3	5	10	20	26	61	98	198	198	291	356	580	1290		
						Motor size															
						63	71	80	90	100	112	132	160	180	220	225	250	280	315		
K.108 1 656 ... 3 000	K2	307.24	4.70	10	2 906			•	•												
	J2	278.10 ★	5.20	10	2 830			•	•												
	H2	243.47	6.00	10	3 000			•	•	•											
	G2	219.64 ★	6.60	10	3 000			•	•	•	•										
	F2	201.11	7.20	10	3 000			•	•	•	•										
	E2	178.90 ★	8.10	10	3 000			•	•	•	•	•									
	D2	163.51	8.90	10	3 000			•	•	•	•	•									
	C2	150.31 ★	9.60	10	3 000			•	•	•	•	•	•								
	B2	138.87	10.40	10	3 000			•	•	•	•	•	•								
	A2	128.86 ★	11.30	10	3 000			•	•	•	•	•	•	•							
	X1	120.03	12.10	10	3 000			•	•	•	•	•	•	•							
	W1	108.52 ★	13.40	10	3 000			•	•	•	•	•	•	•	•						
	V1	99.90	14.50	10	3 000			•	•	•	•	•	•	•	•						
	U1	89.85 ★	16.10	10	3 000			•	•	•	•	•	•	•	•	•					
	T1	82.90	17.50	10	3 000			•	•	•	•	•	•	•	•	•					
	S1	70.24	21.00	10	3 000			•	•	•	•	•	•	•	•	•	•				
	R1	61.22 ★	24.00	10	3 000			•	•	•	•	•	•	•	•	•	•				
	Q1	52.08	28.00	10	3 000						•	•	•	•	•	•	•				
	P1	44.44 ★	33.00	10	3 000							•	•	•	•	•	•	•			
	N1	36.44 ★	40.00	10	2 832							•	•	•	•	•	•	•			
	M1	33.87 ★	43.00	11	3 000							•	•	•	•	•	•	•			
	L1	31.25	46.00	11	3 000							•	•	•	•	•	•	•	•		
	K1	26.48	55.00	11	2 882							•	•	•	•	•	•	•	•		
	J1	23.08 ★	63.00	11	2 764							•	•	•	•	•	•	•	•		
	G1	19.63	74.00	11	2 632								•	•	•	•	•	•	•		
	F1	16.75 ★	87.00	11	2 509									•	•	•	•	•	•		
	E1	13.74 ★	106.00	11	2 362										•	•	•	•	•		
D1	12.90 ★	112.00	15	1 938										•	•	•	•	•			
C1	10.97	132.00	16	1 845											•	•	•	•			
B1	9.36 ★	155.00	16	1 759												•	•	•			
A1	7.68 ★	189.00	16	1 656													•	•			

★ Preferred transmission ratio

¹⁾ Only possible with integrated motor.

²⁾ Twisting angle applies to reduced-backlash gearboxes.

In the case of gearboxes of size 18 or 28, only possible with integrated motor or input unit KQ and QQS.

Calculation of maximum output torque T_{2max} for gearboxes with input units:

$$T_{2max} = T_1 \times i_{tot}, \text{ if } T_{2max} \leq T_{2N}$$

If $T_{2max} \geq T_{2N}$ the max. output torque T_{2N} of the gearbox is the decisive factor.

MOTOX Geared Motors

Bevel helical geared motors

Transmission ratios and maximum torques

Selection and ordering data (continued)

Gearbox size	Ratio code Order No.	Transmission ratio	Output speed	Twisting angle ²⁾	Nominal torque	Permissible input torque T_1 [Nm]															
						2.5x the value is permissible for a brief period (e.g. motor starting torque)															
Max. gearbox torque Nm	15th and 16th position	i_{tot}	n_2 (50 Hz) rpm	φ arcmin	T_{2N} ($f_B=1$) Nm	Motor size															
						3	3	5	10	20	26	61	98	198	198	291	356	580	1290		
						63	71	80	90	100	112	132	160	180	220	225	250	280	315		
K.128-D38 4 700	P1	56 640	★	0.03	–	4 700	•	•	•												
	N1	50 287		0.03	–	4 700	•	•	•												
	M1	44 087	★	0.03	–	4 700	•	•	•	•											
	L1	39 453		0.04	–	4 700	•	•	•	•											
	K1	35 017	★	0.04	–	4 700	•	•	•	•											
	J1	30 686		0.05	–	4 700	•	•	•	•											
	H1	26 980	★	0.05	–	4 700	•	•	•	•											
	G1	24 375		0.06	–	4 700	•	•	•	•											
	F1	21 240	★	0.07	–	4 700	•	•	•	•											
	E1	19 076		0.08	–	4 700	•	•	•	•											
	D1	17 221	★	0.08	–	4 700	•	•	•	•											
	C1	15 614		0.09	–	4 700	•	•	•	•											
	B1	14 208	★	0.10	–	4 700	•	•	•	•											
A1	12 562		0.12	–	4 700	•	•	•	•												
K.128-Z38 4 700	W1	13 032	★	0.11	–	4 700	•	•	•												
	V1	11 590		0.13	–	4 700	•	•	•												
	U1	10 054	★	0.14	–	4 700	•	•	•	•											
	T1	9 394		0.15	–	4 700	•	•	•	•											
	S1	8 262	★	0.18	–	4 700	•	•	•	•											
	R1	7 236		0.20	–	4 700	•	•	•	•	•										
	Q1	6 400	★	0.23	–	4 700	•	•	•	•	•										
	P1	5 800		0.25	–	4 700	•	•	•	•	•										
	N1	5 120	★	0.28	–	4 700	•	•	•	•	•										
	M1	4 619		0.31	–	4 700	•	•	•	•	•										
	L1	41 89	★	0.35	–	4 700	•	•	•	•	•										
	K1	3 817		0.38	–	4 700	•	•	•	•	•										
	J1	3 491	★	0.42	–	4 700	•	•	•	•	•										
	H1	3 121		0.46	–	4 700	•	•	•	•	•										
	G1	2 866	★	0.51	–	4 700	•	•	•	•	•										
	F1	2 583		0.56	–	4 700	•	•	•	•	•										
	E1	2 221	★	0.65	–	4 700	•	•	•	•	•										
D1	1 981		0.73	–	4 700	•	•	•	•	•											
C1	1 819	★	0.80	–	4 700	•	•	•	•	•											
B1	1 639		0.88	–	4 700	•	•	•	•	•											
A1	1 410	★	1.03	–	4 700	•	•	•	•	•											
K.128-Z48 4 700	P1	1 400		1.04	–	4 700	•	•	•	•	•										
	N1	1 284		1.13	–	4 700	•	•	•	•	•										
	M1	1 183		1.23	–	4 700	•	•	•	•	•										
	L1	1 074		1.35	–	4 700	•	•	•	•	•										
	K1	979		1.48	–	4 700	•	•	•	•	•										
	J1	897		1.62	–	4 700	•	•	•	•	•										
	H1	800		1.81	–	4 700	•	•	•	•	•										
	G1	714		2.03	–	4 700			•	•	•	•									
	F1	606		2.39	–	4 700			•	•	•	•									
	E1	505		2.87	–	4 700			•	•	•	•									
	D1	497		2.92	–	4 700	•	•	•	•	•	•									
	C1	443		3.27	–	4 700			•	•	•	•									
	B1	377		3.85	–	4 700			•	•	•	•									
A1	313		4.63	–	4 700			•	•	•	•										

★ Preferred transmission ratio

¹⁾ Only possible with integrated motor.²⁾ Twisting angle applies to reduced-backlash gearboxes.

In the case of gearboxes of size 18 or 28, only possible with integrated motor or input unit KQ and KQS.

Calculation of maximum output torque T_{2max} for gearboxes with input units:

$$T_{2max} = T_1 \times i_{tot}; \text{ if } T_{2max} \leq T_{2N}$$

If $T_{2max} \geq T_{2N}$ the max. output torque T_{2N} of the gearbox is the decisive factor.

Selection and ordering data (continued)

Gearbox size	Ratio code Order No.	Transmission ratio	Output speed	Twisting angle ²⁾	Nominal torque	Permissible input torque T_1 [Nm]															
						2.5x the value is permissible for a brief period (e.g. motor starting torque)															
Max. gearbox torque Nm	15th and 16th position	i_{tot}	n_2 (50 Hz) rpm	φ arcmin	T_{2N} ($f_B=1$) Nm	3	3	5	10	20	26	61	98	198	198	291	356	580	1290		
						Motor size															
						63	71	80	90	100	112	132	160	180	220	225	250	280	315		
K.128 2 707 ... 4 700	L2	295.38 ★	4.9	8	4 700				•	•	•										
	K2	270.90	5.4	8	4 700				•	•	•										
	J2	242.02 ★	6.0	8	4 700				•	•	•	•									
	H2	221.64	6.5	8	4 700				•	•	•	•									
	G2	204.18 ★	7.1	8	4 700				•	•	•	•									
	F2	189.04	7.7	8	4 700				•	•	•	•									
	E2	175.80 ★	8.2	8	4 700				•	•	•	•	•								
	D2	164.11	8.8	8	4 700				•	•	•	•	•	•							
	C2	146.84 ★	9.9	8	4 700				•	•	•	•	•	•	•						
	B2	136.06	10.7	8	4 700				•	•	•	•	•	•	•	•					
	A2	124.73 ★	11.6	8	4 700				•	•	•	•	•	•	•	•	•				1)
	X1	114.34	12.7	8	4 700				•	•	•	•	•	•	•	•	•				1)
	W1	97.44	14.9	8	4 700				•	•	•	•	•	•	•	•	•				1)
	V1	85.98 ★	16.9	8	4 700				•	•	•	•	•	•	•	•	•				1)
	U1	73.18	19.8	8	4 700				•	•	•	•	•	•	•	•	•				1)
	T1	63.41 ★	23.0	8	4 700				•	•	•	•	•	•	•	•	•				1)
	S1	53.36 ★	27.0	8	4 700				•	•	•	•	•	•	•	•	•				1)
	R1	48.14	30.0	8	4 700				•	•	•	•	•	•	•	•	•				1)
	Q1	41.38 ★	35.0	8	4 700				•	•	•	•	•	•	•	•	•				1)
	P1	39.19 ★	37.0	9	4 700				•	•	•	•	•	•	•	•	•				1)
	N1	35.92	40.0	9	4 700				•	•	•	•	•	•	•	•	•				1)
	M1	30.61	47.0	9	4 700				•	•	•	•	•	•	•	•	•				1)
	L1	27.02 ★	54.0	9	4 700				•	•	•	•	•	•	•	•	•				1)
	K1	22.99	63.0	9	4 700				•	•	•	•	•	•	•	•	•				1)
	J1	19.92 ★	73.0	9	4 700				•	•	•	•	•	•	•	•	•				1)
	H1	16.76 ★	87.0	9	4 700				•	•	•	•	•	•	•	•	•				1)
	G1	15.13	96.0	9	4 626				•	•	•	•	•	•	•	•	•				1)
	F1	13.00 ★	112.0	10	4 419				•	•	•	•	•	•	•	•	•				1)
	E1	12.56	115.0	13	3 217				•	•	•	•	•	•	•	•	•				1)
	D1	10.88 ★	133.0	13	3 081				•	•	•	•	•	•	•	•	•				1)
	C1	9.16 ★	158.0	13	2 924				•	•	•	•	•	•	•	•	•				1)
	B1	8.26	176.0	14	2 834				•	•	•	•	•	•	•	•	•				1)
	A1	7.10 ★	204.0	14	2 707				•	•	•	•	•	•	•	•	•				1)

★ Preferred transmission ratio

¹⁾ Only possible with integrated motor.

²⁾ Twisting angle applies to reduced-backlash gearboxes.

In the case of gearboxes of size 18 or 28, only possible with integrated motor or input unit KQ and QQS.

Calculation of maximum output torque T_{2max} for gearboxes with input units:

$$T_{2max} = T_1 \times i_{tot}, \text{ if } T_{2max} \leq T_{2N}$$

If $T_{2max} \geq T_{2N}$ the max. output torque T_{2N} of the gearbox is the decisive factor.

MOTOX Geared Motors

Bevel helical geared motors

Transmission ratios and maximum torques

Selection and ordering data (continued)

Gearbox size	Ratio code Order No.	Transmission ratio	Output speed	Twisting angle ²⁾	Nominal torque	Permissible input torque T_1 [Nm]															
						2.5x the value is permissible for a brief period (e.g. motor starting torque)															
Max. gearbox torque Nm	15th and 16th position	i_{tot}	n_2 (50 Hz) rpm	φ arcmin	T_{2N} ($f_B=1$) Nm	3	3	5	10	20	26	61	98	198	198	291	356	580	1290		
						Motor size															
						63	71	80	90	100	112	132	160	180	220	225	250	280	315		
K.148-D38 8 000	P1	58 692	0.02	–	8 000	*	*	*													
	N1	52 109	0.03	–	8 000	*	*	*													
	M1	45 684	0.03	–	8 000	*	*	*	*												
	L1	40 882	0.04	–	8 000	*	*	*	*												
	K1	36 286	0.04	–	8 000	*	*	*	*												
	J1	31 797	0.05	–	8 000	*	*	*	*												
	H1	27 958	0.05	–	8 000	*	*	*	*												
	G1	25 258	0.06	–	8 000	*	*	*	*	*											
	F1	22 009	0.07	–	8 000	*	*	*	*	*											
	E1	19 767	0.07	–	8 000	*	*	*	*	*											
	D1	17 845	0.08	–	8 000	*	*	*	*	*											
	C1	16 180	0.09	–	8 000	*	*	*	*	*											
	B1	14 722	0.10	–	8 000	*	*	*	*	*											
A1	13 017	0.11	–	8 000	*	*	*	*	*												
K.148-Z38 8 000	W1	13 505	0.11	–	8 000	*	*	*													
	V1	12 009	0.12	–	8 000	*	*	*													
	U1	10 418	0.14	–	8 000	*	*	*	*												
	T1	9 734	0.15	–	8 000	*	*	*	*												
	S1	8 561	0.17	–	8 000	*	*	*	*												
	R1	7 498	0.19	–	8 000	*	*	*	*	*											
	Q1	6 632	0.22	–	8 000	*	*	*	*	*											
	P1	6 010	0.24	–	8 000	*	*	*	*	*											
	N1	5 305	0.27	–	8 000	*	*	*	*	*											
	M1	4 786	0.30	–	8 000	*	*	*	*	*											
	L1	4 341	0.33	–	8 000	*	*	*	*	*											
	K1	3 955	0.37	–	8 000	*	*	*	*	*											
	J1	3 617	0.40	–	8 000	*	*	*	*	*											
	H1	3 234	0.45	–	8 000	*	*	*	*	*											
	G1	2 970	0.49	–	8 000	*	*	*	*	*											
	F1	2 677	0.54	–	8 000	*	*	*	*	*											
	E1	2 302	0.63	–	8 000	*	*	*	*	*											
	D1	2 053	0.71	–	8 000	*	*	*	*	*											
	C1	1 885	0.77	–	8 000	*	*	*	*	*											
B1	1 699	0.85	–	8 000	*	*	*	*	*												
A1	1 466	0.99	–	8 000	*	*	*	*	*												
K.148-Z68 8 000	L1	1 392	1.04	–	8 000	*	*	*	*	*											
	K1	1 247	1.16	–	8 000	*	*	*	*	*											
	J1	1 150	1.26	–	8 000			*	*	*	*										
	H1	965	1.50	–	8 000			*	*	*	*										
	G1	823	1.76	–	8 000			*	*	*	*										
	F1	686	2.11	–	8 000					*	*	*									
	E1	569	2.55	–	8 000					*	*	*									
	D1	502	2.89	–	8 000					*	*	*	*								
	C1	428	3.39	–	8 000					*	*	*	*								
	B1	357	4.06	–	8 000					*	*	*	*								
	A1	296	4.90	–	8 000					*	*	*	*								

★ Preferred transmission ratio

¹⁾ Only possible with integrated motor.

²⁾ Twisting angle applies to reduced-backlash gearboxes.

In the case of gearboxes of size 18 or 28, only possible with integrated motor or input unit KQ and KQS.

Calculation of maximum output torque T_{2max} for gearboxes with input units:

$$T_{2max} = T_1 \times i_{tot}, \text{ if } T_{2max} \leq T_{2N}$$

If $T_{2max} \geq T_{2N}$ the max. output torque T_{2N} of the gearbox is the decisive factor.

MOTOX Geared Motors

Bevel helical geared motors

Transmission ratios and maximum torques

Selection and ordering data (continued)

Gearbox size	Ratio code Order No.	Transmission ratio	Output speed	Twisting angle ²⁾	Nominal torque	Permissible input torque T_1 [Nm]															
						2.5x the value is permissible for a brief period (e.g. motor starting torque)															
Max. gearbox torque Nm	15th and 16th position	i_{tot}	n_2 (50 Hz) rpm	φ arcmin	T_{2N} ($f_B=1$) Nm	Motor size															
						3	3	5	10	20	26	61	98	198	198	291	356	580	1290		
						63	71	80	90	100	112	132	160	180	220	225	250	280	315		
K.168-D48 13 500	P1	60 115	★	0.02	–	13 500	•	•	•												
	N1	53 459		0.03	–	13 500	•	•	•												
	M1	46 374	★	0.03	–	13 500	•	•	•	•											
	L1	43 330		0.03	–	13 500	•	•	•	•											
	K1	38 109	★	0.04	–	13 500	•	•	•	•											
	J1	33 375		0.04	–	13 500	•	•	•	•	•										
	H1	29 521	★	0.05	–	13 500	•	•	•	•	•										
	G1	26 754		0.05	–	13 500	•	•	•	•	•										
	F1	23 617	★	0.06	–	13 500	•	•	•	•	•										
	E1	21 304		0.07	–	13 500	•	•	•	•	•										
	D1	19 323	★	0.08	–	13 500	•	•	•	•	•										
	C1	17 605		0.08	–	13 500	•	•	•	•	•										
	B1	16 102	★	0.09	–	13 500	•	•	•	•	•										
A1	14 397		0.10	–	13 500	•	•	•	•	•											
K.168-Z48 13 500	A2	14 767		0.10	–	13 500	•	•	•												
	X1	13 068	★	0.11	–	13 500	•	•	•	•											
	W1	11 880		0.12	–	13 500	•	•	•	•											
	V1	10 673	★	0.14	–	13 500	•	•	•	•											
	U1	9 148		0.16	–	13 500	•	•	•	•	•										
	T1	8 277	★	0.18	–	13 500	•	•	•	•	•	•									
	S1	7 640		0.19	–	13 500	•	•	•	•	•	•									
	R1	6 643	★	0.22	–	13 500	•	•	•	•	•	•									
	Q1	6 032		0.24	–	13 500	•	•	•	•	•	•									
	P1	5 507	★	0.26	–	13 500	•	•	•	•	•	•									
	N1	5 053		0.29	–	13 500	•	•	•	•	•	•									
	M1	4 656	★	0.31	–	13 500	•	•	•	•	•	•									
	L1	4 228		0.34	–	13 500	•	•	•	•	•	•									
	K1	3 852	★	0.38	–	13 500	•	•	•	•	•	•									
	J1	3 528		0.41	–	13 500	•	•	•	•	•	•									
	H1	3 148	★	0.46	–	13 500	•	•	•	•	•	•									
	G1	2 810		0.52	–	13 500	•	•	•	•	•	•									
	F1	2 386		0.61	–	13 500	•	•	•	•	•	•									
	E1	1 986	★	0.73	–	13 500	•	•	•	•	•	•									
D1	1 955	★	0.74	–	13 500	•	•	•	•	•	•										
C1	1 745		0.83	–	13 500			•	•	•	•										
B1	1 482		0.98	–	13 500			•	•	•	•										
A1	1 233	★	1.18	–	13 500			•	•	•	•										
K.168-Z68 13 500	H1	1 033		1.40	–	13 500			•	•	•	•									
	G1	881		1.65	–	13 500			•	•	•	•									
	F1	735		1.97	–	13 500				•	•	•									
	E1	609		2.38	–	13 500					•	•	•								
	D1	537		2.70	–	13 500					•	•	•	•							
	C1	458		3.17	–	13 500					•	•	•	•							
	B1	382		3.80	–	13 500						•	•	•							
A1	317		4.57	–	13 500							•	•	•							

★ Preferred transmission ratio

1) Only possible with integrated motor.

2) Twisting angle applies to reduced-backlash gearboxes.

In the case of gearboxes of size 18 or 28, only possible with integrated motor or input unit KQ and KQS.

Calculation of maximum output torque T_{2max} for gearboxes with input units:

$$T_{2max} = T_1 \times i_{tot}, \text{ if } T_{2max} \leq T_{2N}$$

If $T_{2max} \geq T_{2N}$ the max. output torque T_{2N} of the gearbox is the decisive factor.

MOTOX Geared Motors

Bevel helical geared motors

Transmission ratios and maximum torques

Selection and ordering data (continued)

Gearbox size	Ratio code Order No.	Transmission ratio	Output speed	Twisting angle ²⁾	Nominal torque	Permissible input torque T_1 [Nm]															
						2.5x the value is permissible for a brief period (e.g. motor starting torque)															
Max. gearbox torque Nm	15th and 16th position	i_{tot}	n_2 (50 Hz) rpm	φ arcmin	T_{2N} ($f_B=1$) Nm	3	3	5	10	20	26	61	98	198	198	291	356	580	1290		
						Motor size															
						63	71	80	90	100	112	132	160	180	220	225	250	280	315		
K.168 5 870 ... 13 500	H2	287.95 ★	5.0	7	13 500																
	G2	264.18	5.5	7	13 500																
	F2	243.80 ★	5.9	7	13 500																
	E2	226.15	6.4	7	13 500																
	D2	213.33 ★	6.8	7	13 500																
	C2	199.54	7.3	7	13 500																
	B2	177.43 ★	8.2	7	13 500																
	A2	167.50	8.7	7	13 500																
	X1	150.36 ★	9.6	7	13 500																
	W1	138.00	10.5	7	13 500																
	V1	119.09	12.2	7	13 500																
	U1	104.18	13.9	7	13 500																
	T1	90.60	16.0	7	13 500																
	S1	79.49 ★	18.2	7	13 500																
	R1	67.22 ★	22.0	7	13 500																
	Q1	60.99	24.0	7	13 500																
	P1	53.18 ★	27.0	7	13 500																
	N1	45.15	32.0	7	13 500																
	M1	34.55 ★	42.0	7	13 500															• ¹⁾	
	L1	32.53	45.0	8	13 500															• ¹⁾	
	K1	28.54 ★	51.0	8	13 500															• ¹⁾	
	J1	24.14 ★	60.0	8	13 500															• ¹⁾	
	H1	21.90	66.0	8	13 086															• ¹⁾	
	G1	19.09 ★	76.0	8	12 553															• ¹⁾	
	F1	16.21	89.0	8	11 946															• ¹⁾	
	E1	12.41 ★	117.0	8	11 016															• ¹⁾	
	D1	11.67	124.0	12	6 973															• ¹⁾	
	C1	10.17 ★	143.0	12	6 689															• ¹⁾	
B1	8.64	168.0	12	6 366															• ¹⁾		
A1	6.61 ★	219.0	12	5 870															• ¹⁾		

★ Preferred transmission ratio

¹⁾ Only possible with integrated motor.

²⁾ Twisting angle applies to reduced-backlash gearboxes.

In the case of gearboxes of size 18 or 28, only possible with integrated motor or input unit KQ and KQS.

Calculation of maximum output torque T_{2max} for gearboxes with input units:

$$T_{2max} = T_1 \times i_{tot}, \text{ if } T_{2max} \leq T_{2N}$$

If $T_{2max} \geq T_{2N}$ the max. output torque T_{2N} of the gearbox is the decisive factor.

MOTOX Geared Motors

Bevel helical geared motors

Transmission ratios and maximum torques

Selection and ordering data (continued)

Gearbox size	Ratio code Order No.	Transmission ratio	Output speed	Twisting angle ²⁾	Nominal torque	Permissible input torque T_1 [Nm]															
						2.5x the value is permissible for a brief period (e.g. motor starting torque)															
Max. gearbox torque Nm	15th and 16th position	i_{tot}	n_2 (50 Hz) rpm	φ arcmin	T_{2N} ($f_B=1$) Nm	Motor size															
						3	3	5	10	20	26	61	98	198	198	291	356	580	1290		
						63	71	80	90	100	112	132	160	180	220	225	250	280	315		
K.188-D68 20 000	T1	53 767	0.03	–	20 000	•	•	•													
	S1	47 582	★	0.03	–	20 000	•	•	•	•											
	R1	43 256		0.03	–	20 000	•	•	•	•											
	Q1	38 858	★	0.04	–	20 000	•	•	•	•											
	P1	33 307		0.04	–	20 000	•	•	•	•	•										
	N1	30 135	★	0.05	–	20 000	•	•	•	•	•										
	M1	27 817		0.05	–	20 000	•	•	•	•	•										
	L1	24 187	★	0.06	–	20 000	•	•	•	•	•										
	K1	21 961		0.07	–	20 000	•	•	•	•	•										
	J1	20 052	★	0.07	–	20 000	•	•	•	•	•										
	H1	18 398		0.08	–	20 000	•	•	•	•	•										
	G1	16 951	★	0.09	–	20 000	•	•	•	•	•										
	F1	15 394		0.09	–	20 000	•	•	•	•	•										
	E1	14 024	★	0.10	–	20 000	•	•	•	•	•										
	D1	12 847		0.11	–	20 000	•	•	•	•	•										
	C1	11 463	★	0.13	–	20 000	•	•	•	•	•										
B1	10 230		0.14	–	20 000			•	•	•											
A1	8 689		0.17	–	20 000			•	•	•											
K.188-Z68 20 000	X1	9 201	★	0.16	–	20 000	•	•	•	•											
	W1	8 047		0.18	–	20 000	•	•	•	•											
	V1	7 224	★	0.20	–	20 000	•	•	•	•	•										
	U1	6 598		0.22	–	20 000	•	•	•	•	•										
	T1	5 855	★	0.25	–	20 000	•	•	•	•	•	•									
	S1	5 405		0.27	–	20 000	•	•	•	•	•	•									
	R1	4 889	★	0.30	–	20 000	•	•	•	•	•	•									
	Q1	4 502		0.32	–	20 000	•	•	•	•	•	•									
	P1	4 163	★	0.35	–	20 000	•	•	•	•	•	•									
	N1	3 865		0.38	–	20 000	•	•	•	•	•	•									
	M1	3 410	★	0.43	–	20 000	•	•	•	•	•	•									
	L1	3 148		0.46	–	20 000	•	•	•	•	•	•									
	K1	2 821	★	0.51	–	20 000	•	•	•	•	•	•									
	J1	2 601		0.56	–	20 000			•	•	•	•									
	H1	2 182		0.66	–	20 000			•	•	•	•									
	G1	1 862	★	0.78	–	20 000			•	•	•	•									
F1	1 551		0.93	–	20 000				•	•	•										
E1	1 286	★	1.10	–	20 000					•	•										
D1	1 135		1.30	–	20 000					•	•										
C1	968	★	1.50	–	20 000					•	•										
B1	807		1.80	–	20 000						•										
A1	669	★	2.20	–	20 000							•									
K.188-Z88 20 000	H1	669	★	2.2	–	20 000						•									
	G1	548	★	2.6	–	20 000						•									
	F1	503		2.9	–	20 000						•									
	E1	429	★	3.4	–	20 000						•									
	D1	352	★	4.1	–	20 000							•								
	C1	321		4.5	–	20 000							•								
	B1	274	★	5.3	–	20 000								•							
A1	225	★	6.4	–	20 000									•							

★ Preferred transmission ratio

1) Only possible with integrated motor.

2) Twisting angle applies to reduced-backlash gearboxes.

In the case of gearboxes of size 18 or 28, only possible with integrated motor or input unit KQ and KQS.

Calculation of maximum output torque T_{2max} for gearboxes with input units:

$$T_{2max} = T_1 \times i_{tot}; \text{ if } T_{2max} \leq T_{2N}$$

If $T_{2max} \geq T_{2N}$ the max. output torque T_{2N} of the gearbox is the decisive factor.

MOTEX Geared Motors

Bevel helical geared motors

Transmission ratios and maximum torques

Selection and ordering data (continued)

Gearbox size	Ratio code Order No.	Transmission ratio	Output speed	Twisting angle ²⁾	Nominal torque	Permissible input torque T_1 [Nm]															
						2.5x the value is permissible for a brief period (e.g. motor starting torque)															
Max. gearbox torque Nm	15th and 16th position	i_{tot}	n_2 (50 Hz) rpm	ϕ arcmin	T_{2N} ($f_B=1$) Nm	Motor size															
						3	3	5	10	20	26	61	98	198	198	291	356	580	1290		
						63	71	80	90	100	112	132	160	180	220	225	250	280	315		
K.188 17 500 ... 20 000	U1	191.34	7.6	6	20 000								•	•	•	•					
	T1	172.78	8.4	6	20 000										•	•	•				
	S1	161.92	9.0	6	20 000										•	•	•	•			
	R1	139.08 ★	10.4	6	20 000										•	•	•	•			
	Q1	120.16	12.1	6	20 000										•	•	•	•	•		
	P1	106.07	13.7	6	20 000										•	•	•	•	•		
	N1	95.48 ★	15.2	6	20 000										•	•	•	•	•		
	M1	79.23 ★	18.3	6	20 000										•	•	•	•	•		
	L1	72.24	20.0	6	20 000										•	•	•	•	•		
	K1	63.38 ★	23.0	6	20 000										•	•	•	•	•		
	J1	54.47	27.0	7	20 000											•	•	•	•		
	H1	42.43 ★	34.0	7	20 000											•	•	•	•		
	G1	34.28 ★	42.0	7	20 000											•	•	•	•		
	F1	28.45 ★	51.0	7	20 000											•	•	•	•		
	E1	25.94	56.0	7	20 000											•	•	•	•		
	D1	22.76 ★	64.0	7	20 000											•	•	•	•		
	C1	19.56	74.0	7	20 000												•	•	•		
	B1	15.23 ★	95.0	7	19 000												•	•	•		
A1	12.10 ★	120.0	8	17 500													•	•			

★ Preferred transmission ratio

¹⁾ Only possible with integrated motor.

²⁾ Twisting angle applies to reduced-backlash gearboxes.

In the case of gearboxes of size 18 or 28, only possible with integrated motor or input unit KQ and KQS.

Calculation of maximum output torque T_{2max} for gearboxes with input units:

$$T_{2max} = T_1 \times i_{tot}, \text{ if } T_{2max} \leq T_{2N}$$

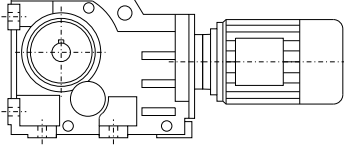
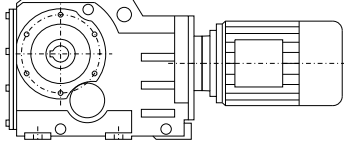
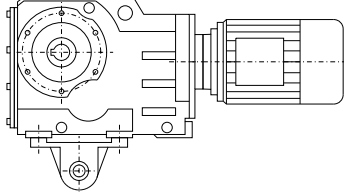
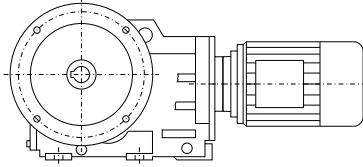
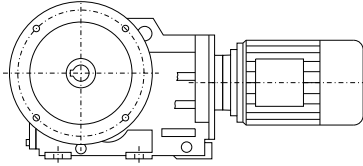
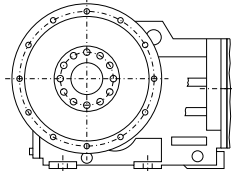
If $T_{2max} \geq T_{2N}$ the max. output torque T_{2N} of the gearbox is the decisive factor.

MOTOX Geared Motors

Bevel helical geared motors

Mounting types

Selection and ordering data

Mounting type	Order No. 14th position	Code in type designation 2nd position for solid shaft, 3rd position for hollow shaft	Representation
Foot-mounted design	A	-	
Housing flange (C-type)	H	Z	
Design with torque arm	D	D	
Flange-mounted design (A-type)	F	F	
Mixer flange	M	M	
Extruder flange	E	E	

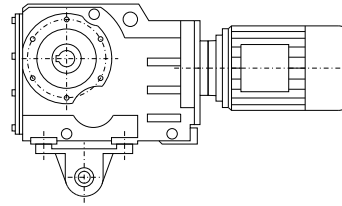
Selection and ordering data (continued)

Bevel helical gearbox K with torque arm

The torque arm of bevel helical gearbox K is mounted on the underside of the housing. The rubber buffers (supplied loose) are used to flexibly support the gearbox on the torque arm. The rubber buffers are suitable for all mounting positions and can withstand temperatures of between -40 °C and $+80\text{ °C}$.

Material: Natural rubber, hardness 70 ± 5 Shore A

Order No.: **D** in **14th position**



Bevel helical gearbox B with torque arm

The torque arm of bevel helical gearbox B consists of an arm with an eye; it can be screwed onto the gearbox housing at an angular pitch of 30° in any one of nine positions around the output.

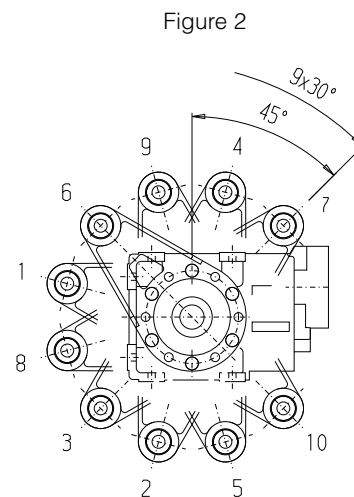
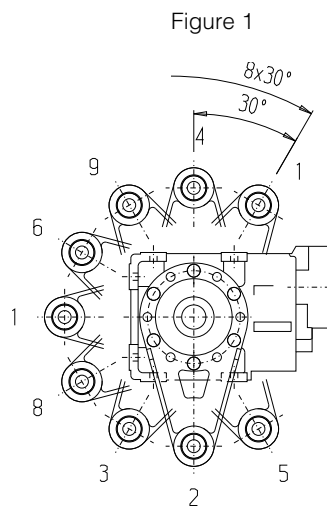
Order No.: **D** in **14th position**

The shafts and mounting positions correspond to the design featuring a housing flange.

Order code:

Figure 1 **G09**

Figure 2 **G10**



Bevel helical gearbox with mixer flange, sizes 88 to 168

The mixer flange is fitted with a heavy-duty output bearing with a sizable bearing span for absorbing large radial and axial forces.

The optimized design ensures that no axial forces are transferred to the gearbox housing.

Bearing life can be calculated on request or using the MOTOX Configurator calculation program.

MOTOX Geared Motors

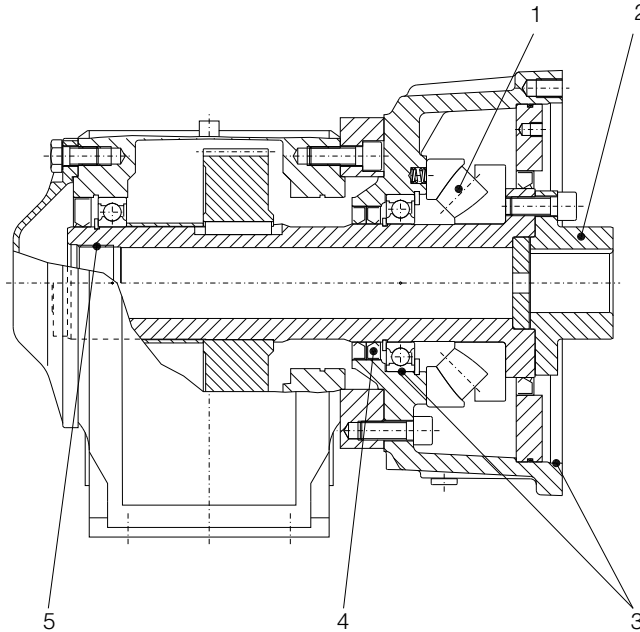
Bevel helical geared motors

Mounting types

Selection and ordering data (continued)

Bevel helical gearbox with extruder flange, sizes 68 to 168

Gearboxes with an extruder flange are ideal for use in the extrusion industry, particularly in the low to medium performance range.



1. Large axial spherical roller bearing

294... series spherical roller bearing for heavy axial loads.

2. Simple, low-cost design

Flange hub supplied by customer, no grinding processes.
Standard shaft-hub connection with feather key in acc. with DIN 6885/1.

3. Good radial eccentricity

Radial bearing hole and center hole created in one clamping operation and direction.

4. Optimum lubrication

Extruder oil chamber separate from gearbox oil chamber.

5. Standard connection

Metric thread for supporting the extruder worm (worm pulled out from rear).

Area of application

Parallel shaft gearbox		KAE 68	KAE 88	KAE 108	KAE 128	KAE 148	KAE 168
Max. power	[kW]	9.2	15	30	45	55	90
Transmission ratio/min./max	[3-stage]	5.36 / 243.72	5.54 / 302.68	7.68 / 307.24	7.1 / 295.38	4.83 / 306.08	6.61 / 287.95
Max. torque	[Nm]	820	1 650	3 000	4 700	8 000	13 500
Max. axial forces	[kN]	65	105	180	260	400	580
Spherical roller bearing	[.]	29414E	29417E	29420E	29424E	29426E	29432E

Selection and ordering data

Shaft design	Order No. 8th position	Order No. suffix	Shaft dimensions					
Bevel helical gearboxes B and K, foot-mounted design								
Size			B.28	B.38	K.38	K.48	K.68	K.88
Solid shaft with feather key	1		V20 x 40 *)	V30 x 60 *)	V25 x 50 *)	V30 x 60 *)	V40 x 80 *)	V50 x 100 *)
	3				V35 x 70		V50 x 100	V70 x 140
	4					V40 x 80	V35 x 70	
Hollow shaft	5		H20 x 120 *)	H30 x 140 *)	H30 x 120 *)	H35 x 150 *)	H40 x 180 *)	H50 x 210 *)
	6		H25 x 120	H35 x 140		H40 x 150	H45 x 180	H60 x 210
	7			H40 x 140				
Hollow shaft with shrink disk	9	H3A	H20 x 142 *)	H30 x 166 *)	H30 x 146 *)	H40 x 177	H50 x 209	H60 x 241
	9	H3B		H35 x 166	H30/31 x 146	H40/41 x 177	H50/51 x 209	H60/61 x 241
	9	H3C				H35 x 177 *)	H40 x 209 *)	H50 x 241 *)
	9	H3D					H40/42 x 209	H50/52 x 241
Hollow shaft with splined shaft	9	H4A		N30x1.25x30x22 x 140	N35x1.25x30x26 x 9H x 120	N40x2x30x18x9H x 150	N50x2x30x24x9H x 180	N60x2x30x28 x 9H x 210
Size			K.108	K.128	K.148	K.168	K.188	
Solid shaft with feather key	1		V60 x 120 *)	V70 x 140 *)	V90 x 170 *)	V110 x 210 *)	V120 x 210 *)	
	3		V80 x 170	V90 x 170	V100 x 210	V120 x 210	V140 x 250	
Hollow shaft	5		H60 x 240 *)	H70 x 300 *)	H80 x 350	H100 x 410	H120 x 500 *)	
	6		H70 x 240	H80 x 300	H90 x 350 *)	H110 x 410 *)		
Hollow shaft with shrink disk	9	H3A	H70 x 280	H80 x 345	H95 x 404 *)	H105 x 483 *)	H125 x 580 *)	
	9	H3B	H70/71 x 280	H80/81 x 345	H95/96 x 404	H105/106 x 483	H125/126 x 580	
	9	H3C	H65 x 280	H75 x 345				
	9	H3D	H65/66 x 280	H75/76 x 345				
Hollow shaft with splined shaft	9	H4A	N70x2x30x34 x 9H x 240	N80x3x30x25 x 9H x 300	N90x3x30x28 x 9H x 350	N110x3x30x35 x 9H x 410	N130x5x30x24x9H x 500	
Bevel helical gearboxes B and K with housing flange								
Size			B.Z28	B.Z38	K.Z38	K.Z48	K.Z68	K.Z88
Solid shaft with feather key	1		V20 x 40 *)	V30 x 60 *)	V25 x 50 *)	V30 x 60 *)	V40 x 80 *)	V50 x 100 *)
	3				V35 x 70		V50 x 100	V70 x 140
	4					V40 x 80	V35 x 70	
Hollow shaft	5		H20 x 120 *)	H30 x 140 *)	H30 x 120 *)	H35 x 150 *)	H40 x 180 *)	H50 x 210 *)
	6		H25 x 120	H35 x 140		H40 x 150	H45 x 180	H60 x 210
	7			H40 x 140				
Hollow shaft with shrink disk	9	H3A	H20 x 142 *)	H30 x 166 *)	H30 x 146 *)	H40 x 177	H50 x 209	H60 x 241
	9	H3B		H35 x 166	H30/31 x 146	H40/41 x 177	H50/51 x 209	H60/61 x 241
	9	H3C				H35 x 177 *)	H40 x 209 *)	H50 x 241 *)
	9	H3D					H40/42 x 209	H50/52 x 241
Hollow shaft with splined shaft	9	H4A		N30x1.25x30x22 x 140	N35x1.25x30x26 x 9H x 120	N40x2x30x18x9H x 150	N50x2x30x24x9H x 180	N60x2x30x28 x 9H x 210
Size			K.Z108	K.Z128	K.Z148	K.Z168	K.Z188	
Solid shaft with feather key	1		V60 x 120 *)	V70 x 140 *)	V90 x 170 *)	V110 x 210 *)	V120 x 210 *)	
	3		V80 x 170	V90 x 170	V100 x 210	V120 x 210	V140 x 250	
Hollow shaft	5		H60 x 240 *)	H70 x 300 *)	H80 x 350	H100 x 410	H120 x 500 *)	
	6		H70 x 240	H80 x 300	H90 x 350 *)	H110 x 410 *)		
Hollow shaft with shrink disk	9	H3A	H70 x 280	H80 x 345	H95 x 404 *)	H105 x 483 *)	H125 x 580 *)	
	9	H3B	H70/71 x 280	H80/81 x 345	H95/96 x 404	H105/106 x 483	H125/126 x 580	
	9	H3C	H65 x 280	H75 x 345				
	9	H3D	H65/66 x 280	H75/76 x 345				
Hollow shaft with splined shaft	9	H4A	N70x2x30x34 x 9H x 240	N80x3x30x25 x 9H x 300	N90x3x30x28 x 9H x 350	N110x3x30x35 x 9H x 410	N130x5x30x24x9H x 500	

*) Preferred series

MOTOX Geared Motors

Bevel helical geared motors

Shaft designs

Selection and ordering data (continued)

Shaft design	Order No. 8th position	Order No. suffix	Shaft dimensions					
Bevel helical gearboxes B and K with torque arm								
Shaft design			B.D28	B.D38	K.D38	K.D48	K.D68	K.D88
Hollow shaft	5		H20 x 120 *)	H30 x 140 *)	H30 x 120 *)	H35 x 150 *)	H40 x 180 *)	H50 x 210 *)
	6		H25 x 120	H35 x 140		H40 x 150	H45 x 180	H60 x 210
	7			H40 x 140				
Hollow shaft with shrink disk	9	H3A	H20 x 142 *)	H30 x 166 *)	H30 x 146 *)	H40 x 177	H50 x 209	H60 x 241
	9	H3B		H35 x 166	H30/31 x 146	H40/41 x 177	H50/51 x 209	H60/61 x 241
	9	H3C				H35 x 177 *)	H40 x 209 *)	H50 x 241 *)
	9	H3D					H40/42 x 209	H50/52 x 241
Hollow shaft with splined shaft	9	H4A		N30x1.25x30x22 x 140	N35x1.25x30x26 x 9H x 120	N40x2x30x18x9H x 150	N50x2x30x24x9H x 180	N60x2x30x28 x 9H x 210
Size			K.D108	K.D128	K.D148	K.D168	K.D188	
Hollow shaft	5		H60 x 240 *)	H70 x 300 *)	H80 x 350	H100 x 410	H120 x 500 *)	
	6		H70 x 240	H80 x 300	H90 x 350 *)	H110 x 410 *)		
Hollow shaft with shrink disk	9	H3A	H70 x 280	H80 x 345	H95 x 404 *)	H105 x 483 *)	H125 x 580 *)	
	9	H3B	H70/71 x 280	H80/81 x 345	H95/96 x 404	H105/106 x 483	H125/126 x 580	
	9	H3C	H65 x 280	H75 x 345				
	9	H3D	H65/66 x 280	H75/76 x 345				
Hollow shaft with splined shaft	9	H4A	N70x2x30x34x9H x 240	N80x3x30x25 x 9H x 300	N90x3x30x28 x 9H x 350	N110x3x30x35 x 9H x 410	N130x5x30x24 x 9H x 500	
Bevel helical gearboxes B and K, flange-mounted design (A-type)								
Size			B.F28	B.F38	K.F38	K.F48	K.F68	K.F88
Solid shaft with feather key	2		V20 x 40 (i2=l) *)	V30 x 60 (i2=l) *)	V25 x 50 (i2=l) *)	V30 x 60 (i2=l) *)	V40 x 80 (i2=l) *)	V50 x 100 (i2=l) *)
Hollow shaft	5		H20 x 120 *)	H30 x 140 *)	H30 x 120 *)	H35 x 150 *)	H40 x 180 *)	H50 x 210 *)
	6		H25 x 120	H35 x 140		H40 x 150	H45 x 180	H60 x 210
	7			H40 x 140				
Hollow shaft with shrink disk	9	H3A	H20 x 142 *)	H30 x 166 *)	H30 x 146 *)	H40 x 177	H50 x 209	H60 x 241
	9	H3B		H35 x 166	H30/31 x 146	H40/41 x 177	H50/51 x 209	H60/61 x 241
	9	H3C				H35 x 177 *)	H40 x 209 *)	H50 x 241 *)
	9	H3D					H40/42 x 209	H50/52 x 241
Hollow shaft with splined shaft	9	H4A		N30x1.25x30x22 x 140	N35x1.25x30x26 x 9H x 120	N40x2x30x18x9H x 150	N50x2x30x24x9H x 180	N60x2x30x28 x 9H x 210
Size			K.F108	K.F128	K.F148	K.F168	K.F188	
Solid shaft with feather key	2		V60 x 120 (i2=l) *)	V70 x 140 (i2=l) *)	V90 x 170 (i2=l) *)	V110 x 210 (i2=l) *)	V120 x 210 (i2=l) *)	
Hollow shaft	5		H60 x 240 *)	H70 x 300 *)	H80 x 350	H100 x 410	H120 x 500 *)	
	6		H70 x 240	H80 x 300	H90 x 350 *)	H110 x 410 *)		
Hollow shaft with shrink disk	9	H3A	H70 x 280	H80 x 345	H95 x 404 *)	H105 x 483 *)	H125 x 580 *)	
	9	H3B	H70/71 x 280	H80/81 x 345	H95/96 x 404	H105/106 x 483	H125/126 x 580	
	9	H3C	H65 x 280	H75 x 345				
	9	H3D	H65/66 x 280	H75/76 x 345				
Hollow shaft with splined shaft	9	H4A	N70x2x30x34x9H x 240	N80x3x30x25 x 9H x 300	N90x3x30x28 x 9H x 350	N110x3x30x35 x 9H x 410	N130x5x30x24 x 9H x 500	

*) Preferred series

Selection and ordering data (continued)

Shaft designs for bevel helical gearbox with mixer flange

Shaft design	Order No. 8th position	Order No. suffix.	Shaft dimensions				
Bevel helical gearbox K.M							
Size			K.M88	K.M108	K.M128	K.M148	K.M168
Solid shaft with feather key	3		V70 x 140	V80 x 170	V90 x 170	V100 x 210	V120 x 210
Hollow shaft	9	H2F	H60 x 321	H70 x 366	H80 x 456	H90 x 524	H110 x 609

Shaft designs for bevel helical gearbox with extruder flange

Shaft design	Order No. 8th position	Order No. suffix.	Shaft dimensions					
Bevel helical gearbox KAE								
Size			KAE68	KAE88	KAE108	KAE128	KAE148	KAE168
Hollow shaft	9	H2A	H20 x 48	H30 x 58	H40 x 71	H45 x 87	H60 x 95	H70 x 105
	9	H2B	H25 x 48	H35 x 58	H45 x 71	H50 x 87	H70 x 95	H80 x 105
	9	H2C	H30 x 48 ^{*)}	H40 x 58 ^{*)}	H50 x 71 ^{*)}	H60 x 87 ^{*)}	H75 x 95 ^{*)}	H90 x 105 ^{*)}

^{*)} Preferred series

MOTOX Geared Motors

Bevel helical geared motors

Flange-mounted designs (A-type)

Selection and ordering data

Order code	Flange diameter										
Bevel helical gearboxes B and K											
Size	B.F28	B.F38	K.F38	K.F48	K.F68	K.F88	K.F108	K.F128	K.F148	K.F168	K.F188
H02	120		160			300	350		450		660
H03	160			200	250			450		550	
H04		160									
H05		200									

MOTOX Geared Motors

Bevel helical geared motors

Mounting types and mounting positions

Selection and ordering data

The mounting type / mounting position must be specified when you place your order to ensure that the gearbox is supplied with the correct quantity of oil.



Please contact customer service to discuss the oil quantity if you wish to use a mounting position which is not shown here.

Position of the terminal box

The terminal box of the motor can be mounted in four different positions. See Chapter 8 for an accurate representation of the terminal box position and the corresponding order codes

Bevel helical gearbox B, foot-mounted design, flange-mounted design, and with housing flange

Oil control valves:

- Size 28: These types are lubricated for life. No ventilation, oil level, or drain plugs are present.
- Size 38:  Oil inlet  Oil drain A, B position of the customer's solid/plug-in shaft

1 ... **4** Position of the terminal box, see Chapter 8.

B: B3-00 (IM B3-00) ¹⁾

Order code: Output side A **D06**, output side B **D08**

BF, BZ: B5-01 (IM B5-01) ¹⁾

Order code: Output side A **D22**, output side B **D24**

BA, BAF, BAZ: H-01 ¹⁾

Order code: Output side A **D76**, output side B **D77**

1) Standard mounting type

B: B8-00 (IM B8-00)

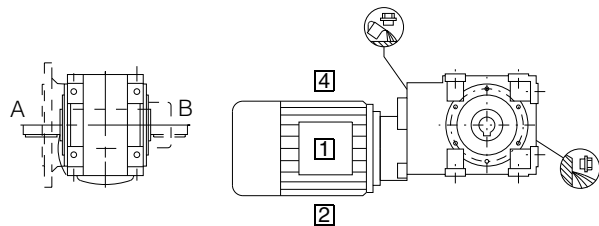
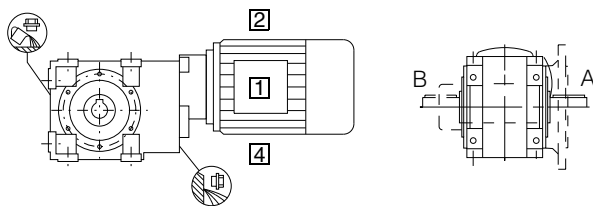
Order code: Output side A **D68**, output side B **D70**

BF, BZ: B5-03 (IM B5-03)

Order code: Output side A **D32**, output side B **D34**

BA, BAF, BAZ: H-02

Order code: Output side A **D78**, output side B **D79**



B: B6-00 (IM B6-00)

Order code: Output side A **D38**, output side B **D40**

BF, BZ: B5-00 (IM B5-00)

Order code: Output side A **D18**, output side B **D20**

BA, BAF, BAZ: H-04

Order code: Output side A **D82**, output side B **D83**

B: B7-00 (IM B7-00)

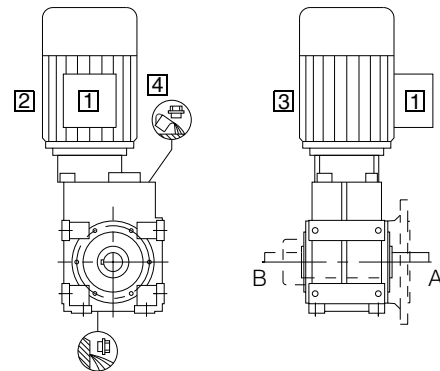
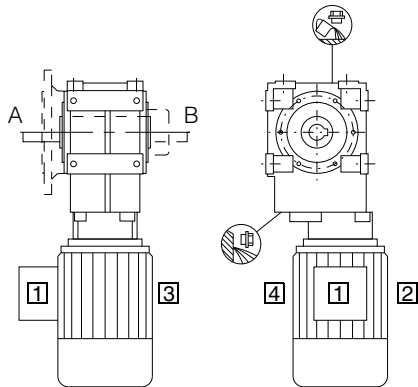
Order code: Output side A **D59**, output side B **D61**

BF, BZ: B5-02 (IM B5-02)

Order code: Output side A **D27**, output side B **D29**

BA, BAF, BAZ: H-03

Order code: Output side A **D80**, output side B **D81**



B: V5-00 (IM V5-00)

Order code: Output side A **E03**, output side B **E05**

BF, BZ: V1-00 (IM V1-00)

Order code: Output side A **D90**, output side B **D92**

BA, BAF, BAZ: H-05

Order code: Output side A **D84**, output side B **D85**

B: V6-00 (IM V6-00)

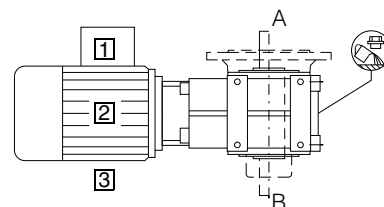
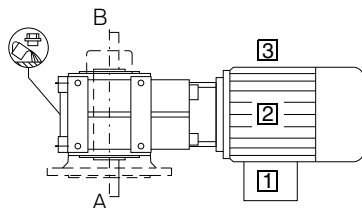
Order code: Output side A **E15**, output side B **E17**

BF, BZ: V3-00 (IM V3-00)

Order code: Output side A **D98**, output side B **E00**

BA, BAF, BAZ: H-06

Order code: Output side A **D86**, output side B **D87**



MOTOX Geared Motors

Bevel helical geared motors

Mounting types and mounting positions

Selection and ordering data (continued)

Bevel helical gearbox K, foot-mounted design

Oil control valves:

- Size 38: V Oil inlet/oil drain
- From size 48 up:  Oil level  Ventilation  Oil drain * On opposite side

A,B position of the customer's solid/plug-in shaft

1 ... **4** Position of the terminal box, see Chapter 8.

K: B3-00 (IM B3-00) ¹⁾

Order code: Output side A **D06**, output side B **D08**

KA: H-01 ¹⁾

Order code: Output side A **D76**, output side B **D77**

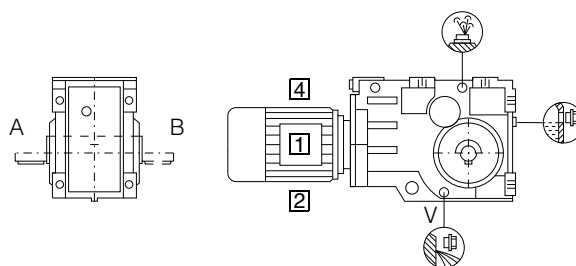
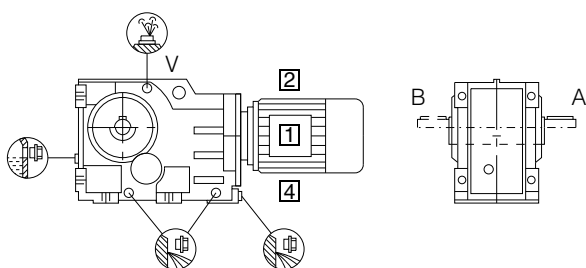
1) Standard mounting type

K: B8-00 (IM B8-00)

Order code: Output side A **D68**, output side B **D70**

KA: H-02

Order code: Output side A **D78**, output side B **D79**



K: B6-00 (IM B6-00)

Order code: Output side A **D38**, output side B **D40**

KA: H-04

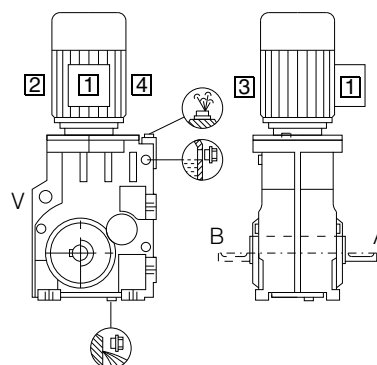
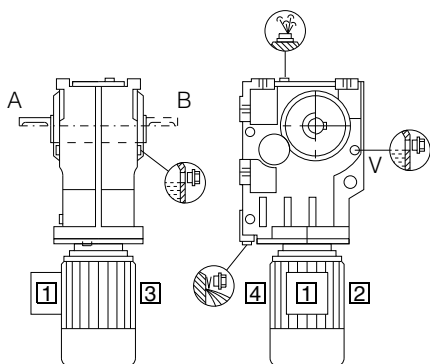
Order code: Output side A **D82**, output side B **D83**

K: B7-00 (IM B7-00)

Order code: Output side A **D59**, output side B **D61**

KA: H-03

Order code: Output side A **D80**, output side B **D81**



K: V5-00 (IM V5-00)

Order code: Output side A **E03**, output side B **E05**

KA: H-05

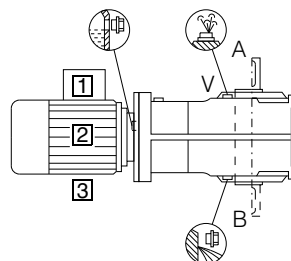
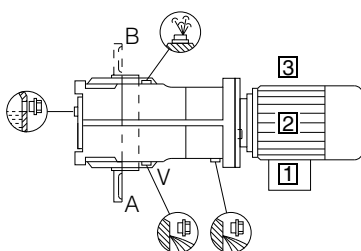
Order code: Output side A **D84**, output side B **D85**

K: V6-00 (IM V6-00)

Order code: Output side A **E15**, output side B **E17**

KA: H-06

Order code: Output side A **D86**, output side B **D87**



MOTOX Geared Motors

Bevel helical geared motors

Mounting types and mounting positions

Selection and ordering data (continued)

Bevel helical gearbox K, flange-mounted design (K.F), with housing flange (K.Z) or torque arm (K.D)

Oil control valves:

- Size 38: V Oil inlet/oil drain
- From size 48 up:  Oil level  Ventilation  Oil drain * On opposite side

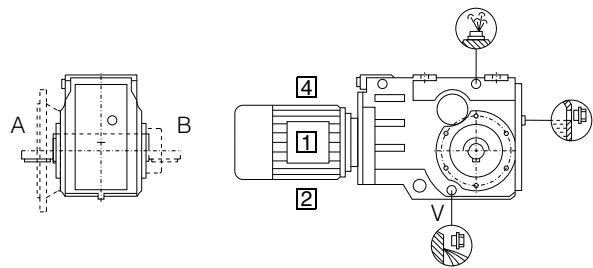
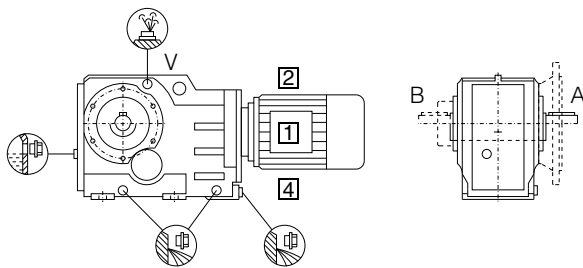
A,B position of the customer's solid/plug-in shaft

1 ... **4** Position of the terminal box, see Chapter 8.

KF: B5-01 (IM B5-01) ¹⁾
 Order code: Output side A **D22**, output side B **D24**
 KAD, KAF, KAZ: H-01 ¹⁾
 Order code: Output side A **D76**, output side B **D77**

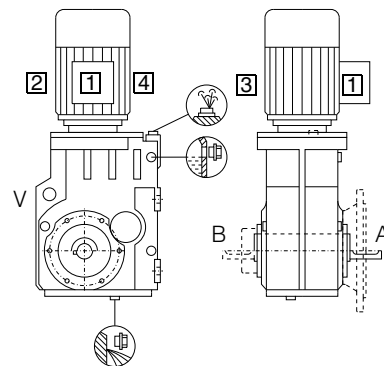
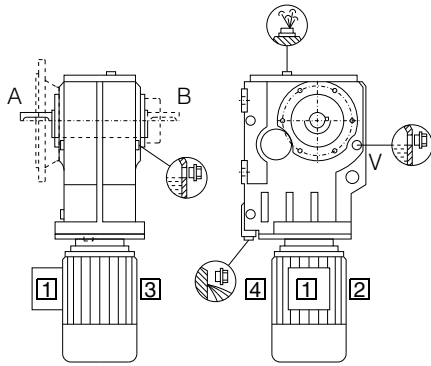
1) Standard mounting type

KF: B5-03 (IM B5-03)
 Order code: Output side A **D32**, output side B **D34**
 KAD, KAF, KAZ: H-02
 Order code: Output side A **D78**, output side B **D79**



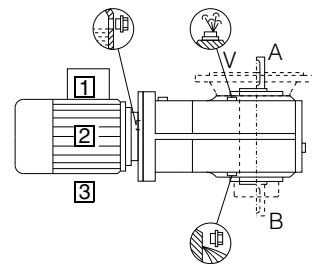
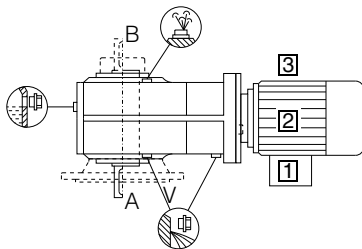
KF: B5-00 (IM B5-00)
 Order code: Output side A **D18**, output side B **D20**
 KAD, KAF, KAZ: H-04
 Order code: Output side A **D82**, output side B **D83**

KF: B5-02 (IM B5-02)
 Order code: Output side A **D68**, output side B **D29**
 KAD, KAF, KAZ: H-03
 Order code: Output side A **D80**, output side B **D81**



KF: V1-00 (IM V1-00)
 Order code: Output side A **D90**, output side B **D92**
 KAD, KAF, KAZ: H-05
 Order code: Output side A **D84**, output side B **D85**

KF: V3-00 (IM V3-00)
 Order code: Output side A **D98**, output side B **E00**
 KAD, KAF, KAZ: H-06
 Order code: Output side A **D86**, output side B **D87**



Bevel helical gearbox with extruder flange (KAE)

Mounting positions correspond to those of standard gearboxes with hollow shaft.

MOTOX Geared Motors

Bevel helical geared motors

Mounting types and mounting positions

Selection and ordering data (continued)

Bevel helical gearbox K with mixer flange (K.M)

Oil control valves:



Oil level



Ventilation



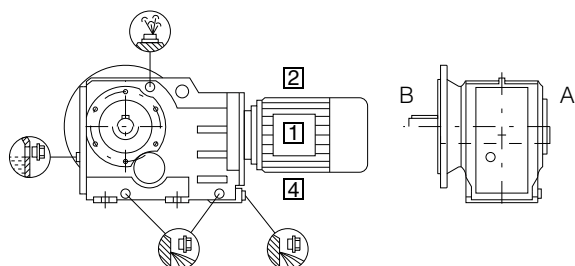
Oil drain

* On opposite side

A,B position of the customer's solid/plug-in shaft

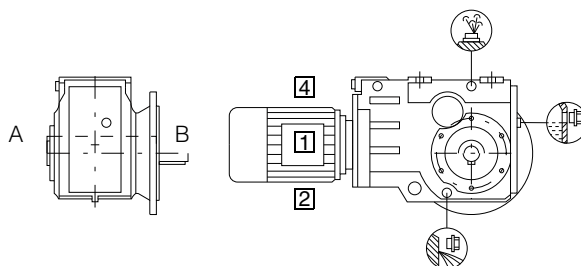
1 ... 4 Position of the terminal box, see Chapter 8.

KM: B5-01 (IM B5-01) ¹⁾
 Order code: Output side B **D24**
 KAM: H-01 ¹⁾
 Order code: Output side B **D77**

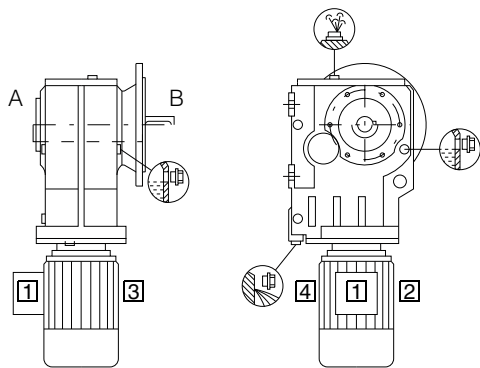


1) Standard mounting type

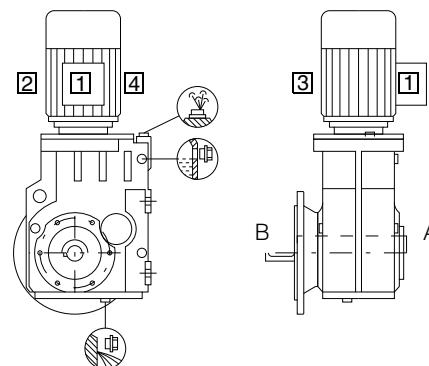
KM: B5-03 (IM B5-03)
 Order code: Output side B **D34**
 KAM: H-02
 Order code: Output side B **D79**



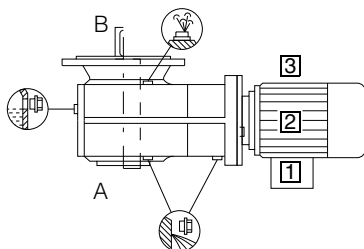
KM: B5-00 (IM B5-00)
 Order code: Output side B **D20**
 KAM: H-04
 Order code: Output side B **D83**



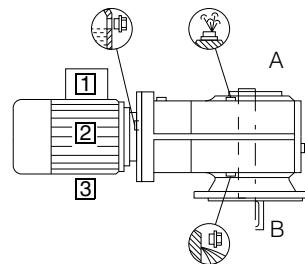
KM: B5-02 (IM B5-02)
 Order code: Output side B **D29**
 KAM: H-03
 Order code: Output side B **D81**



KM: V1-00 (IM V1-00)
 Order code: Output side B **D92**
 KAM: H-05
 Order code: Output side B **D85**



KM: V3-00 (IM V3-00)
 Order code: Output side B **E00**
 KAM: H-06
 Order code: Output side B **D87**



Selection and ordering data (continued)

Bevel helical tandem gearbox

The mounting type / mounting position of the tandem gearbox corresponds to that of the main gearbox. The figures below are only designed to show the position of the oil control valves of the 2nd gearbox.

Note:

In a horizontal operating position the bulging part of the housing of the 2nd gearbox generally faces vertically downwards.

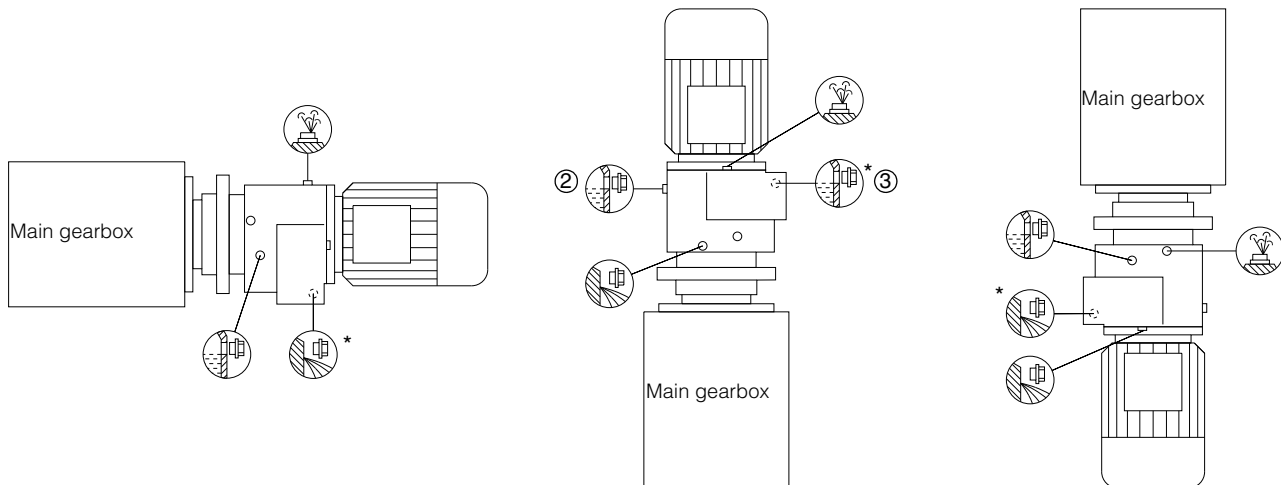
Oil control valves:

- Size 28/38 (2nd gearbox): These types are lubricated for life. No ventilation, oil level, or drain plugs are present.

- From size 48 up:  Oil level  Ventilation  Oil drain * On opposite side

② 2-stage gearbox

③ 3-stage gearbox



MOTOX Geared Motors

Bevel helical geared motors

Special versions

Lubricants

2-stage bevel helical gearbox B

Bevel helical gearboxes B.28 and B.38 are always filled with synthetic lubricant prior to dispatch. The rating plate contains information about the appropriate type of oil (PGLP) and ISO viscosity class.

If the gearbox is to be used in an application with special requirements, the lubricants listed in the table below can be used.

Area of application	Ambient temperature ¹⁾	DIN ISO designation	Order code
Standard oils			
Standard temperature	0 ... +60 °C	CLP ISO PG VG460	K08
Low temperature usage	-20 ... +50 °C	CLP ISO PG VG220	K07
Lowest temperature usage	-40 ... +40 °C	CLP ISO PAO VG220	²⁾
Physiologically safe oils (for use in the food industry) in acc. with NSF(USDA)-H1			
Standard temperature	-30 ... +40 °C	CLP ISO H1 VG460	K11
Biologically degradable oils			
Standard temperature	-20 ... +40 °C	CLP ISO E VG220	K10

1) Recommendation

2) On request

3-stage bevel helical gearbox K

Bevel helical gearboxes K are filled with mineral oil as standard.

If the gearbox is to be used in an application with special requirements, the lubricants listed in the table below can be used.

Area of application	Ambient temperature ¹⁾	DIN ISO designation	Order code
Standard oils			
Standard temperature	-10 ... +40 °C	CLP ISO VG220	K06
Improved oil service life	-20 ... +50 °C	CLP ISO PG VG220	K07
High temperature usage	0 ... +60 °C	CLP ISO PG VG460	K08
Low temperature usage	-40 ... +40 °C	CLP ISO PAO VG220	²⁾
Lowest temperature usage	-40 ... +10 °C	CLP ISO PAO VG68	²⁾
Physiologically safe oils (for use in the food industry) in acc. with NSF(USDA)-H1			
Standard temperature	-30 ... +40 °C	CLP ISO H1 VG460	K11
Biologically degradable oils			
Standard temperature	-20 ... +40 °C	CLP ISO E VG220	K10

1) Recommendation

2) On request

Size 28 does not feature any ventilation, oil level, or drain plugs. The lubricant does not need to be changed, due to the low thermal load the gearbox is subjected to. Bevel helical gearboxes of size 38 have an oil screw; these gearboxes do not require ventilation or ventilation elements.

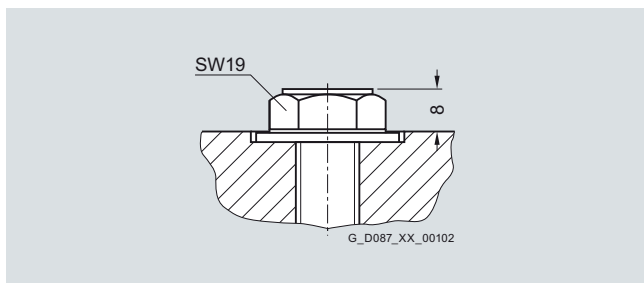
Gearboxes of sizes 48 to 188 are fitted with filler, oil level, and drain plugs as standard. The ventilation and vent filter, which is delivered loose, must be attached in place of the filler plug prior to startup.

Oil level control

Oil sight glass

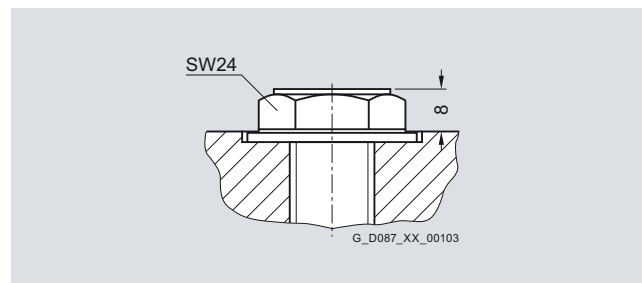
For size 48 and above, bevel helical gearbox K can be equipped with a visual oil level indicator (oil sight glass) for most mounting types and mounting positions.

Order code:
Oil sight glass **G34**



SW = Wrench width

Gearbox	Size
Bevel helical gearbox	K.48 ... K.128



SW = Wrench width

Gearbox	Size
Bevel helical gearbox	K.148 ... K.188

Electrical oil level monitoring system

If required, the gearbox can be supplied with an electrical oil level monitoring system, which enables the oil level of the gearbox to be monitored remotely. The oil level is monitored by a capacitive sensor only when the gearbox starts up; it is not measured continuously.

Gearbox ventilation

The positions of the ventilation and ventilation elements can be seen on the mounting position diagrams.

If required, a pressure ventilation valve can be used for bevel helical gearbox K, size 48 and above.

	K.48 ... K.128	K.148 ... K.188
Order code Vent filter Order code: G44		
Order code: G45		

SW = Wrench width

MOTOX Geared Motors

Bevel helical geared motors

Special versions

Oil drain

Magnetic oil drain plug

A magnetic oil drain plug for inserting in the oil drainage hole is available on request for bevel helical gearboxes of size 48 and above. This serves to collect any grit contained in the gear lubricant.

Order code:

Magnetic oil drain plug **G53**

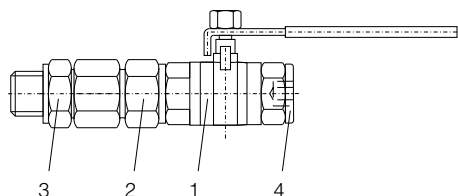
Oil drain valve

An oil drain valve is available on request for bevel helical gearboxes of size 48 and above.

The plug valve may be designed as a complete unit featuring a screw plug, depending on the corresponding mounting position.

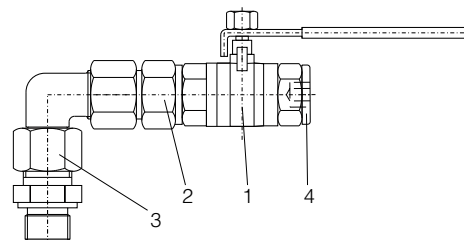
Order code:

Oil drain valve, straight **G54**



Pos.1 Oil drain valve Pos.2 Screwed connection EGE
Pos.3 Screwed connection GE Pos.4 Screw plug

An angled oil drain valve is also available on request.

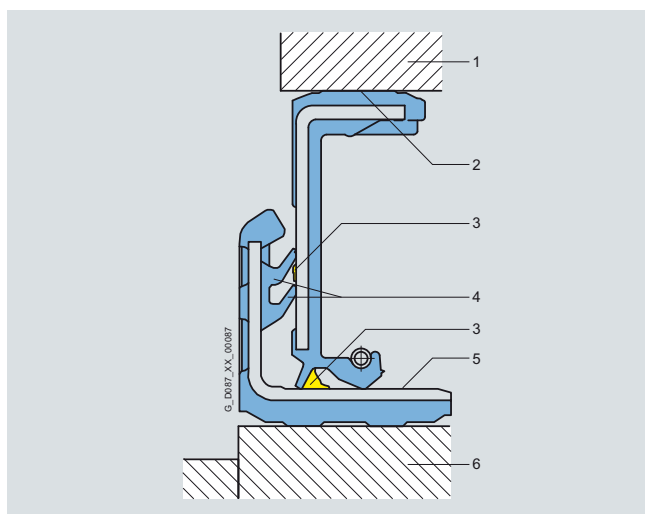


Pos.1 Oil drain valve Pos.2 Screwed connection EGE
Pos.3 Screwed connection GE Pos.4 Screw plug

Sealing

Combination shaft sealing

A combination shaft sealing, which helps to prevent oil from leaking, is available for bevel helical gearbox K of sizes 38 to 168.



A combination shaft sealing is particularly well suited to external use.

Order code:

Combination shaft sealing **G24**

- 1 • Housing
- 2 • Rubberized inner and outer diameter
- 3 • Grease filling prevents dry running of the sealing lips
- 4 • Additional sealing lips to protect against dirt
 - Decoupled sealing system prevents scoring of the shaft as a result of corrosion or dirt
- 5 • Protected running surface for radial shaft sealing ring
 - No damage when mounting
- 6 • Shaft

Double sealing

Double sealing is possible for bevel helical gearboxes of sizes 28 and 188. Double sealing is particularly well suited to external use.

Order code:

Double sealing MSS1 (Sizes 18)
Double radial shaft seal (Sizes 188)

G23
G22+G31

High temperature resistant sealing

High temperature resistant sealing (Viton/fluorinated rubber) for high operating and ambient temperatures of +60 °C and above are available for bevel helical gearboxes.

Order code:

High temperature resistant sealing **G25**

Hollow shaft cover (protection cover)

Gearboxes with hollow shaft are delivered with a plastic sealing cap as standard.

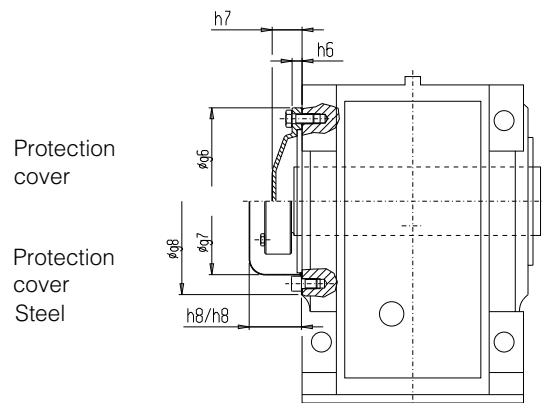
They can be fitted with a fixed protection cover on request. Gearboxes of size 28 are fitted as standard with a steel protection cover.

The steel protection cover is the only type of cover which can be used on gearboxes with hollow shaft and shrink disk.

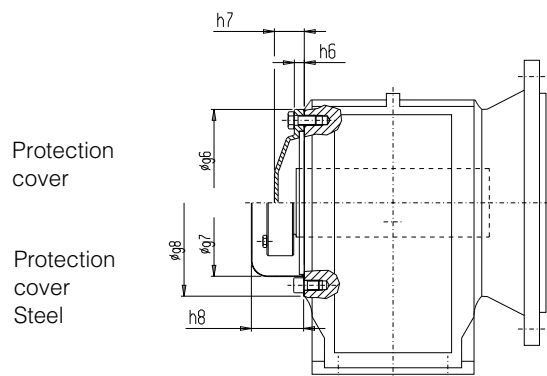
For outdoor use we recommend the ATEX versions.

Order codes:

Protection cover	G62
Protection cover (ATEX)	G63
Steel protection cover	G60
Steel protection cover (ATEX)	G61



KA, KAS¹⁾, KAT



BAF, BAZ, BAFS, BAZS, BAFT, BAZT
KAF, KAZ, KAFS¹⁾, KAZS¹⁾, KAFT, KAZT

¹⁾ Only a steel protection cover is available for KAS, KADS, KAFS, and KAZS; standard protection cover for size 28

h7* / h8* = Touch protection
h7 / h8 = Touch protection and dust proof

Gearbox type	Steel protection cover					Protection cover	
	g7	g8	h8*	h8	g6	h6	h7*
K.38	-	-	-	-	-	-	-
K.48	99.0	130	44.0	44.0	132	10	33
K.68	115.0	150	62.5	69.0	150	10	37
K.88	137.0	190	70.0	70.0	190	13	50
K.108	187.0	240	80.0	92.0	245	13	55
K.128	233.0	292	85.0	97.0	295	16	48
K.148	257.5	334	100.0	113.0	335	13	50
K.168	309.5	390	129.5	154.5	400	13	50
K.188	309.5	390	129.5	129.5	400	13	50

Gearbox type	Steel protection cover				Protection cover	
	g7	g8	h8	g6	h6	h7
B.28	58.0	102	33.5	-	-	-
B.38	99.0	130	44.0	132	10	33
K.38	82.2	115	40.0	120	10	33
K.48	99.0	130	44.0	132	10	33
K.68	115.0	150	62.5	150	10	37
K.88	137.0	190	70.0	190	13	50
K.108	187.0	240	80.0	245	13	55
K.128	233.0	292	85.0	295	16	48
K.148	257.5	334	100.0	335	13	50
K.168	309.5	390	129.5	400	13	50
K.188	309.5	390	129.5	400	13	50

Order code:
Radially reinforced output shaft bearing **G20**

Radially reinforced output shaft bearings

The bearings of the MOTOX gearboxes are dimensioned such that they are strong enough to withstand most application cases.

However, the gearboxes can be fitted with a reinforced output shaft bearing arrangement for applications with particularly high radial forces.

MOTOX Geared Motors

Bevel helical geared motors

Special versions

2nd output shaft extension

If required, bevel helical gearboxes in a foot-mounted design with solid shaft are available with a 2nd shaft extension. See the dimension drawings for the corresponding design for the relevant dimensions.

Order code:

2nd output shaft extension **G73**

Bevel helical gearbox with backstop in the intermediate stage (K.X)

Bevel helical gearboxes of types KF, KAD, KAF, KAZ, KADS, KAFS, and KAZS can be supplied with a backstop in the intermediate stage.

The backstop can only be attached opposite the output side A or B.

Non-drive-end cover (protection cover) can not be attached on bevel helical gearboxes with backstop.

Order code:

Backstop **G72**

Note:

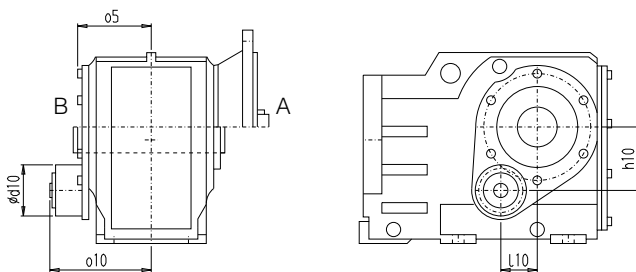
The direction of rotation of the output shaft must be specified for geared motors with a backstop. See also "Direction of rotation of geared motors", page 1/43.

Order codes:

Output shaft direction of rotation

Clockwise **K18**

Counterclockwise **K19**



Gearbox	d10	o10	l10	h10	o5
K.X88	79	166.0	56.3	98	112
K.X108	110	192.5	70.8	112	131
K.X128	132	238.5	80.8	141	163
K.X148	145	276.5	71.0	173	191
K.X168	190	320.5	89.9	203	221

Configuring guide

Gearbox	Main gearbox transmission ratio	Max. permissible output torque of backstop at $f_B=1$ Nm	Oil quantity of backstop
			l
K.X88	5.54 ... 11.21	2 036	0.04
	11.64 ... 302.68	4 275 *)	
K.X108	7.68 ... 12.90	3 828	0.06
	13.74 ... 307.24	6 852 *)	
K.X128	7.10 ... 12.56	7 595	0.09
	13.00 ... 295.38	13 907 *)	
K.X148	4.83 ... 8.79	10 450	0.11
	9.77 ... 306.08	21 139 *)	
K.X168	6.61 ... 11.67	16 386	0.44
	12.41 ... 287.95	30 750 *)	

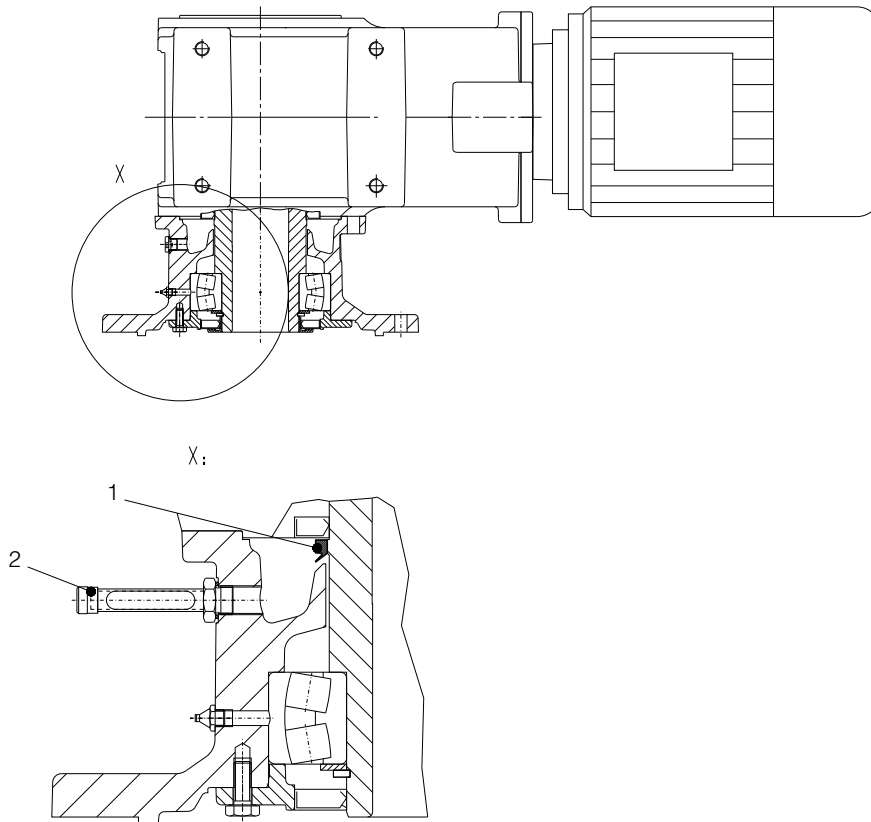
*) Data for tandem gearbox

Mixer flange in dry-well design

The agitator flange can be fitted with an additional "V" ring (1) in mounting position V3-00 in order to drain off any leak oil to a safety chamber and protect the equipment against the effects of leakages.

The oil can either be viewed through a sight glass, or its presence indicated by an electrical sensor (2).

Order codes:
 Dry-well design with sight glass **G89**
 Dry-well design with sensor **G90**



Regreasing device for the mixer flange

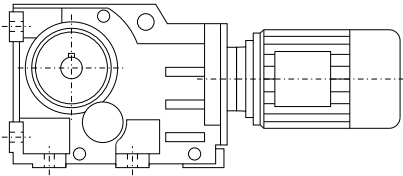
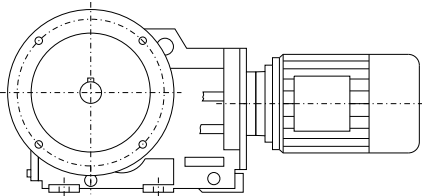
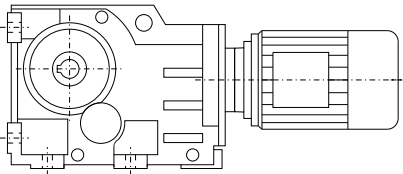
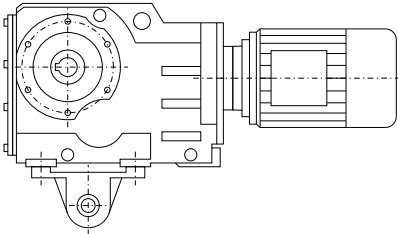
The agitator flange gearbox can be fitted with a regreasing device on request.

MOTOX Geared Motors

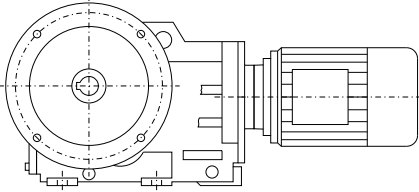
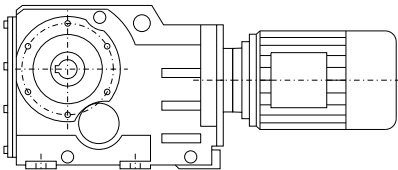
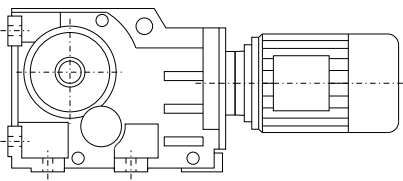
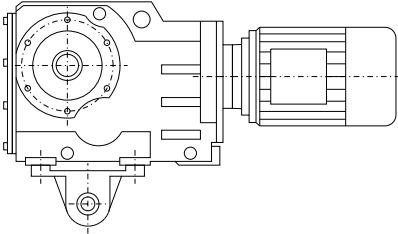
Bevel helical geared motors

Dimensions

Dimension drawing overview

Representation	Gearbox type	Dimension drawing on page
	B28 / BZ28	4/102
	B38 / BZ38	4/110
	K38	4/118
	K48	4/128
	K68	4/138
	K88	4/148
	K108	4/158
	K128	4/168
	K148	4/178
	K168	4/188
	K188	4/198
		BF28
BF38		4/111
KF38		4/119
KF48		4/129
KF68		4/139
KF88		4/149
KF108		4/159
KF128		4/169
KF148		4/179
KF168		4/189
KF188		4/199
		BA28 / BAZ28
	BA38 / BAZ38	4/112
	KA38	4/120
	KA48	4/130
	KA68	4/140
	KA88	4/150
	KA108	4/160
	KA128	4/170
	KA148	4/180
	KA168	4/190
	KA188	4/200
		BAD28
BAD38		4/113
KAD38		4/121
KAD48		4/131
KAD68		4/141
KAD88		4/151
KAD108		4/161
KAD128		4/171
KAD148		4/181
KAD168		4/191
KAD188		4/201

Dimension drawing overview (continued)

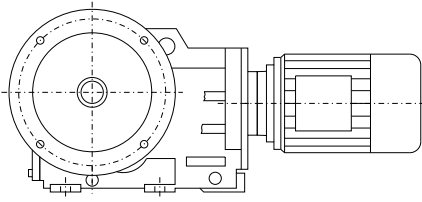
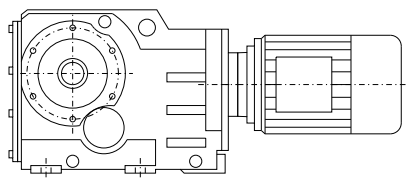
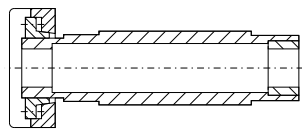
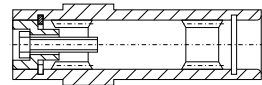
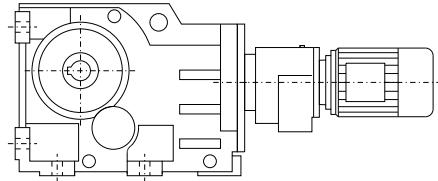
Representation	Gearbox type	Dimension drawing on page
	BAF28	4/106
	BAF38	4/114
	KAF38	4/122
	KAF48	4/132
	KAF68	4/142
	KAF88	4/152
	KAF108	4/162
	KAF128	4/172
	KAF148	4/182
	KAF168	4/192
	KAF188	4/202
		KAZ38
KAZ48		4/133
KAZ68		4/143
KAZ88		4/153
KAZ108		4/163
KAZ128		4/173
KAZ148		4/183
KAZ168		4/193
KAZ188		4/203
		BAS28 / BAZS28
	BAS38 / BAZS38	4/115
	KAS38	4/124
	KAS48	4/134
	KAS68	4/144
	KAS88	4/154
	KAS108	4/164
	KAS128	4/174
	KAS148	4/184
	KAS168	4/194
	KAS188	4/204
	BADS28	4/108
	BADS38	4/116
	KADS38	4/125
	KADS48	4/135
	KADS68	4/145
	KADS88	4/155
	KADS108	4/165
	KADS128	4/175
	KADS148	4/185
	KADS168	4/195
	KADS188	4/205

MOTOX Geared Motors

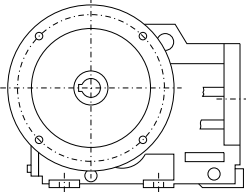
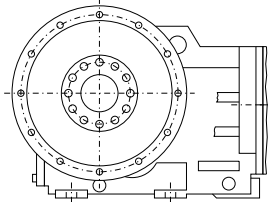
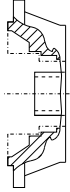
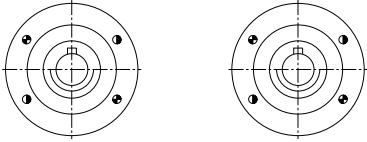
Bevel helical geared motors

Dimensions

Dimension drawing overview (continued)

Representation	Gearbox type	Dimension drawing on page	
	BAFS28	4/109	
	BAFS38	4/117	
	KAFS38	4/126	
	KAFS48	4/136	
	KAFS68	4/146	
	KAFS88	4/156	
	KAFS108	4/166	
	KAFS128	4/176	
	KAFS148	4/186	
	KAFS168	4/196	
	KAFS188	4/206	
		KAZS38	4/127
		KAZS48	4/137
KAZS68		4/147	
KAZS88		4/157	
KAZS108		4/167	
KAZS128		4/177	
KAZS148		4/187	
KAZS168		4/197	
KAZS188		4/207	
	KA.S38 ... KA.S188	4/208	
	KA.T38 ... KA.T188	4/209	
	K.38-Z28 ... K.188-Z68	4/210	

Dimension drawing overview (continued)

Representation	Gearbox type	Dimension drawing on page
	K.M88 ... K.M168	4/213
	KAE88 ... KAE168	4/215
	Additional flange-mounted design	4/217
	Pin holes	4/218

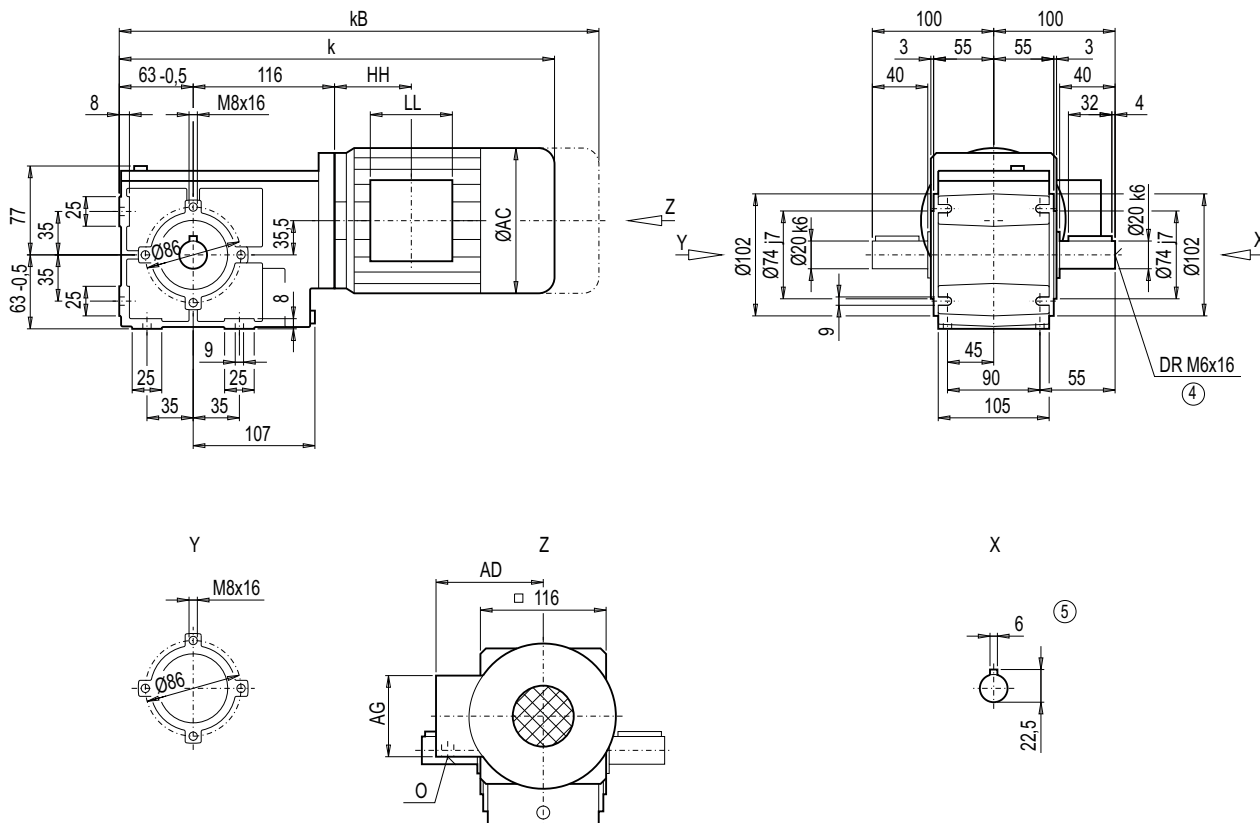
MOTOX Geared Motors

Bevel helical geared motors

Dimensions

Gearbox B/BZ28 (2-stage), housing-flange-mounted design (C-type)

B012
BZ012



Motor	B.28								Weight
	k	kB	AC	AD	AG	LL	HH	O	B.28
LA71	381.5	436.5	139	146	90	90	58.5	M20x1.5/M25x1.5	10
LA71Z	400.5	455.5	139	146	90	90	58.5	M20x1.5/M25x1.5	10
LA90S/L	478.5	549.5	174	163	90	90	87.0	M20x1.5/M25x1.5	20
LA90ZL	523.5	594.5	174	163	90	90	211.0	M20x1.5/M25x1.5	28
LA100L	560.5	641.5	195	168	120	120	163.5	2xM32x1.5	29
LA100ZL	630.5	711.5	195	168	120	120	295.5	2xM32x1.5	39

④ DIN 332

⑤ Feather key / keyway DIN 6885

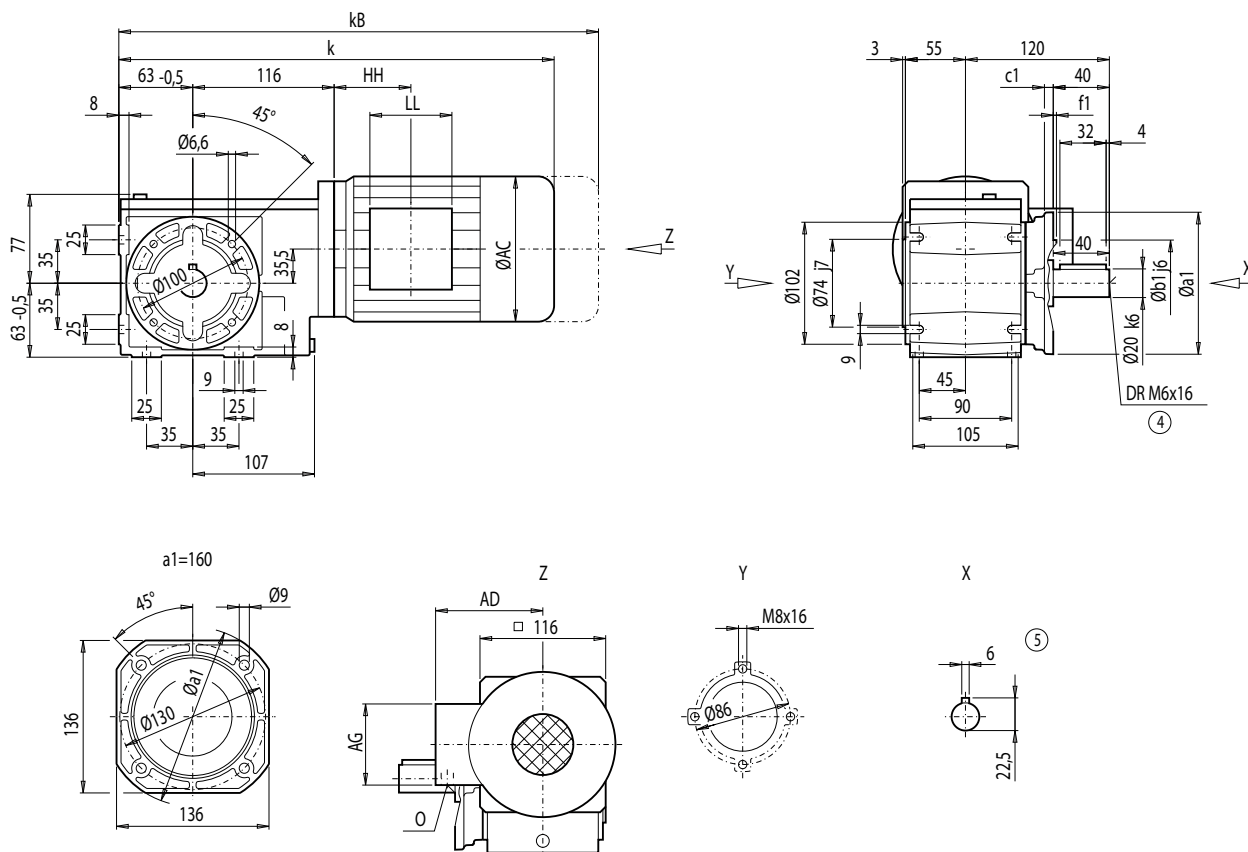
MOTOX Geared Motors

Bevel helical geared motors

Dimensions

Gearbox BF28 (2-stage), flange-mounted design (A-type)

BF012



Flange	a1	b1	to2	c1	f1
A120	120	80	j6	8	3.0
A160	160	110	j6	9	3.5

Motor	BF28								Weight BF28
	k	kB	AC	AD	AG	LL	HH	O	
LA71	381.5	436.5	139	146	90	90	58.5	M20x1.5/M25x1.5	10
LA71Z	400.5	455.5	139	146	90	90	58.5	M20x1.5/M25x1.5	10
LA90S/L	478.5	549.5	174	163	90	90	87.0	M20x1.5/M25x1.5	20
LA90ZL	523.5	594.5	174	163	90	90	211.0	M20x1.5/M25x1.5	29
LA100L	560.5	641.5	195	168	120	120	163.5	2xM32x1.5	29
LA100ZL	630.5	711.5	195	168	120	120	295.5	2xM32x1.5	39

④ DIN 332

⑤ Feather key / keyway DIN 6885

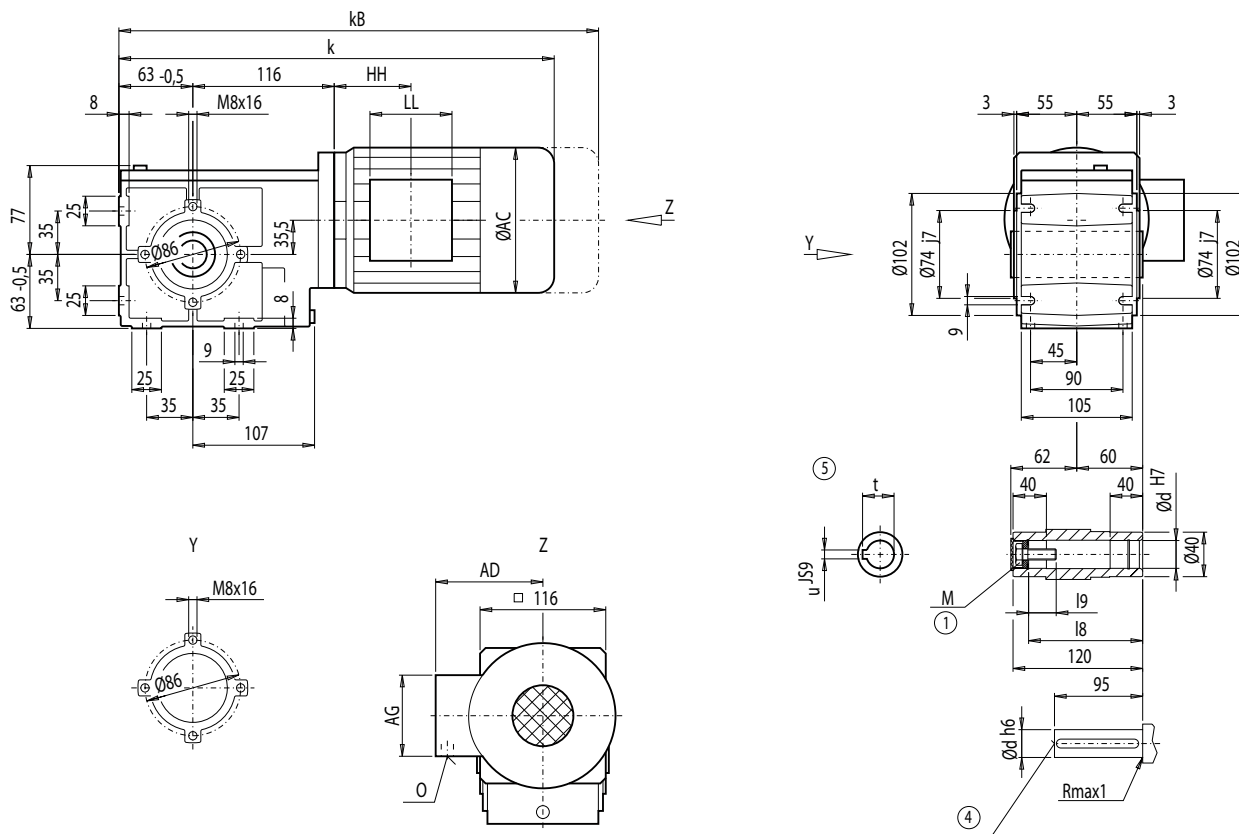
MOTOX Geared Motors

Bevel helical geared motors

Dimensions

Gearbox BA/BAZ28 (2-stage), housing-flange-mounted design (C-type)

BA012
BAZ012



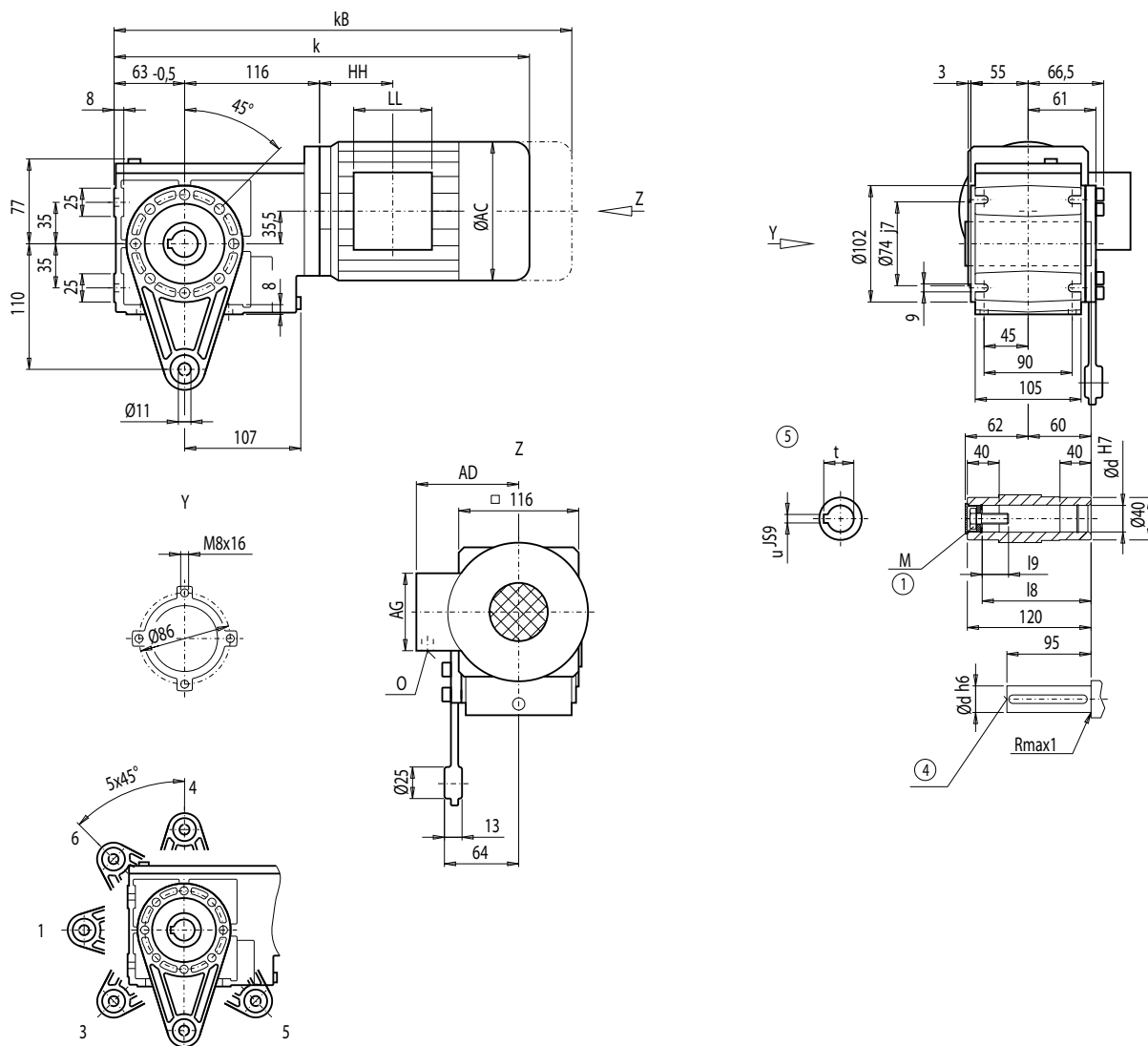
d	l9	l8	M	t	u
20 *)	23.4	106	M6	22.8	6
25	27.6	105	M10	28.3	8

*) Preferred series

Motor	BA.28								Weight
	k	kB	AC	AD	AG	LL	HH	O	BA.28
LA71	381.5	436.5	139	146	90	90	58.5	M20x1.5/M25x1.5	10
LA71Z	400.5	455.5	139	146	90	90	58.5	M20x1.5/M25x1.5	10
LA90S/L	478.5	549.5	174	163	90	90	87.0	M20x1.5/M25x1.5	19
LA90ZL	523.5	594.5	174	163	90	90	211.0	M20x1.5/M25x1.5	28
LA100L	560.5	641.5	195	168	120	120	163.5	2xM32x1.5	28
LA100ZL	630.5	711.5	195	168	120	120	295.5	2xM32x1.5	38

Gearbox BAD28 (2-stage), shaft-mounted design with torque arm

BAD012



d	19	18	M	t	u
20 *)	23.4	106	M6	22.8	6
25	27.6	105	M10	28.3	8

*) Preferred series

Motor	BAD28								Weight BAD28
	k	kB	AC	AD	AG	LL	HH	O	
LA71	381.5	436.5	139	146	90	90	58.5	M20x1.5/M25x1.5	10
LA71Z	400.5	455.5	139	146	90	90	58.5	M20x1.5/M25x1.5	10
LA90S/L	478.5	549.5	174	163	90	90	87.0	M20x1.5/M25x1.5	19
LA90ZL	523.5	594.5	174	163	90	90	211.0	M20x1.5/M25x1.5	28
LA100L	560.5	641.5	195	168	120	120	163.5	2xM32x1.5	28
LA100ZL	630.5	711.5	195	168	120	120	295.5	2xM32x1.5	38

④ DIN 332

⑤ Feather key / keyway DIN 6885

① EN ISO 4014

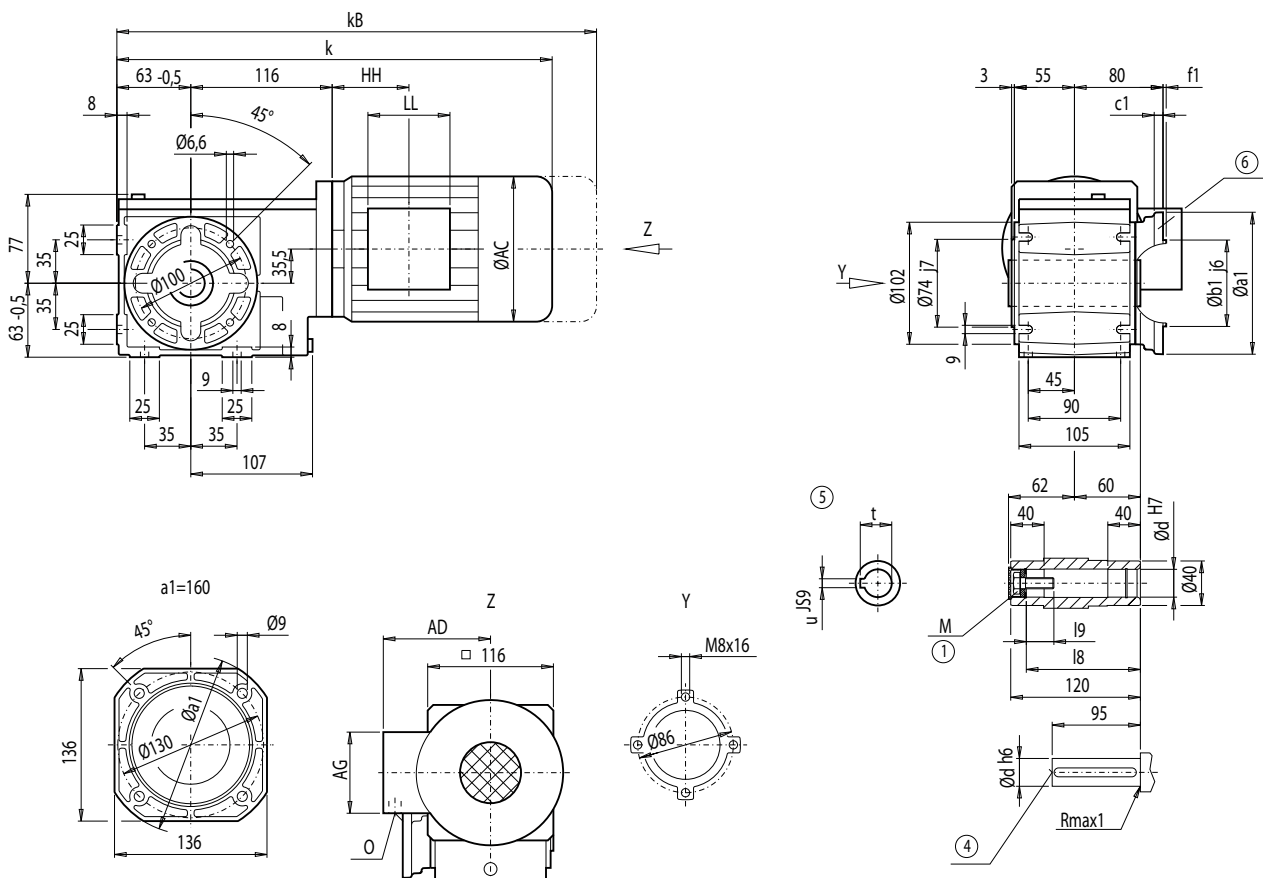
MOTOX Geared Motors

Bevel helical geared motors

Dimensions

Gearbox BAF28 (2-stage), flange-mounted design

BAF012



Flange	a1	b1	to2	c1	f1	d	M	I9	I8	t	u
A120	120	80	j6	8	3.0	20 ^{*)}	M6	23.4	106	22.8	6
						25	M10	27.6	105	28.3	8
A160	160	110	j6	9	3.5	20 ^{*)}	M6	23.4	106	22.8	6
						25	M10	27.6	105	28.3	8

^{*)} Preferred series

Motor	BAF28								Weight
	k	kB	AC	AD	AG	LL	HH	O	BAF28
LA71	381.5	436.5	139	146	90	90	58.5	M20x1.5/M25x1.5	10
LA71Z	400.5	455.5	139	146	90	90	58.5	M20x1.5/M25x1.5	10
LA90S/L	478.5	549.5	174	163	90	90	87.0	M20x1.5/M25x1.5	19
LA90ZL	523.5	594.5	174	163	90	90	211.0	M20x1.5/M25x1.5	28
LA100L	560.5	641.5	195	168	120	120	163.5	2xM32x1.5	29
LA100ZL	630.5	711.5	195	168	120	120	295.5	2xM32x1.5	39

① EN ISO 4014

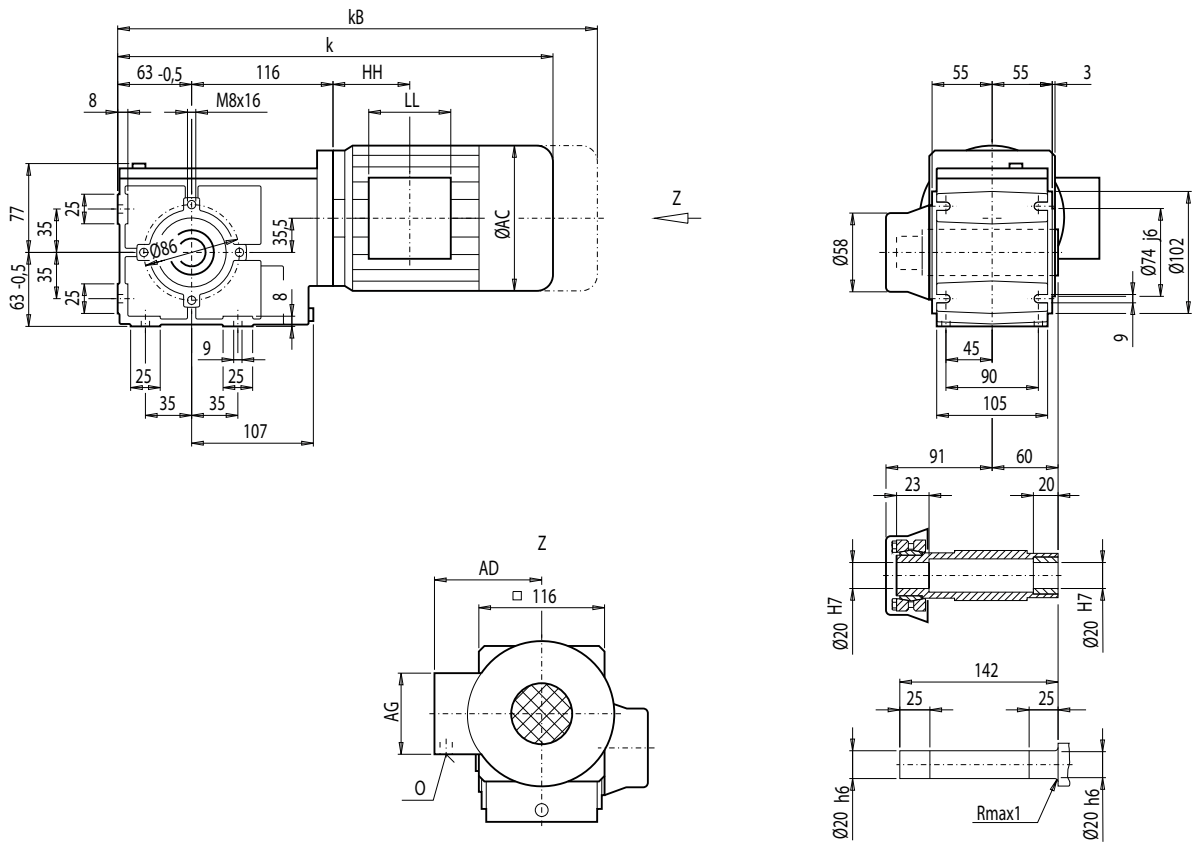
② DIN 332

③ Feather key / keyway DIN 6885

④ For note, see page 4/217

Gearbox BAS/BAZS28 (2-stage), shaft-mounted design with housing flange (C-type) and shrink disk

BAS012
BAZS012



4

Motor	BA.S28								Weight
	k	kB	AC	AD	AG	LL	HH	O	BA.S28
LA71	381.5	436.5	139	146	90	90	58.5	M20x1.5/M25x1.5	10
LA71Z	400.5	455.5	139	146	90	90	58.5	M20x1.5/M25x1.5	10
LA90S/L	478.5	549.5	174	163	90	90	87.0	M20x1.5/M25x1.5	19
LA90ZL	523.5	594.5	174	163	90	90	211.0	M20x1.5/M25x1.5	28
LA100L	560.5	641.5	195	168	120	120	163.5	2xM32x1.5	29
LA100ZL	630.5	711.5	195	168	120	120	295.5	2xM32x1.5	39

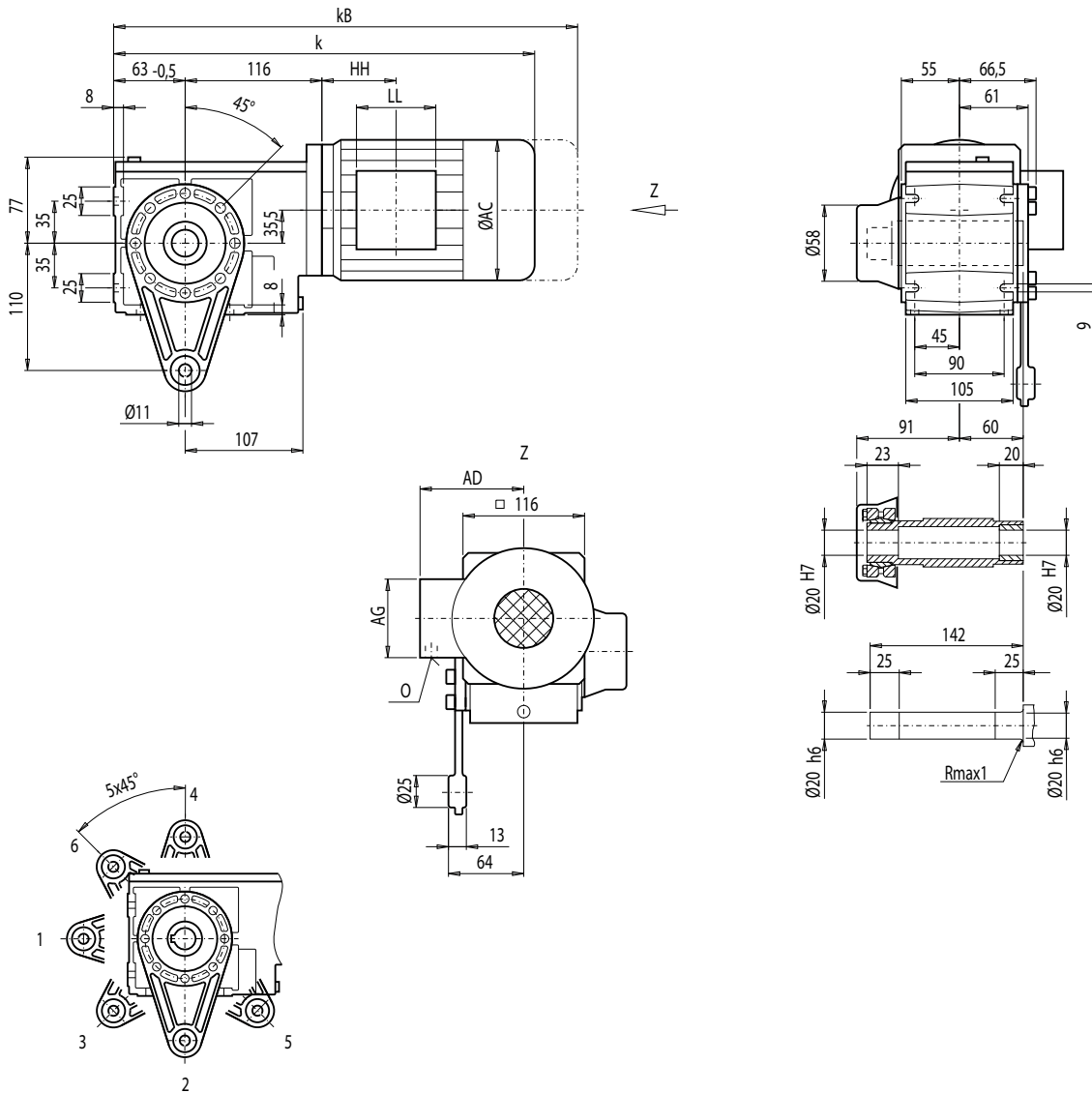
MOTOX Geared Motors

Bevel helical geared motors

Dimensions

GGearbox BADS28 (2-stage), shaft-mounted design with torque arm and shrink disk

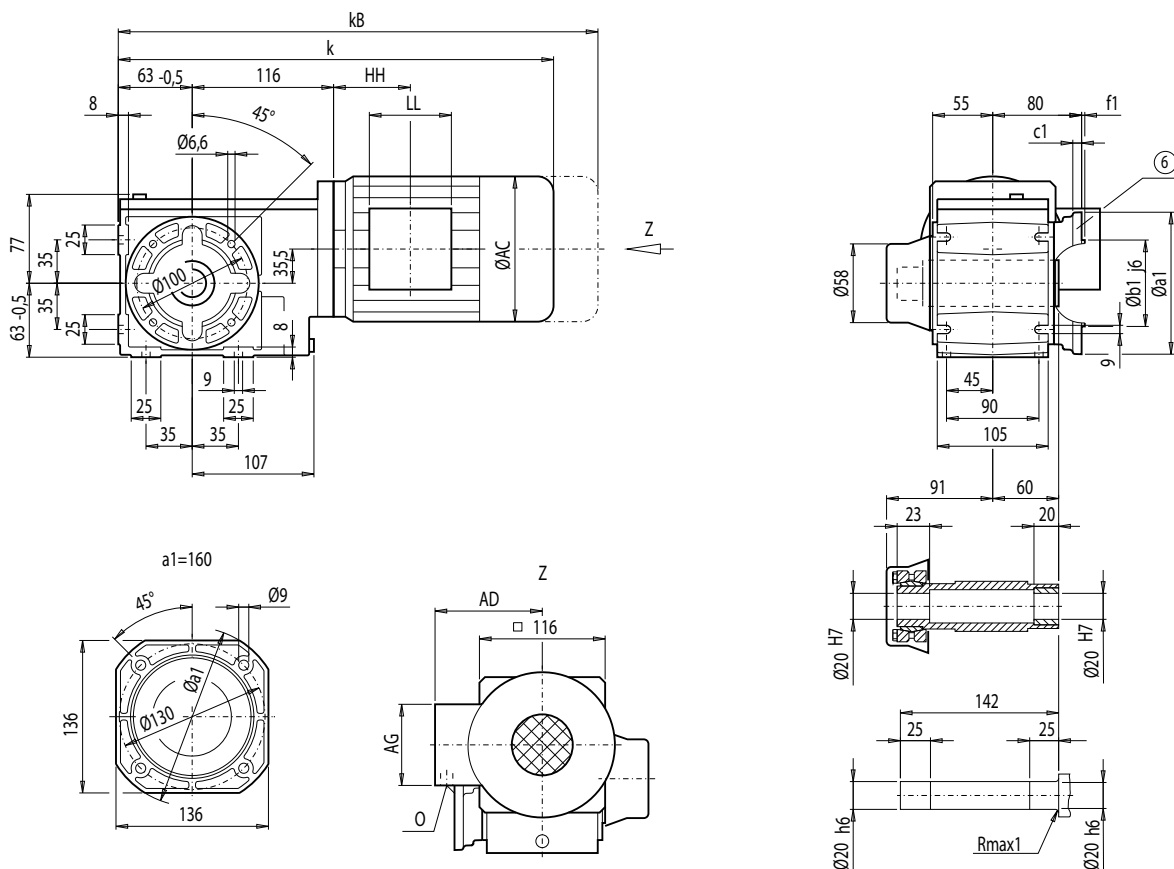
BADS012



Motor	BADS28								Weight BADS28
	k	kB	AC	AD	AG	LL	HH	O	
LA71	381.5	436.5	139	146	90	90	58.5	M20x1.5/M25x1.5	10
LA71Z	400.5	455.5	139	146	90	90	58.5	M20x1.5/M25x1.5	10
LA90S/L	478.5	549.5	174	163	90	90	87.0	M20x1.5/M25x1.5	20
LA90ZL	523.5	594.5	174	163	90	90	211.0	M20x1.5/M25x1.5	29
LA100L	560.5	641.5	195	168	120	120	163.5	2xM32x1.5	29
LA100ZL	630.5	711.5	195	168	120	120	295.5	2xM32x1.5	39

Gearbox BAFS28 (2-stage), flange-mounted design and shrink disk

BAFS012



Flange	a1	b1	to2	c1	f1
A120	120	80	j6	8	3.0
A160	160	110	j6	9	3.5

Motor	BAFS28								Weight BAFS28
	k	kB	AC	AD	AG	LL	HH	O	
LA71	381.5	436.5	139	146	90	90	58.5	M20x1.5/M25x1.5	10
LA71Z	400.5	455.5	139	146	90	90	58.5	M20x1.5/M25x1.5	10
LA90S/L	478.5	549.5	174	163	90	90	87.0	M20x1.5/M25x1.5	20
LA90ZL	523.5	594.5	174	163	90	90	211.0	M20x1.5/M25x1.5	29
LA100L	560.5	641.5	195	168	120	120	163.5	2xM32x1.5	29
LA100ZL	630.5	711.5	195	168	120	120	295.5	2xM32x1.5	39

© For note, see page 4/217

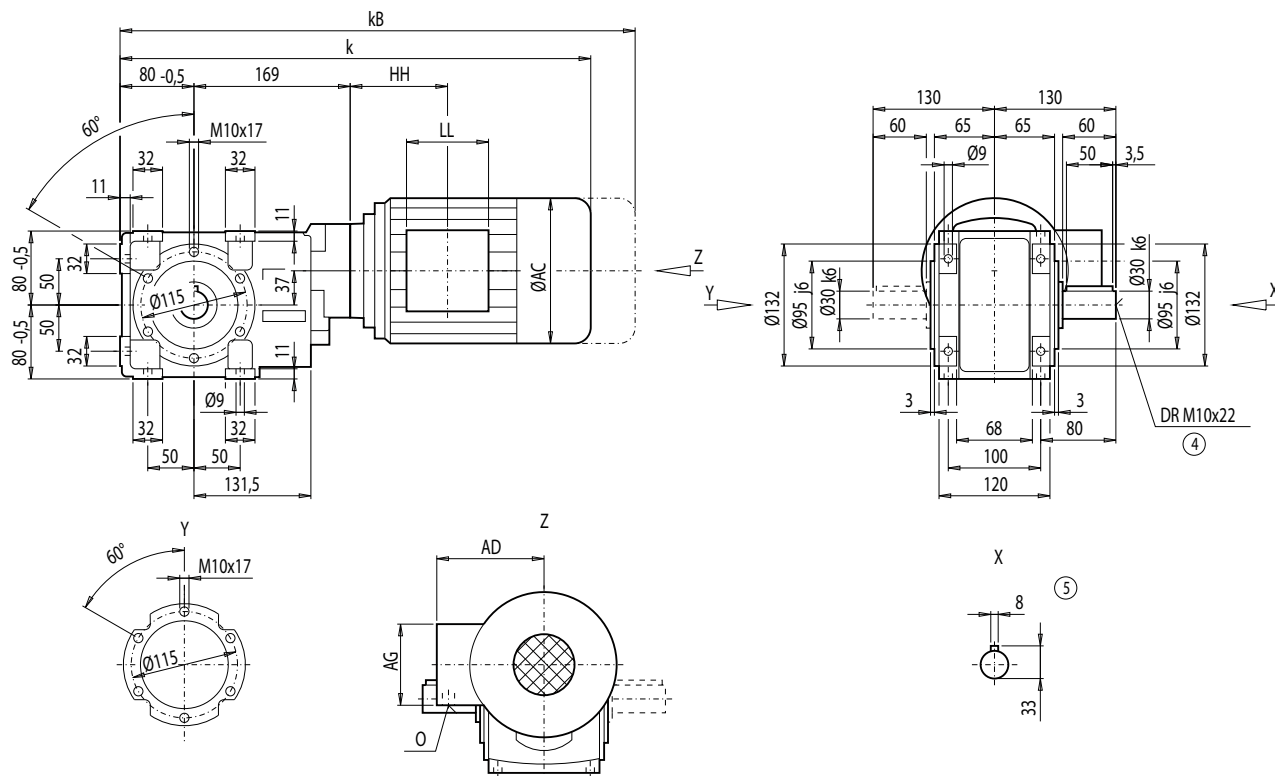
MOTOX Geared Motors

Bevel helical geared motors

Dimensions

Gearbox B/BZ38 (2-stage), housing-flange-mounted design (C-type)

B012
BZ012



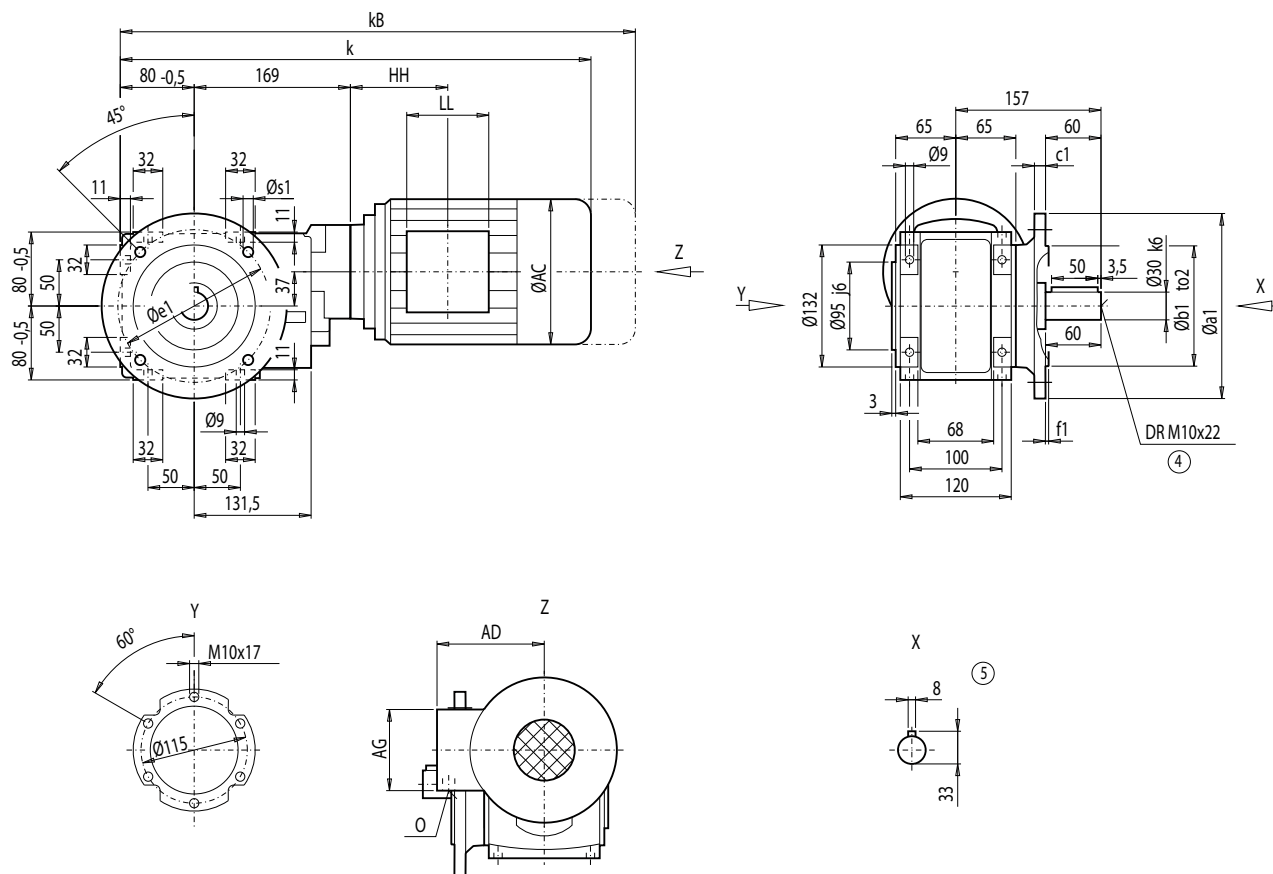
Motor	B.38								Weight
	k	kB	AC	AD	AG	LL	HH	O	B.38
LA71	482.0	537.0	139.0	146	90	90	89.0	M20x1.5/M25x1.5	21
LA71Z	501.0	556.0	139.0	146	90	90	89.0	M20x1.5/M25x1.5	21
LA80	519.0	582.5	156.5	155	90	90	88.5	M20x1.5/M25x1.5	26
LA80Z	541.5	605.0	156.5	155	90	90	161.5	M20x1.5/M25x1.5	30
LA90S/L	550.0	621.0	174.0	163	90	90	88.5	M20x1.5/M25x1.5	31
LA90ZL	595.0	666.0	174.0	163	90	90	212.5	M20x1.5/M25x1.5	37
LA100L	596.0	677.0	195.0	168	120	120	129.0	2xM32x1.5	40
LA100ZL	666.0	747.0	195.0	168	120	120	261.0	2xM32x1.5	50

④ DIN 332

⑤ Feather key / keyway DIN 6885

Gearbox BF38 (2-stage), flange-mounted design (A-type)

BF012



Flange	a1	b1	to2	c1	e1	f1	s1
A160	160	110	j6	10	130	3.0	9
A200	200	130	j6	12	165	3.5	11

Motor	BF38								Weight BF38
	k	kB	AC	AD	AG	LL	HH	O	
LA71	482.0	537.0	139.0	146	90	90	89.0	M20x1.5/M25x1.5	23
LA71Z	501.0	556.0	139.0	146	90	90	89.0	M20x1.5/M25x1.5	23
LA80	519.0	582.5	156.5	155	90	90	88.5	M20x1.5/M25x1.5	28
LA80Z	541.5	605.0	156.5	155	90	90	161.5	M20x1.5/M25x1.5	32
LA90S/L	550.0	621.0	174.0	163	90	90	88.5	M20x1.5/M25x1.5	32
LA90ZL	595.0	666.0	174.0	163	90	90	212.5	M20x1.5/M25x1.5	38
LA100L	596.0	677.0	195.0	168	120	120	129.0	2xM32x1.5	41
LA100ZL	666.0	747.0	195.0	168	120	120	261.0	2xM32x1.5	51

④ DIN 332

⑤ Feather key / keyway DIN 6885

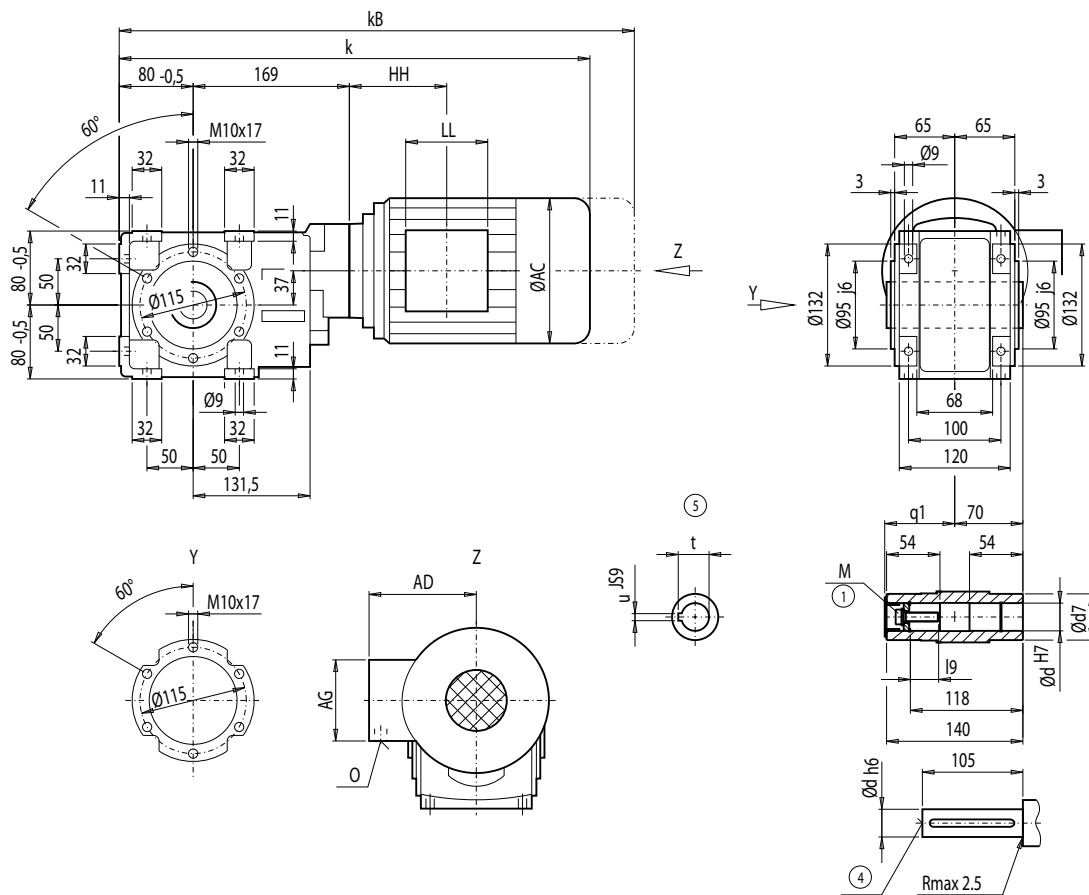
MOTOX Geared Motors

Bevel helical geared motors

Dimensions

Gearbox BA/BAZ38 (2-stage), housing-flange-mounted design (C-type)

BA012
BAZ012



d	l9	M	t	u	d7	q1
30 *)	31	M10	33.3	8	50	72
35	40	M12	38.3	10	50	72
40	48	M16	43.3	12	55	73

*) Preferred series

Motor	BA.38								Weight
	k	kB	AC	AD	AG	LL	HH	O	BA.38
LA71	482.0	537.0	139.0	146	90	90	89.0	M20x1.5/M25x1.5	21
LA71Z	501.0	556.0	139.0	146	90	90	89.0	M20x1.5/M25x1.5	21
LA80	519.0	582.5	156.5	155	90	90	88.5	M20x1.5/M25x1.5	26
LA80Z	541.5	605.0	156.5	155	90	90	161.5	M20x1.5/M25x1.5	30
LA90S/L	550.0	621.0	174.0	163	90	90	88.5	M20x1.5/M25x1.5	30
LA90ZL	595.0	666.0	174.0	163	90	90	212.5	M20x1.5/M25x1.5	36
LA100L	596.0	677.0	195.0	168	120	120	129.0	2xM32x1.5	39
LA100ZL	666.0	747.0	195.0	168	120	120	261.0	2xM32x1.5	49

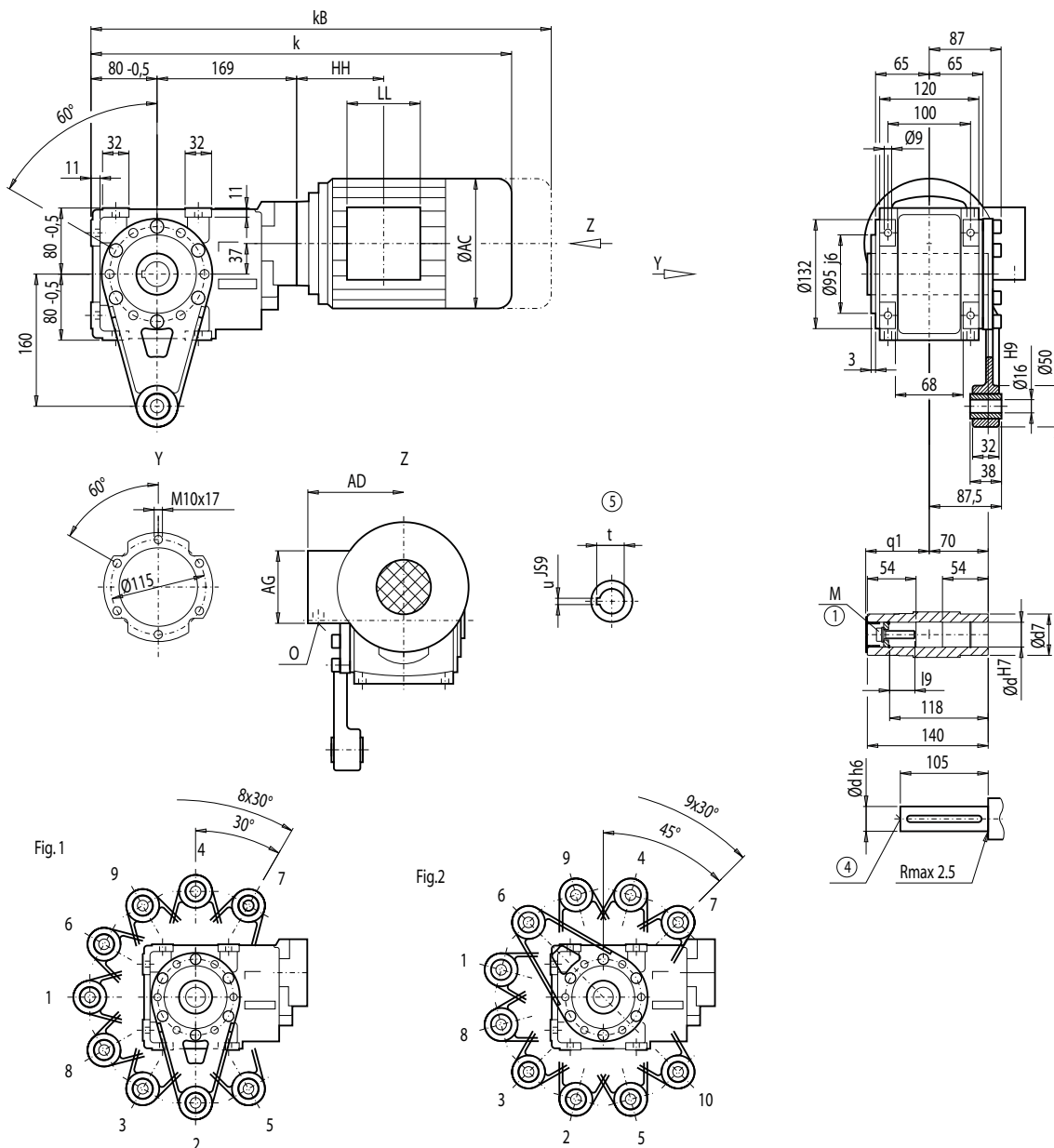
④ DIN 332

⑤ Feather key / keyway DIN 6885

① DIN 6912

Gearbox BAD38 (2-stage), shaft-mounted design with torque arm

BAD012



d	l9	M	t	u	d7	q1
30 *)	31	M10	33.3	8	50	72
35	40	M12	38.3	10	50	72
40	48	M16	43.3	12	55	73

*) Preferred series

Motor	BAD38								Weight BAD38
	k	k _B	AC	AD	AG	LL	HH	O	
LA71	482.0	537.0	139.0	146	90	90	89.0	M20x1.5/M25x1.5	22
LA71Z	501.0	556.0	139.0	146	90	90	89.0	M20x1.5/M25x1.5	22
LA80	519.0	582.5	156.5	155	90	90	88.5	M20x1.5/M25x1.5	27
LA80Z	541.5	605.0	156.5	155	90	90	161.5	M20x1.5/M25x1.5	31
LA90S/L	550.0	621.0	174.0	163	90	90	88.5	M20x1.5/M25x1.5	32
LA90ZL	595.0	666.0	174.0	163	90	90	212.5	M20x1.5/M25x1.5	38
LA100L	596.0	677.0	195.0	168	120	120	129.0	2xM32x1.5	41
LA100ZL	666.0	747.0	195.0	168	120	120	261.0	2xM32x1.5	51

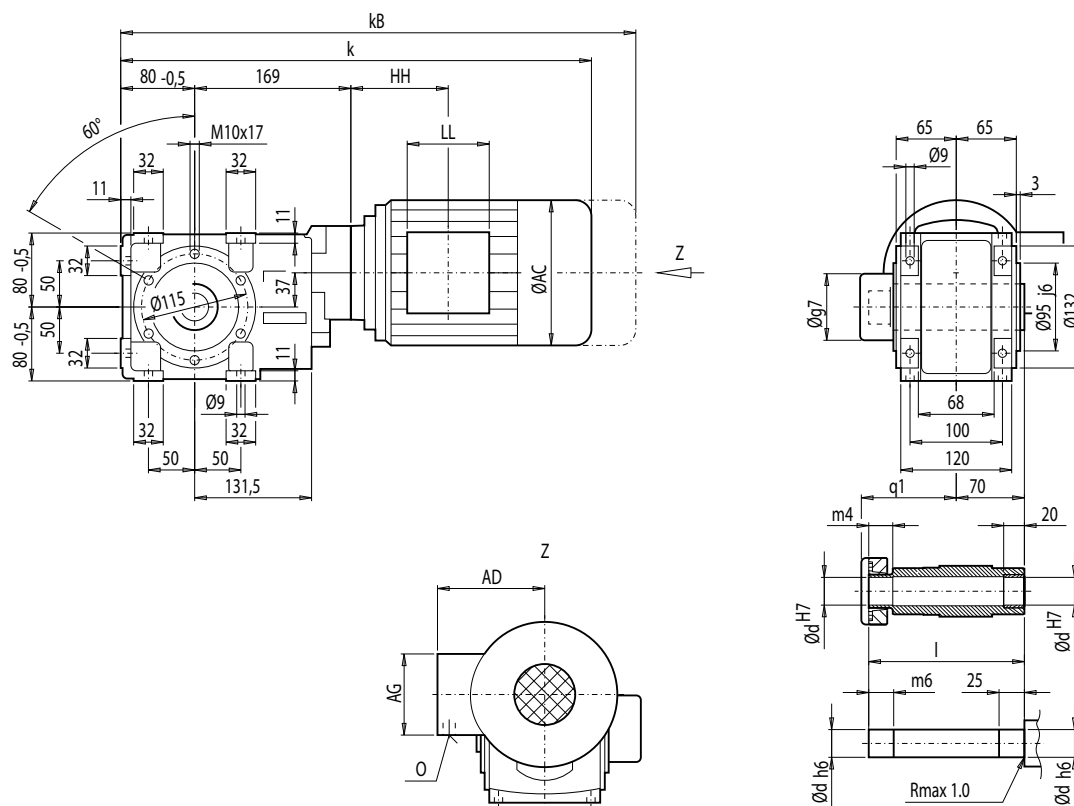
④ DIN 332

⊗ Feather key / keyway DIN 6885

① DIN 6912

Gearbox BAS/BAZS38 (2-stage), shaft-mounted design with housing flange (C-type) and shrink disk

BAS012
BAZS012



d	l	g7	m4	m6	q1
30 *)	166	77	27	32	104
35	168	85	27	32	106

*) Preferred series

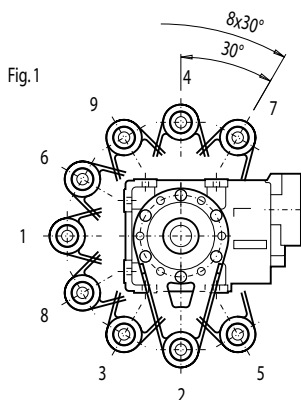
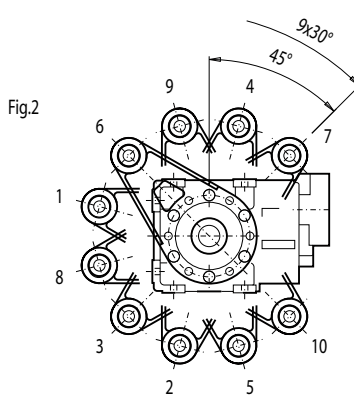
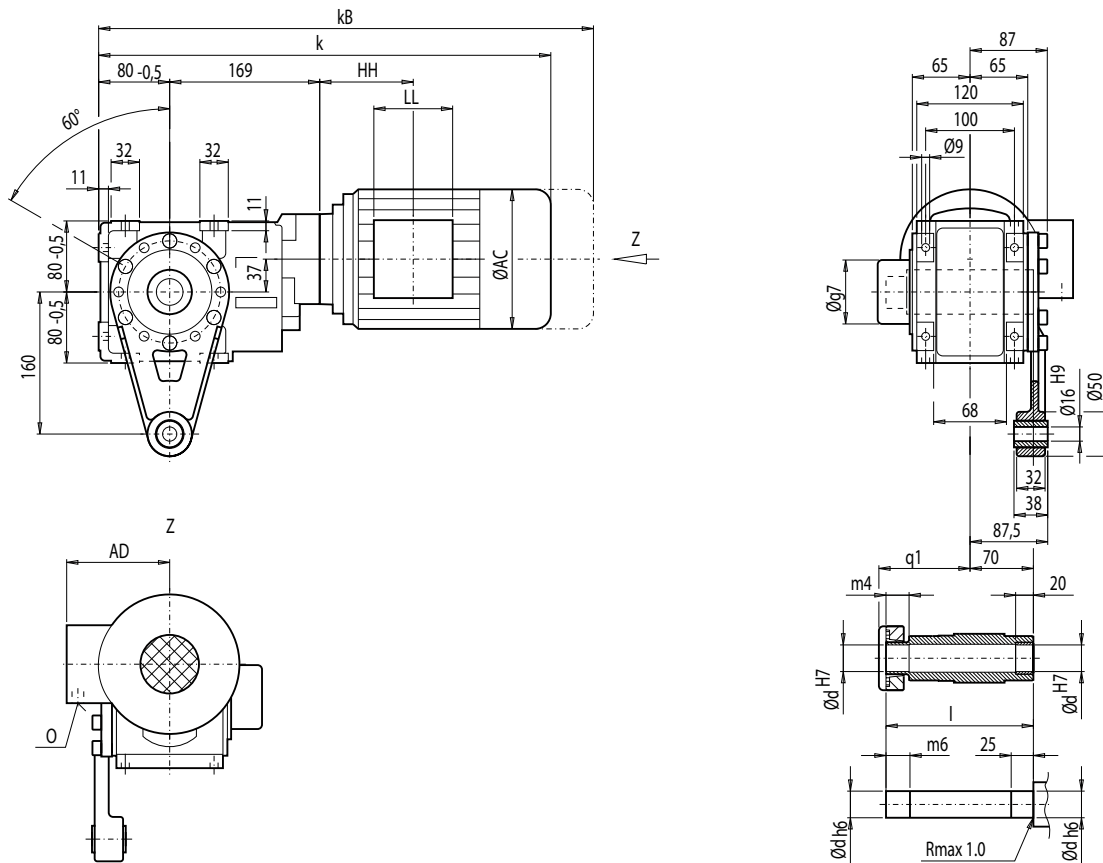
Motor	BA.S38								Weight
	k	k _B	AC	AD	AG	LL	HH	O	BA.S38
LA71	482.0	537.0	139.0	146	90	90	89.0	M20x1.5/M25x1.5	21
LA71Z	501.0	556.0	139.0	146	90	90	89.0	M20x1.5/M25x1.5	21
LA80	519.0	582.5	156.5	155	90	90	88.5	M20x1.5/M25x1.5	26
LA80Z	541.5	605.0	156.5	155	90	90	161.5	M20x1.5/M25x1.5	30
LA90S/L	550.0	621.0	174.0	163	90	90	88.5	M20x1.5/M25x1.5	31
LA90ZL	595.0	666.0	174.0	163	90	90	212.5	M20x1.5/M25x1.5	37
LA100L	596.0	677.0	195.0	168	120	120	129.0	2xM32x1.5	40
LA100ZL	666.0	747.0	195.0	168	120	120	261.0	2xM32x1.5	50

MOTOX Geared Motors

Bevel helical geared motors

Dimensions

Gearbox BADS38 (2-stage), shaft-mounted design with torque arm BADS012



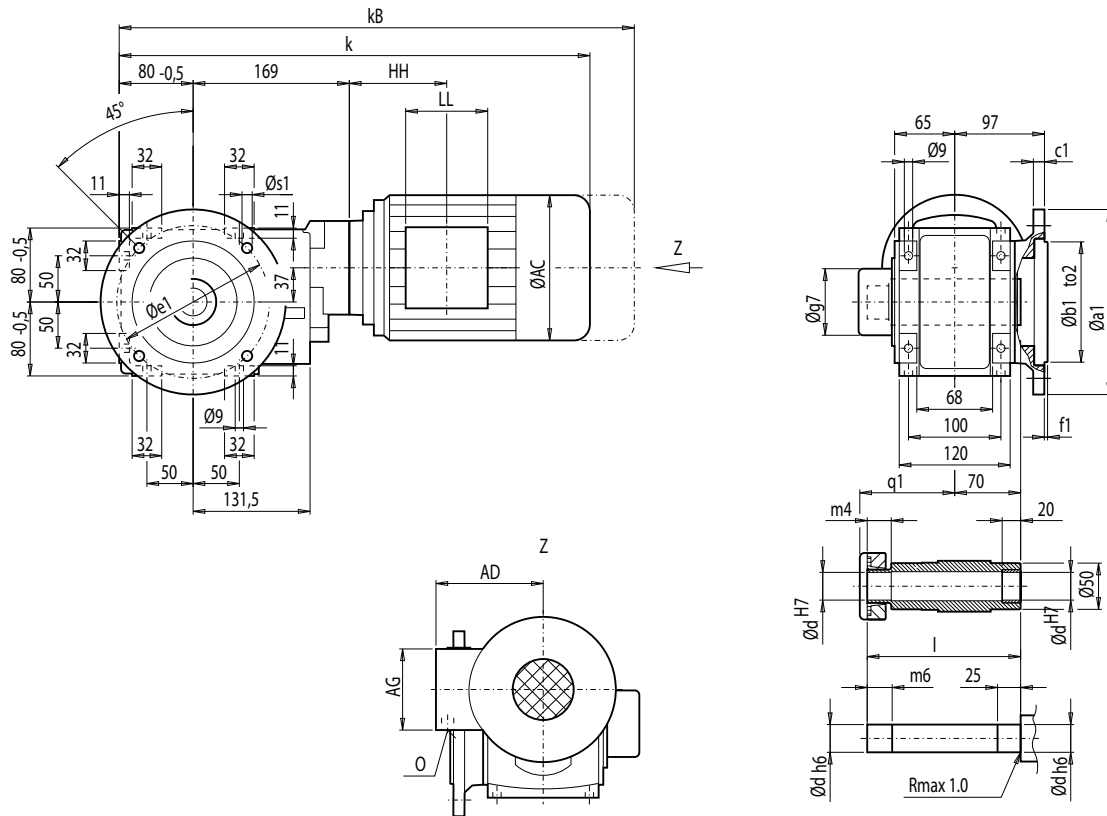
d	l	g7	m4	m6	q1
30 *)	166	77	27	32	104
35	168	85	27	32	106

*) Preferred series

Motor	BADS38								Weight BADS38
	k	kB	AC	AD	AG	LL	HH	O	
LA71	482.0	537.0	139.0	146	90	90	89.0	M20x1.5/M25x1.5	23
LA71Z	501.0	556.0	139.0	146	90	90	89.0	M20x1.5/M25x1.5	23
LA80	519.0	582.5	156.5	155	90	90	88.5	M20x1.5/M25x1.5	28
LA80Z	541.5	605.0	156.5	155	90	90	161.5	M20x1.5/M25x1.5	32
LA90S/L	550.0	621.0	174.0	163	90	90	88.5	M20x1.5/M25x1.5	32
LA90ZL	595.0	666.0	174.0	163	90	90	212.5	M20x1.5/M25x1.5	38
LA100L	596.0	677.0	195.0	168	120	120	129.0	2xM32x1.5	41
LA100ZL	666.0	747.0	195.0	168	120	120	261.0	2xM32x1.5	51

Gearbox BAFS38 (2-stage), flange mounted design and shrink disk

BAFS012



Flange	a1	b1	to2	c1	e1	f1	s1	d	l	g7	m4	m6	q1
A160	160	110	j6	10	130	3.0	9	30 ^{*)}	166	77	27	32	104
								35	168	85	27	32	106
A200	200	130	j6	12	165	3.5	11	30 ^{*)}	166	77	27	32	104
								35	168	85	27	32	106

*) Preferred series

Motor	BAFS38								Weight BAFS38
	k	kB	AC	AD	AG	LL	HH	O	
LA71	482.0	537.0	139.0	146	90	90	89.0	M20x1.5/M25x1.5	22
LA71Z	501.0	556.0	139.0	146	90	90	89.0	M20x1.5/M25x1.5	22
LA80	519.0	582.5	156.5	155	90	90	88.5	M20x1.5/M25x1.5	27
LA80Z	541.5	605.0	156.5	155	90	90	161.5	M20x1.5/M25x1.5	31
LA90S/L	550.0	621.0	174.0	163	90	90	88.5	M20x1.5/M25x1.5	32
LA90ZL	595.0	666.0	174.0	163	90	90	212.5	M20x1.5/M25x1.5	38
LA100L	596.0	677.0	195.0	168	120	120	129.0	2xM32x1.5	41
LA100ZL	666.0	747.0	195.0	168	120	120	261.0	2xM32x1.5	51

© For note, see page 4/217

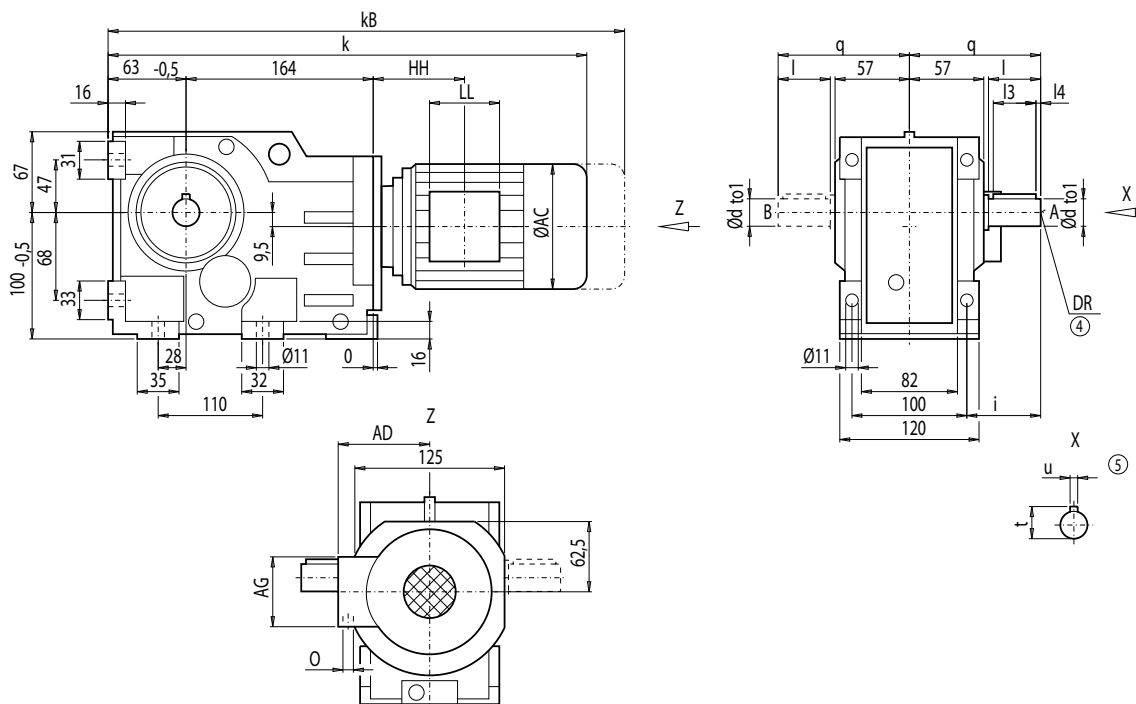
MOTOX Geared Motors

Bevel helical geared motors

Dimensions

Gearbox K38 (3-stage), housing-flange-mounted design (C-type)

K012



d	to1	l	l3	l4	t	u	i	q	DR
25 *)	k6	50	40	5	28	8	60	110	M10x22
35	k6	70	56	5	38	10	80	130	M12x28

*) Preferred series

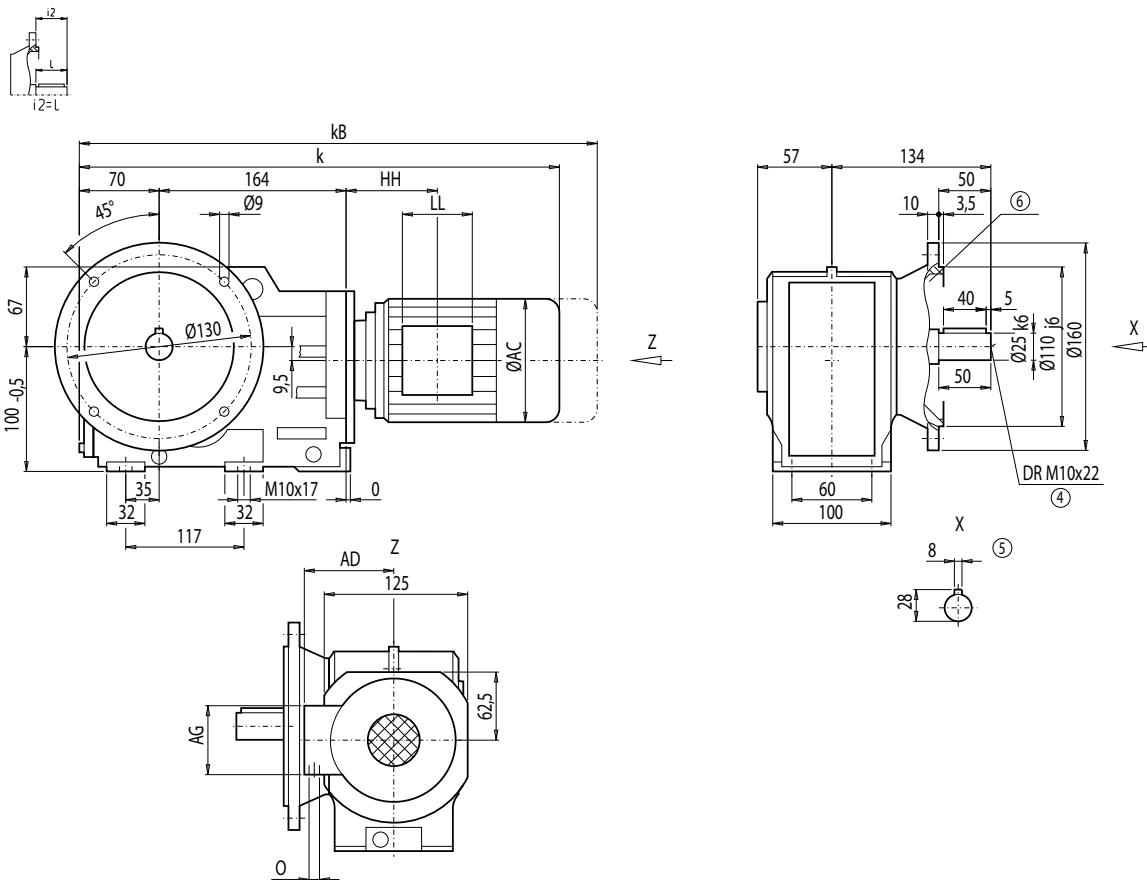
Motor	K38									Weight
	k	kB	AC	AD	AG	LL	HH	O	K38	
LA71	485.5	540.5	139.0	146	90	90	114.5	M20x1.5/M25x1.5	20	
LA71Z	504.5	559.5	139.0	146	90	90	114.5	M20x1.5/M25x1.5	20	
LA80	522.5	586.0	156.5	155	90	90	114.0	M20x1.5/M25x1.5	25	
LA80Z	545.0	608.5	156.5	155	90	90	187.0	M20x1.5/M25x1.5	29	
LA90S/L	553.5	624.5	174.0	163	90	90	114.0	M20x1.5/M25x1.5	29	
LA90ZL	598.5	669.5	174.0	163	90	90	238.0	M20x1.5/M25x1.5	35	
LA100L	599.5	680.5	195.0	168	120	120	154.5	2xM32x1.5	38	
LA100ZL	669.5	750.5	195.0	168	120	120	286.5	2xM32x1.5	48	
LA112M	629.0	710.0	219.0	181	120	120	160.0	2xM32x1.5	49	
LA112ZM	657.0	738.0	219.0	181	120	120	264.0	2xM32x1.5	56	

④ DIN 332

⑤ Feather key / keyway DIN 6885

Gearbox KF38 (3-stage), flange-mounted design (A-type)

KF012



4

Motor	KF38								Weight KF38
	k	kB	AC	AD	AG	LL	HH	O	
LA71	492.5	547.5	139.0	146	90	90	114.5	M20x1.5/M25x1.5	21
LA71Z	511.5	566.5	139.0	146	90	90	114.5	M20x1.5/M25x1.5	21
LA80	529.5	593.0	156.5	155	90	90	114.0	M20x1.5/M25x1.5	26
LA80Z	552.0	615.5	156.5	155	90	90	187.0	M20x1.5/M25x1.5	30
LA90S/L	560.5	631.5	174.0	163	90	90	114.0	M20x1.5/M25x1.5	31
LA90ZL	605.5	676.5	174.0	163	90	90	238.0	M20x1.5/M25x1.5	37
LA100L	606.5	687.5	195.0	168	120	120	154.5	2xM32x1.5	40
LA100ZL	676.5	757.5	195.0	168	120	120	286.5	2xM32x1.5	50
LA112M	636.0	717.0	219.0	181	120	120	160.0	2xM32x1.5	50
LA112ZM	664.0	745.0	219.0	181	120	120	264.0	2xM32x1.5	57

④ DIN 332

⑤ Feather key / keyway DIN 6885

⑥ For note, see page 4/217

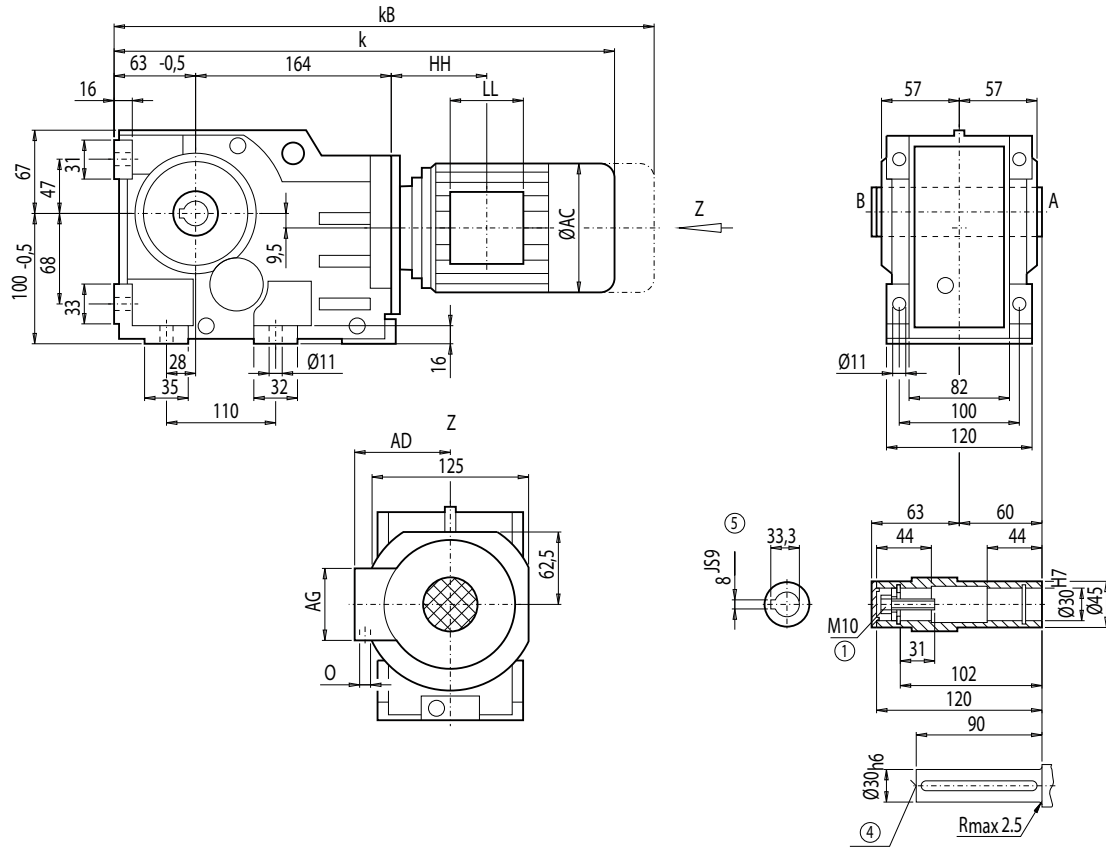
MOTOX Geared Motors

Bevel helical geared motors

Dimensions

Gearbox KA38 (3-stage), housing-flange-mounted design (C-type)

KA012



4

Motor	KA38								Weight
	k	kB	AC	AD	AG	LL	HH	O	KA38
LA71	485.5	540.5	139.0	146	90	90	114.5	M20x1.5/M25x1.5	18
LA71Z	504.5	559.5	139.0	146	90	90	114.5	M20x1.5/M25x1.5	18
LA80	522.5	586.0	156.5	155	90	90	114.0	M20x1.5/M25x1.5	23
LA80Z	545.0	608.5	156.5	155	90	90	187.0	M20x1.5/M25x1.5	27
LA90S/L	553.5	624.5	174.0	163	90	90	114.0	M20x1.5/M25x1.5	28
LA90ZL	598.5	669.5	174.0	163	90	90	238.0	M20x1.5/M25x1.5	34
LA100L	599.5	680.5	195.0	168	120	120	154.5	2xM32x1.5	37
LA100ZL	669.5	750.5	195.0	168	120	120	286.5	2xM32x1.5	47
LA112M	629.0	710.0	219.0	181	120	120	160.0	2xM32x1.5	48
LA112ZM	657.0	738.0	219.0	181	120	120	264.0	2xM32x1.5	55

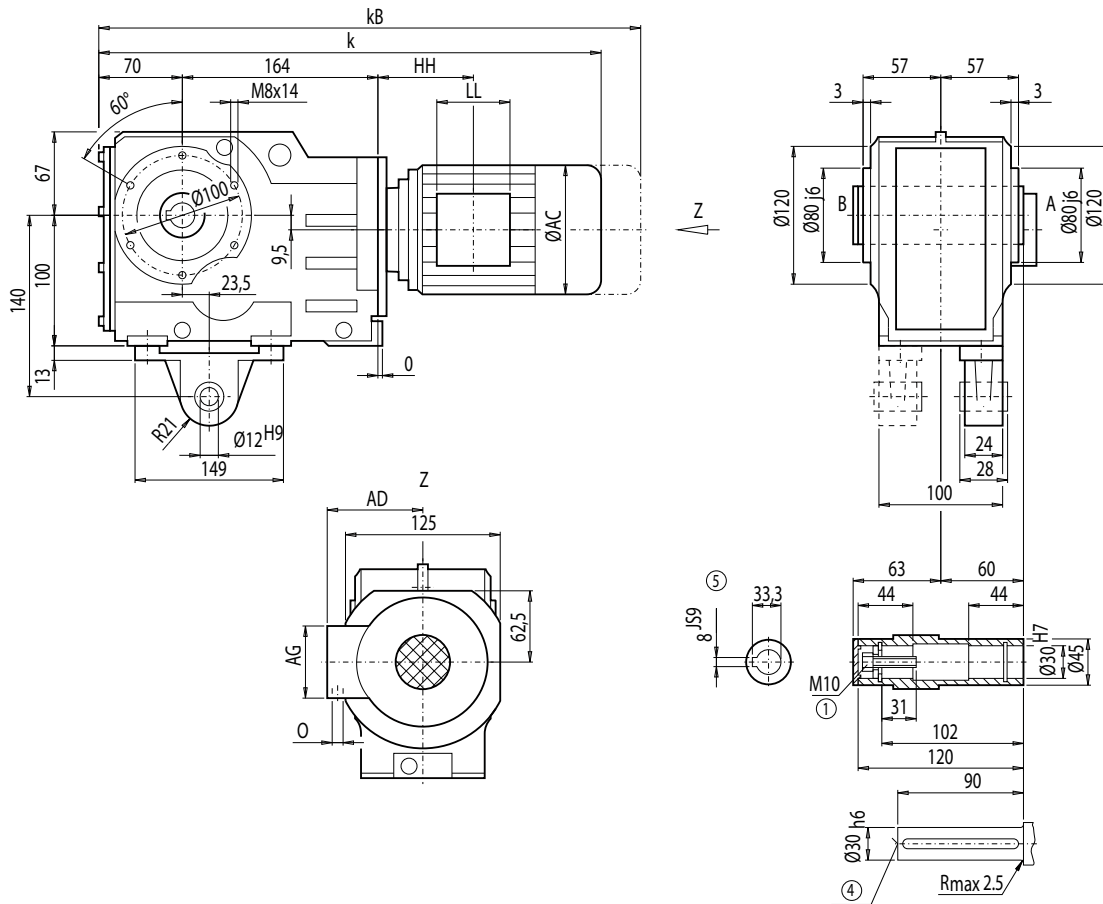
④ DIN 332

⑤ Feather key / keyway DIN 6885

① DIN 6912

Gearbox KAD38 (3-stage), shaft-mounted design with torque arm

KAD012



4

Motor	KAD38								Weight
	k	kB	AC	AD	AG	LL	HH	O	KAD38
LA71	492.5	547.5	139.0	146	90	90	114.5	M20x1.5/M25x1.5	19
LA71Z	511.5	566.5	139.0	146	90	90	114.5	M20x1.5/M25x1.5	19
LA80	529.5	593.0	156.5	155	90	90	114.0	M20x1.5/M25x1.5	24
LA80Z	552.0	615.5	156.5	155	90	90	187.0	M20x1.5/M25x1.5	28
LA90S/L	560.5	631.5	174.0	163	90	90	114.0	M20x1.5/M25x1.5	28
LA90ZL	605.5	676.5	174.0	163	90	90	238.0	M20x1.5/M25x1.5	34
LA100L	606.5	687.5	195.0	168	120	120	154.5	2xM32x1.5	38
LA100ZL	676.5	757.5	195.0	168	120	120	286.5	2xM32x1.5	48
LA112M	636.0	717.0	219.0	181	120	120	160.0	2xM32x1.5	48
LA112ZM	664.0	745.0	219.0	181	120	120	264.0	2xM32x1.5	55

④ DIN 332

⑤ Feather key / keyway DIN 6885

① DIN 6912

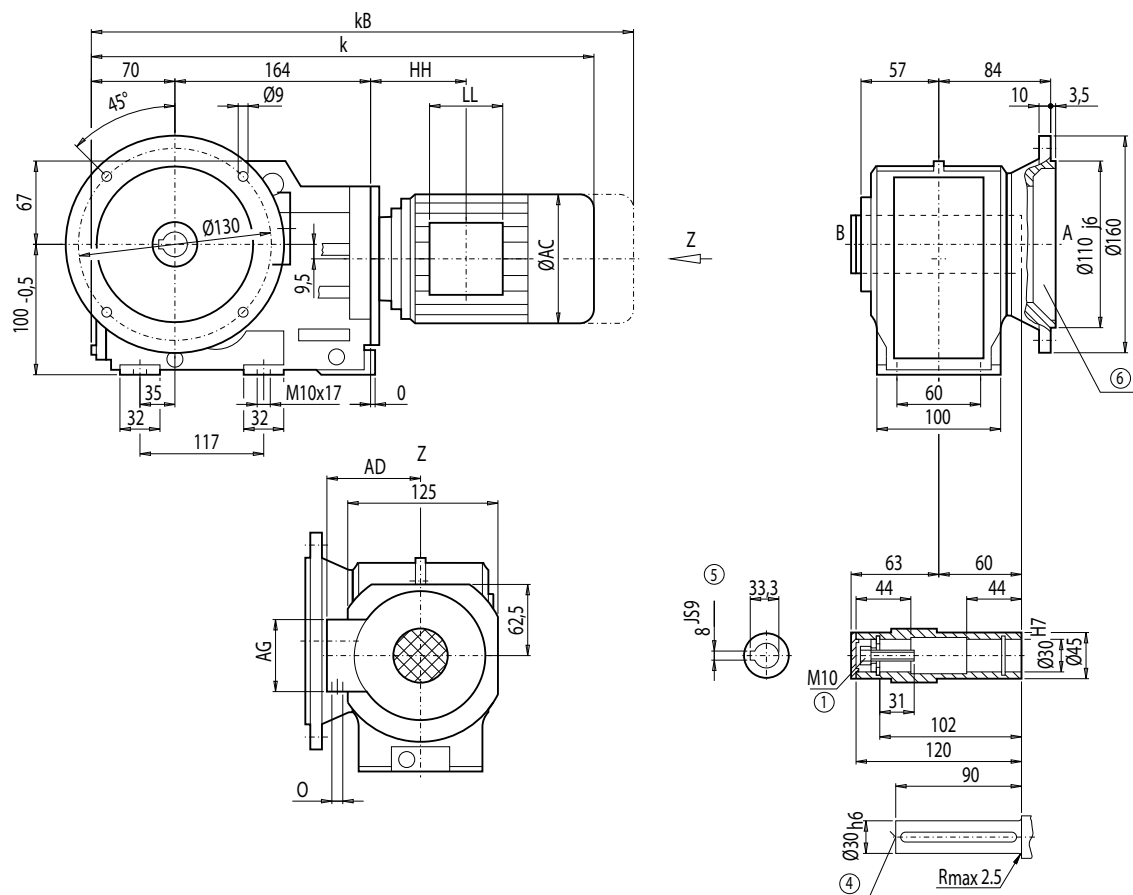
MOTOX Geared Motors

Bevel helical geared motors

Dimensions

Gearbox KAF38 (3-stage), flange-mounted design

KAF012



Motor	KAF38								Weight
	k	kB	AC	AD	AG	LL	HH	O	KAF38
LA71	492.5	547.5	139.0	146	90	90	114.5	M20x1.5/M25x1.5	20
LA71Z	511.5	566.5	139.0	146	90	90	114.5	M20x1.5/M25x1.5	20
LA80	529.5	593.0	156.5	155	90	90	114.0	M20x1.5/M25x1.5	25
LA80Z	552.0	615.5	156.5	155	90	90	187.0	M20x1.5/M25x1.5	29
LA90S/L	560.5	631.5	174.0	163	90	90	114.0	M20x1.5/M25x1.5	29
LA90ZL	605.5	676.5	174.0	163	90	90	238.0	M20x1.5/M25x1.5	35
LA100L	606.5	687.5	195.0	168	120	120	154.5	2xM32x1.5	39
LA100ZL	676.5	757.5	195.0	168	120	120	286.5	2xM32x1.5	49
LA112M	636.0	717.0	219.0	181	120	120	160.0	2xM32x1.5	49
LA112ZM	664.0	745.0	219.0	181	120	120	264.0	2xM32x1.5	56

④ DIN 332

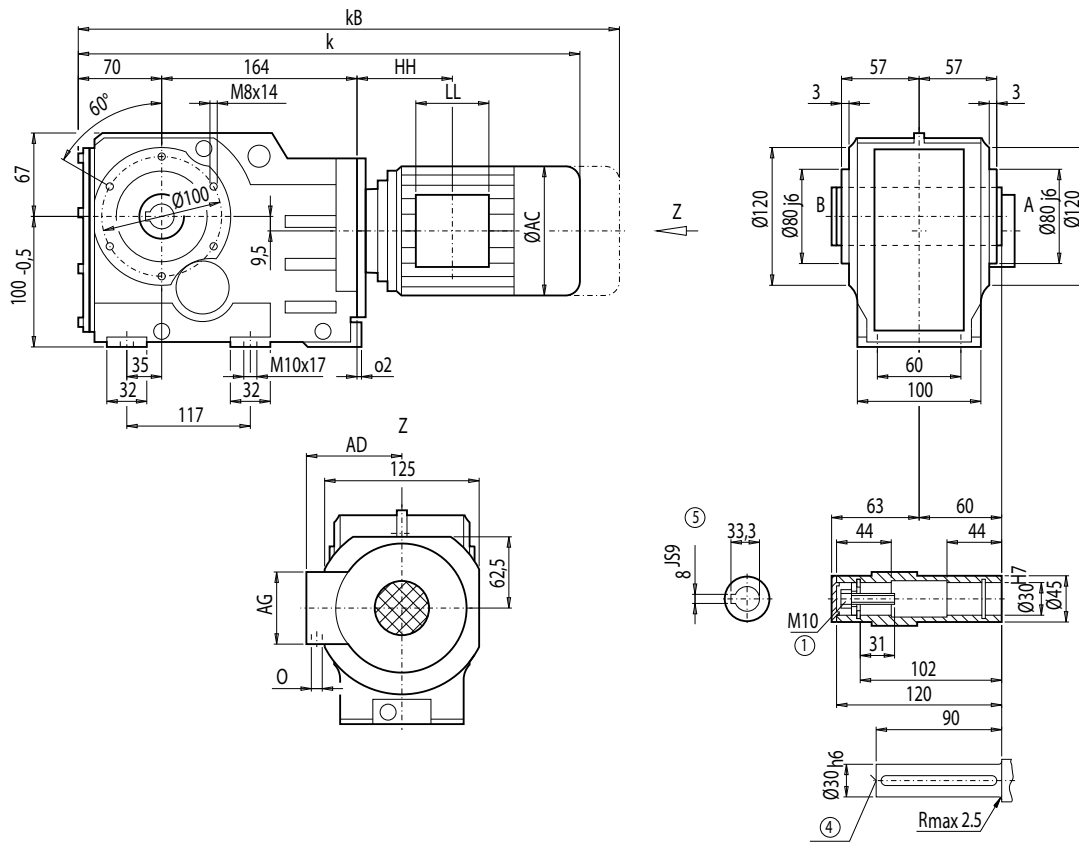
⑤ Feather key / keyway DIN 6885

① DIN 6912

⑥ For note, see page 4/217

Gearbox KAZ38 (3-stage), shaft-mounted design with housing flange (C-type)

KAZ012



4

Motor	KAZ38								Weight KAZ38
	k	kB	AC	AD	AG	LL	HH	O	
LA71	492.5	547.5	139.0	146	90	90	114.5	M20x1.5/M25x1.5	18
LA71Z	511.5	566.5	139.0	146	90	90	114.5	M20x1.5/M25x1.5	18
LA80	529.5	593.0	156.5	155	90	90	114.0	M20x1.5/M25x1.5	23
LA80Z	552.0	615.5	156.5	155	90	90	187.0	M20x1.5/M25x1.5	27
LA90S/L	560.5	631.5	174.0	163	90	90	114.0	M20x1.5/M25x1.5	28
LA90ZL	605.5	676.5	174.0	163	90	90	238.0	M20x1.5/M25x1.5	34
LA100L	606.5	687.5	195.0	168	120	120	154.5	2xM32x1.5	37
LA100ZL	676.5	757.5	195.0	168	120	120	286.5	2xM32x1.5	47
LA112M	636.0	717.0	219.0	181	120	120	160.0	2xM32x1.5	48
LA112ZM	664.0	745.0	219.0	181	120	120	264.0	2xM32x1.5	55

④ DIN 332

⑤ Feather key / keyway DIN 6885

① DIN 6912

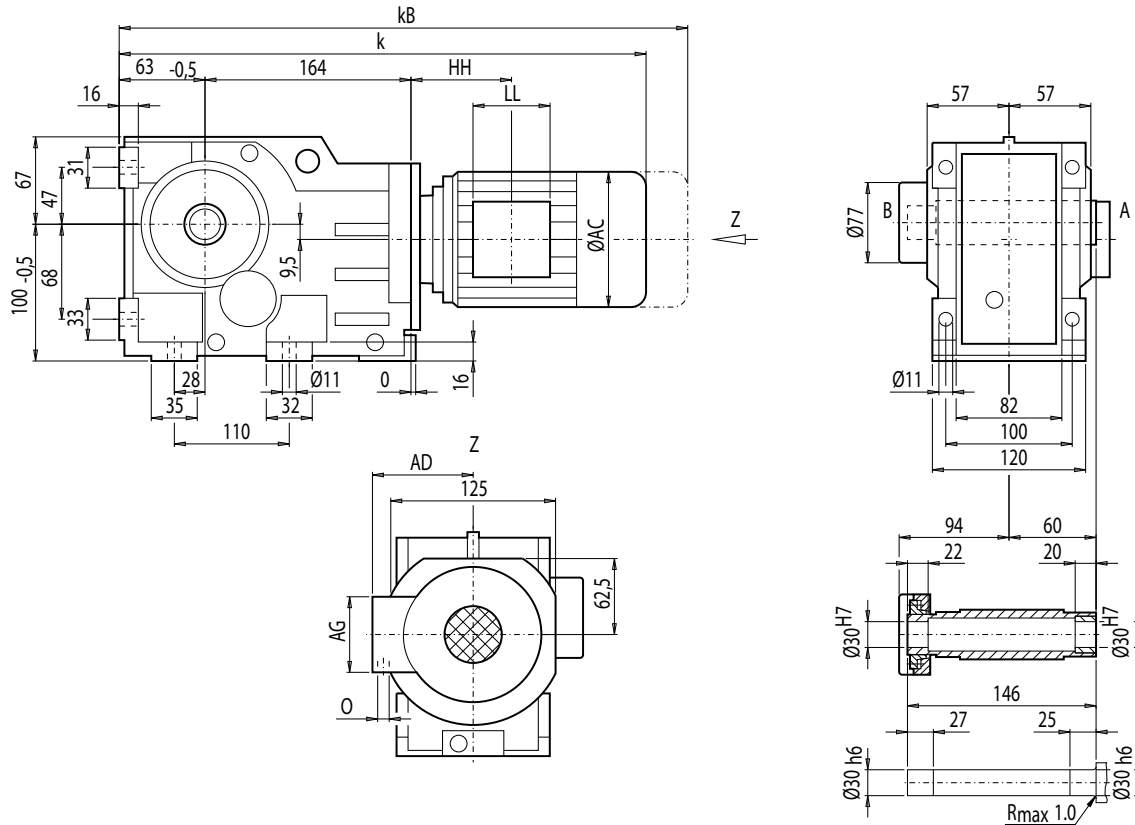
MOTOX Geared Motors

Bevel helical geared motors

Dimensions

Gearbox KAS38 (3-stage), shaft-mounted design with shrink disk

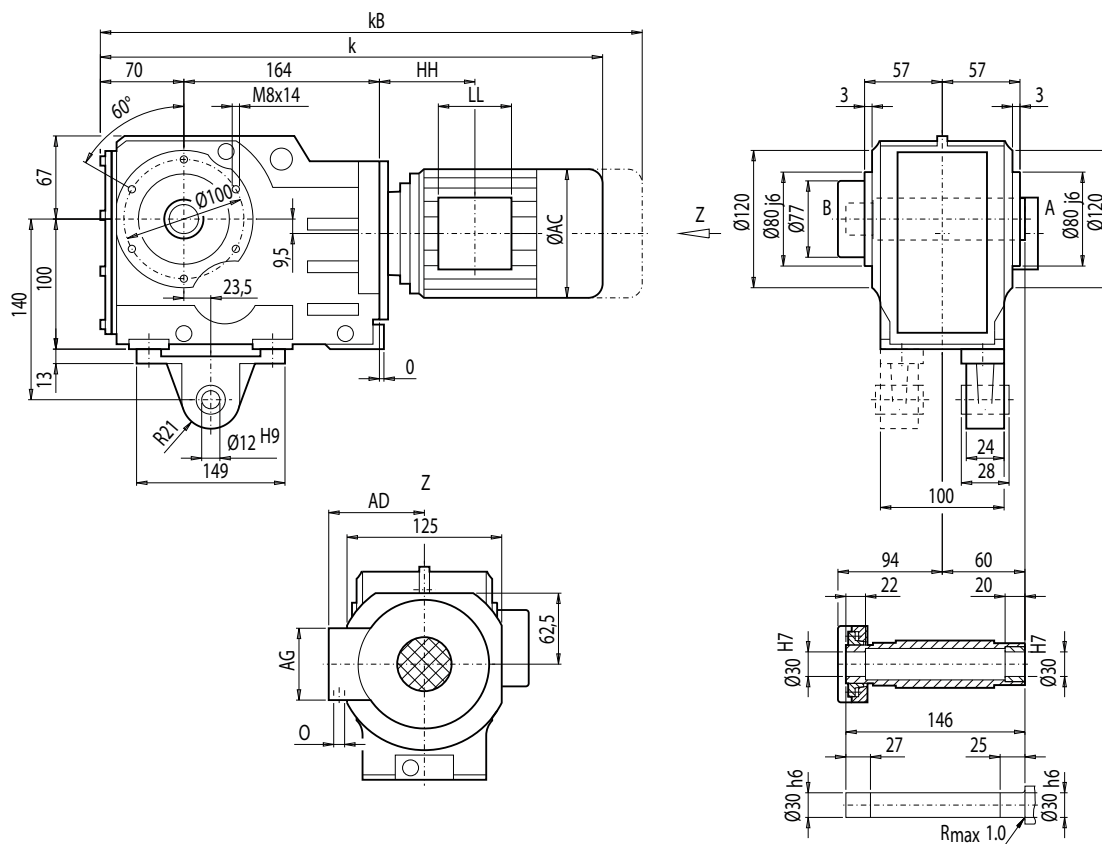
KAS012



Motor	KAS38								Weight
	k	kB	AC	AD	AG	LL	HH	O	KAS38
LA71	485.5	540.5	139.0	146	90	90	114.5	M20x1.5/M25x1.5	19
LA71Z	504.5	559.5	139.0	146	90	90	114.5	M20x1.5/M25x1.5	19
LA80	522.5	586.0	156.5	155	90	90	114.0	M20x1.5/M25x1.5	24
LA80Z	545.0	608.5	156.5	155	90	90	187.0	M20x1.5/M25x1.5	28
LA90S/L	553.5	624.5	174.0	163	90	90	114.0	M20x1.5/M25x1.5	28
LA90ZL	598.5	669.5	174.0	163	90	90	238.0	M20x1.5/M25x1.5	34
LA100L	599.5	680.5	195.0	168	120	120	154.5	2xM32x1.5	38
LA100ZL	669.5	750.5	195.0	168	120	120	286.5	2xM32x1.5	48
LA112M	629.0	710.0	219.0	181	120	120	160.0	2xM32x1.5	48
LA112ZM	657.0	738.0	219.0	181	120	120	264.0	2xM32x1.5	55

Gearbox KADS38 (3-stage), shaft-mounted design with torque arm and shrink disk

KADS012



4

Motor	KADS38								Weight
	k	kB	AC	AD	AG	LL	HH	O	KADS38
LA71	492.5	547.5	139.0	146	90	90	114.5	M20x1.5/M25x1.5	20
LA71Z	511.5	566.5	139.0	146	90	90	114.5	M20x1.5/M25x1.5	20
LA80	529.5	593.0	156.5	155	90	90	114.0	M20x1.5/M25x1.5	24
LA80Z	552.0	615.5	156.5	155	90	90	187.0	M20x1.5/M25x1.5	28
LA90S/L	560.5	631.5	174.0	163	90	90	114.0	M20x1.5/M25x1.5	29
LA90ZL	605.5	676.5	174.0	163	90	90	238.0	M20x1.5/M25x1.5	35
LA100L	606.5	687.5	195.0	168	120	120	154.5	2xM32x1.5	38
LA100ZL	676.5	757.5	195.0	168	120	120	286.5	2xM32x1.5	48
LA112M	636.0	717.0	219.0	181	120	120	160.0	2xM32x1.5	49
LA112ZM	664.0	745.0	219.0	181	120	120	264.0	2xM32x1.5	56

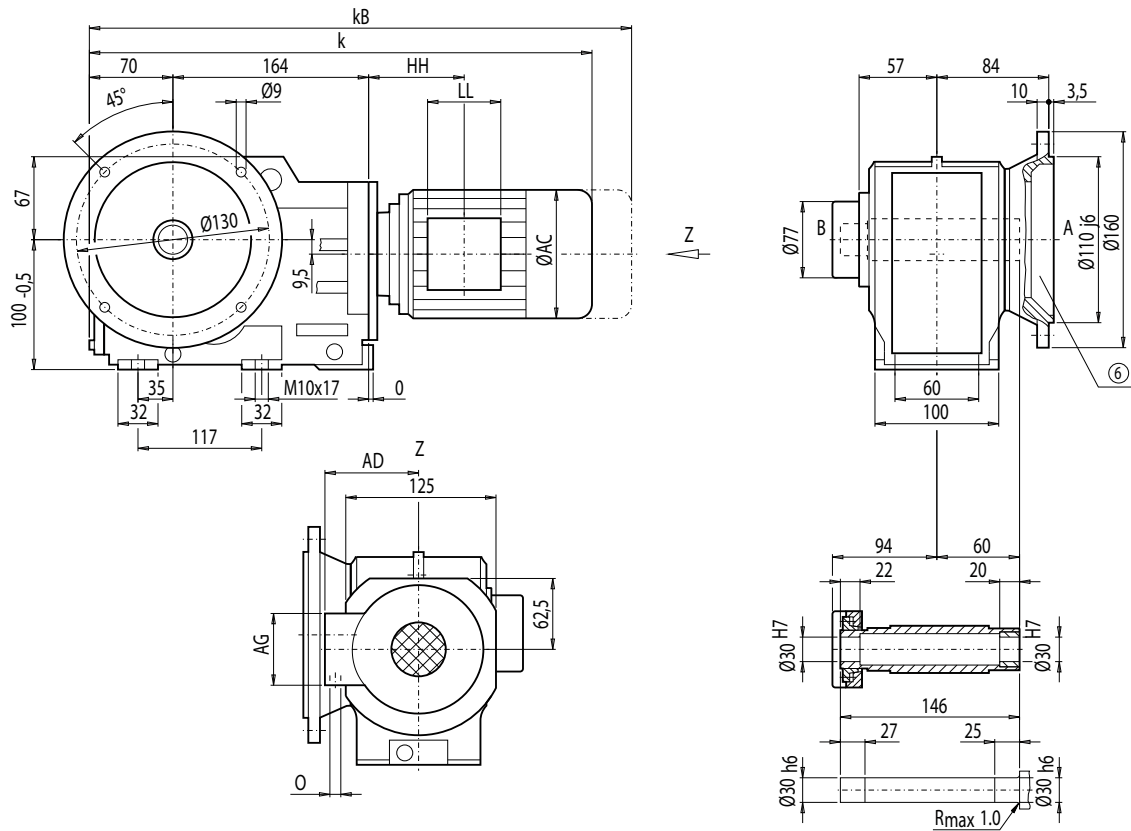
MOTOX Geared Motors

Bevel helical geared motors

Dimensions

Gearbox KAFS38 (3-stage), flange-mounted design and shrink disk

KAFS012

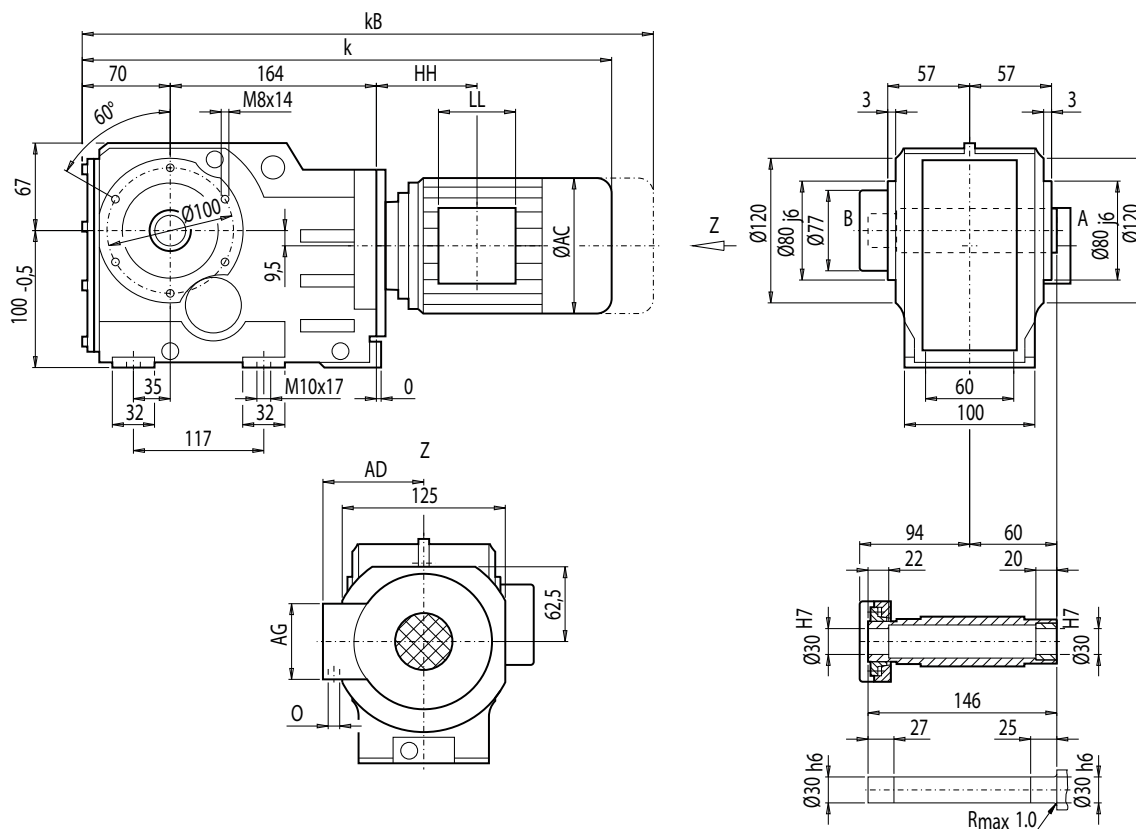


Motor	KAFS38								Weight
	k	kB	AC	AD	AG	LL	HH	O	KAFS38
LA71	492.5	547.5	139.0	146	90	90	114.5	M20x1.5/M25x1.5	20
LA71Z	511.5	566.5	139.0	146	90	90	114.5	M20x1.5/M25x1.5	20
LA80	529.5	593.0	156.5	155	90	90	114.0	M20x1.5/M25x1.5	25
LA80Z	552.0	615.5	156.5	155	90	90	187.0	M20x1.5/M25x1.5	29
LA90S/L	560.5	631.5	174.0	163	90	90	114.0	M20x1.5/M25x1.5	30
LA90ZL	605.5	676.5	174.0	163	90	90	238.0	M20x1.5/M25x1.5	36
LA100L	606.5	687.5	195.0	168	120	120	154.5	2xM32x1.5	39
LA100ZL	676.5	757.5	195.0	168	120	120	286.5	2xM32x1.5	49
LA112M	636.0	717.0	219.0	181	120	120	160.0	2xM32x1.5	49
LA112ZM	664.0	745.0	219.0	181	120	120	264.0	2xM32x1.5	56

© For note, see page 4/217

Gearbox KAZS38 (3-stage), shaft-mounted design with housing flange (C-type) and shrink disk

KAZS012



4

Motor	KAZS38								Weight
	k	k _B	AC	AD	AG	LL	HH	O	KAZS38
LA71	492.5	547.5	139.0	146	90	90	114.5	M20x1.5/M25x1.5	19
LA71Z	511.5	566.5	139.0	146	90	90	114.5	M20x1.5/M25x1.5	19
LA80	529.5	593.0	156.5	155	90	90	114.0	M20x1.5/M25x1.5	24
LA80Z	552.0	615.5	156.5	155	90	90	187.0	M20x1.5/M25x1.5	28
LA90S/L	560.5	631.5	174.0	163	90	90	114.0	M20x1.5/M25x1.5	28
LA90ZL	605.5	676.5	174.0	163	90	90	238.0	M20x1.5/M25x1.5	34
LA100L	606.5	687.5	195.0	168	120	120	154.5	2xM32x1.5	37
LA100ZL	676.5	757.5	195.0	168	120	120	286.5	2xM32x1.5	47
LA112M	636.0	717.0	219.0	181	120	120	160.0	2xM32x1.5	48
LA112ZM	664.0	745.0	219.0	181	120	120	264.0	2xM32x1.5	55

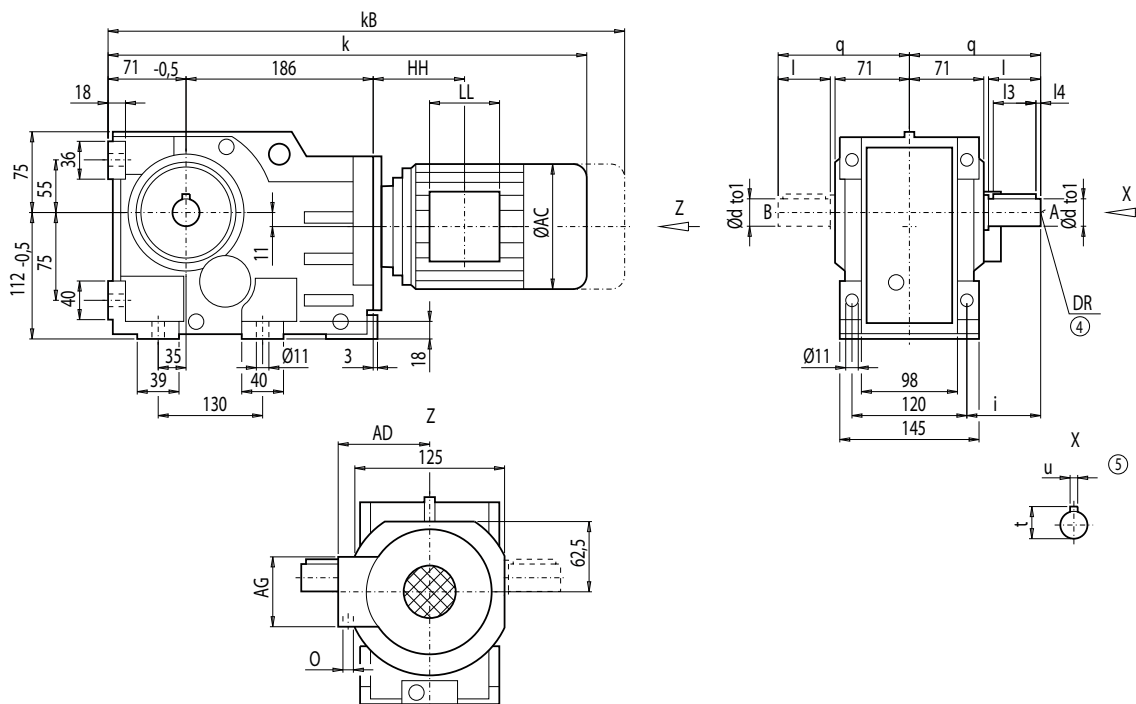
MOTOX Geared Motors

Bevel helical geared motors

Dimensions

Gearbox K48 (3-stage), housing-flange-mounted design (C-type)

K012



d	to1	l	l3	l4	t	u	i	q	DR
30 ^{*)}	k6	60	50	3.5	33	8	75	135	M10x22
40	k6	80	70	5.0	43	12	95	155	M16x36

^{*)} Preferred series

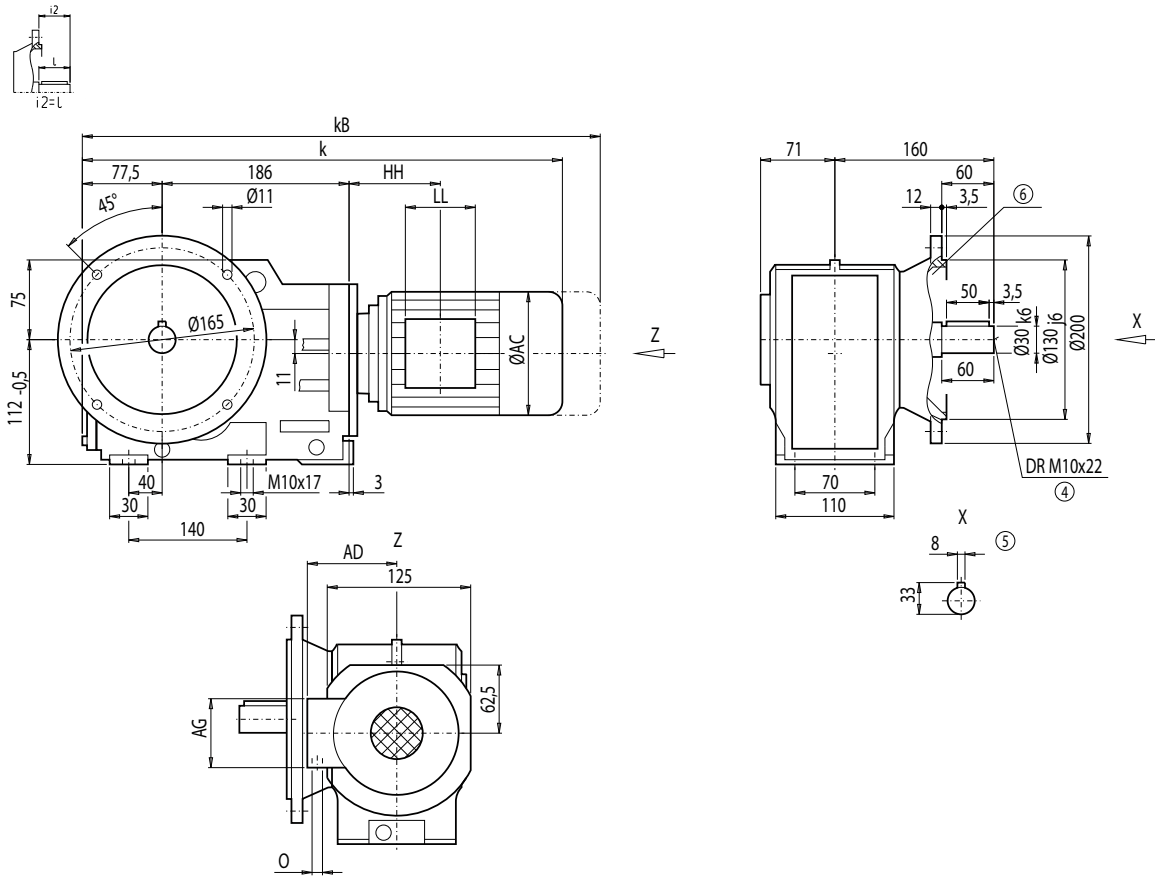
Motor	K48									Weight
	k	kB	AC	AD	AG	LL	HH	O	K48	
LA71	515.5	570.5	139.0	146	90	90	114.5	M20x1.5/M25x1.5	24	
LA71Z	534.5	589.5	139.0	146	90	90	114.5	M20x1.5/M25x1.5	24	
LA80	552.5	616.0	156.5	155	90	90	114.0	M20x1.5/M25x1.5	29	
LA80Z	575.0	638.5	156.5	155	90	90	187.0	M20x1.5/M25x1.5	33	
LA90S/L	583.5	654.5	174.0	163	90	90	114.0	M20x1.5/M25x1.5	34	
LA90ZL	628.5	669.5	174.0	163	90	90	238.0	M20x1.5/M25x1.5	40	
LA100L	629.5	710.5	195.0	168	120	120	154.5	2xM32x1.5	43	
LA100ZL	699.5	780.5	195.0	168	120	120	286.5	2xM32x1.5	53	
LA112M	659.0	740.0	219.0	181	120	120	160.0	2xM32x1.5	53	
LA112ZM	687.0	768.0	219.0	181	120	120	264.0	2xM32x1.5	70	

Ⓒ DIN 332

Ⓔ Feather key / keyway DIN 6885

Gearbox KF48 (3-stage), flange-mounted design (A-type)

KF012



4

Motor	KF48								Weight
	k	kB	AC	AD	AG	LL	HH	O	KF48
LA71	522.0	577.0	139.0	146	90	90	114.5	M20x1.5/M25x1.5	26
LA71Z	541.0	596.0	139.0	146	90	90	114.5	M20x1.5/M25x1.5	26
LA80	559.0	622.5	156.5	155	90	90	114.0	M20x1.5/M25x1.5	31
LA80Z	581.5	645.0	156.5	155	90	90	187.0	M20x1.5/M25x1.5	31
LA90S/L	590.0	661.0	174.0	163	90	90	114.0	M20x1.5/M25x1.5	36
LA90ZL	635.0	706.0	174.0	163	90	90	238.0	M20x1.5/M25x1.5	36
LA100L	636.0	717.0	195.0	168	120	120	154.5	2xM32x1.5	45
LA100ZL	706.0	787.0	195.0	168	120	120	286.5	2xM32x1.5	45
LA112M	665.5	746.5	219.0	181	120	120	160.0	2xM32x1.5	56
LA112ZM	693.5	774.5	219.0	181	120	120	264.0	2xM32x1.5	56

④ DIN 332

⑤ Feather key / keyway DIN 6885

⑥ For note, see page 4/217

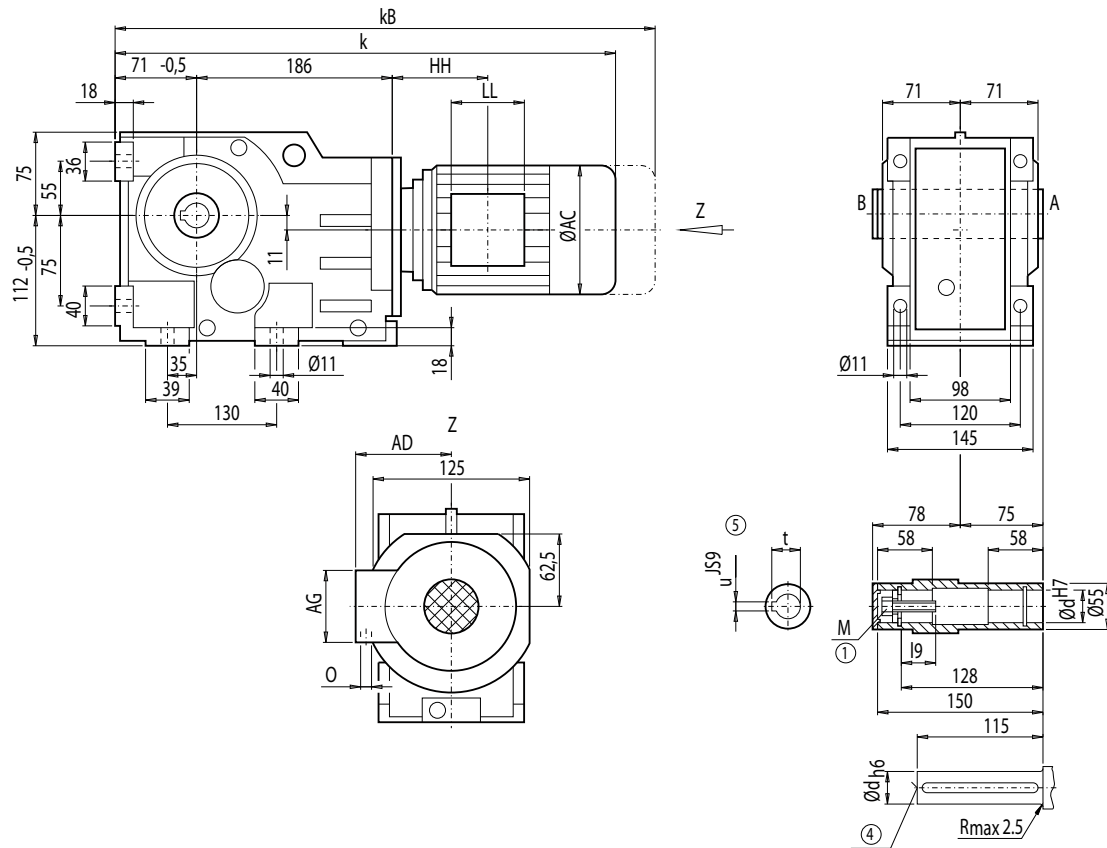
MOTOX Geared Motors

Bevel helical geared motors

Dimensions

Gearbox KA48 (3-stage), housing-flange-mounted design (C-type)

KA012



d	I9	M	t	u
35 ^{*)}	40	M12	38.3	10
40	48	M16	43.3	12

*) Preferred series

Motor	KA48								Weight
	k	kB	AC	AD	AG	LL	HH	O	KA48
LA71	515.5	570.5	139.0	146	90	90	114.5	M20x1.5/M25x1.5	23
LA71Z	534.5	589.5	139.0	146	90	90	114.5	M20x1.5/M25x1.5	23
LA80	552.5	616.0	156.5	155	90	90	114.0	M20x1.5/M25x1.5	28
LA80Z	575.0	638.5	156.5	155	90	90	187.0	M20x1.5/M25x1.5	32
LA90S/L	583.5	654.5	174.0	163	90	90	114.0	M20x1.5/M25x1.5	32
LA90ZL	628.5	669.5	174.0	163	90	90	238.0	M20x1.5/M25x1.5	38
LA100L	629.5	710.5	195.0	168	120	120	154.5	2xM32x1.5	41
LA100ZL	699.5	780.5	195.0	168	120	120	286.5	2xM32x1.5	51
LA112M	659.0	740.0	219.0	181	120	120	160.0	2xM32x1.5	52
LA112ZM	687.0	768.0	219.0	181	120	120	264.0	2xM32x1.5	59

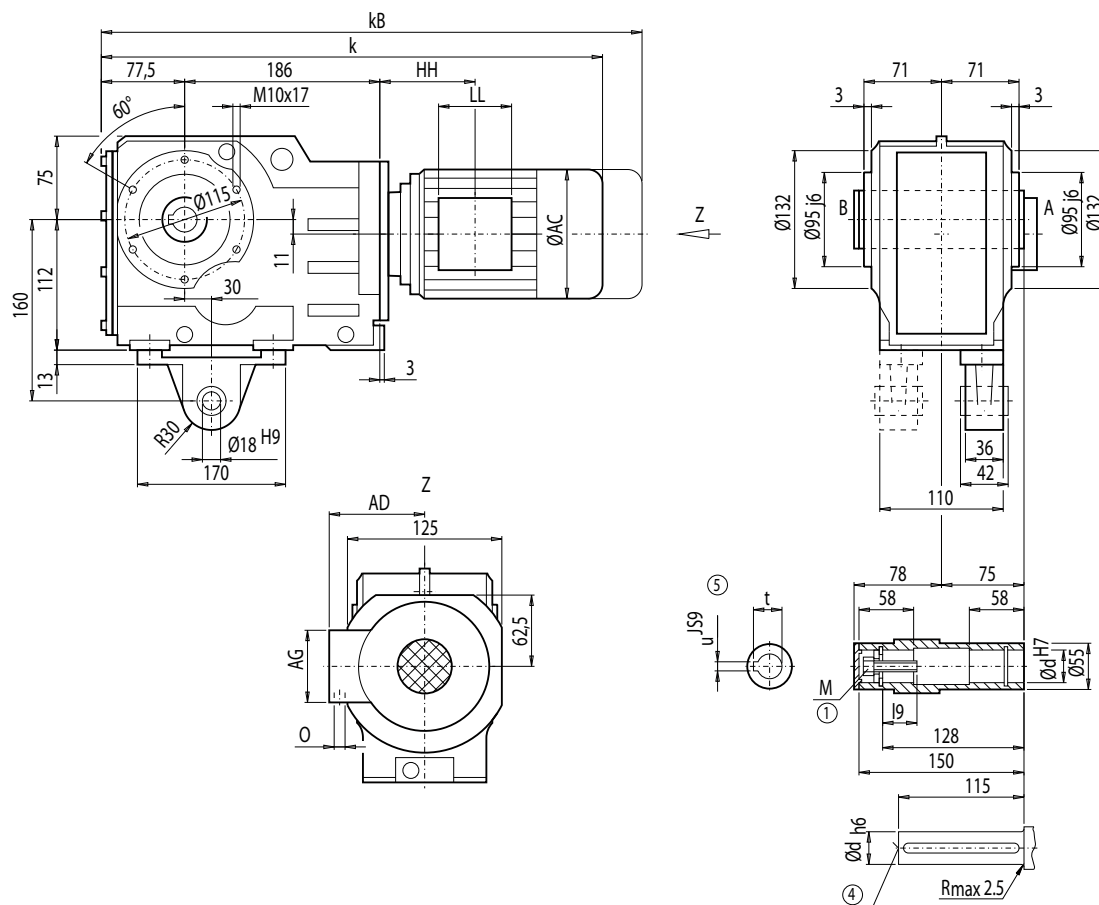
④ DIN 332

⑤ Feather key / keyway DIN 6885

① DIN 6912

Gearbox KAD48 (3-stage), shaft-mounted design with torque arm

KAD012



d	I9	M	t	u
35 ^{*)}	40	M12	38.3	10
40	48	M16	43.3	12

*) Preferred series

Motor	KAD48								Weight KAD48
	k	kB	AC	AD	AG	LL	HH	O	
LA71	522.0	577.0	139.0	146	90	90	114.5	M20x1.5/M25x1.5	24
LA71Z	541.0	596.0	139.0	146	90	90	114.5	M20x1.5/M25x1.5	24
LA80	559.0	622.5	156.5	155	90	90	114.0	M20x1.5/M25x1.5	29
LA80Z	581.5	645.0	156.5	155	90	90	187.0	M20x1.5/M25x1.5	33
LA90S/L	590.0	661.0	174.0	163	90	90	114.0	M20x1.5/M25x1.5	33
LA90ZL	635.0	706.0	174.0	163	90	90	238.0	M20x1.5/M25x1.5	39
LA100L	636.0	717.0	195.0	168	120	120	154.5	2xM32x1.5	42
LA100ZL	706.0	787.0	195.0	168	120	120	286.5	2xM32x1.5	52
LA112M	665.5	746.5	219.0	181	120	120	160.0	2xM32x1.5	53
LA112ZM	693.5	774.5	219.0	181	120	120	264.0	2xM32x1.5	60

④ DIN 332

⑤ Feather key / keyway DIN 6885

① DIN 6912

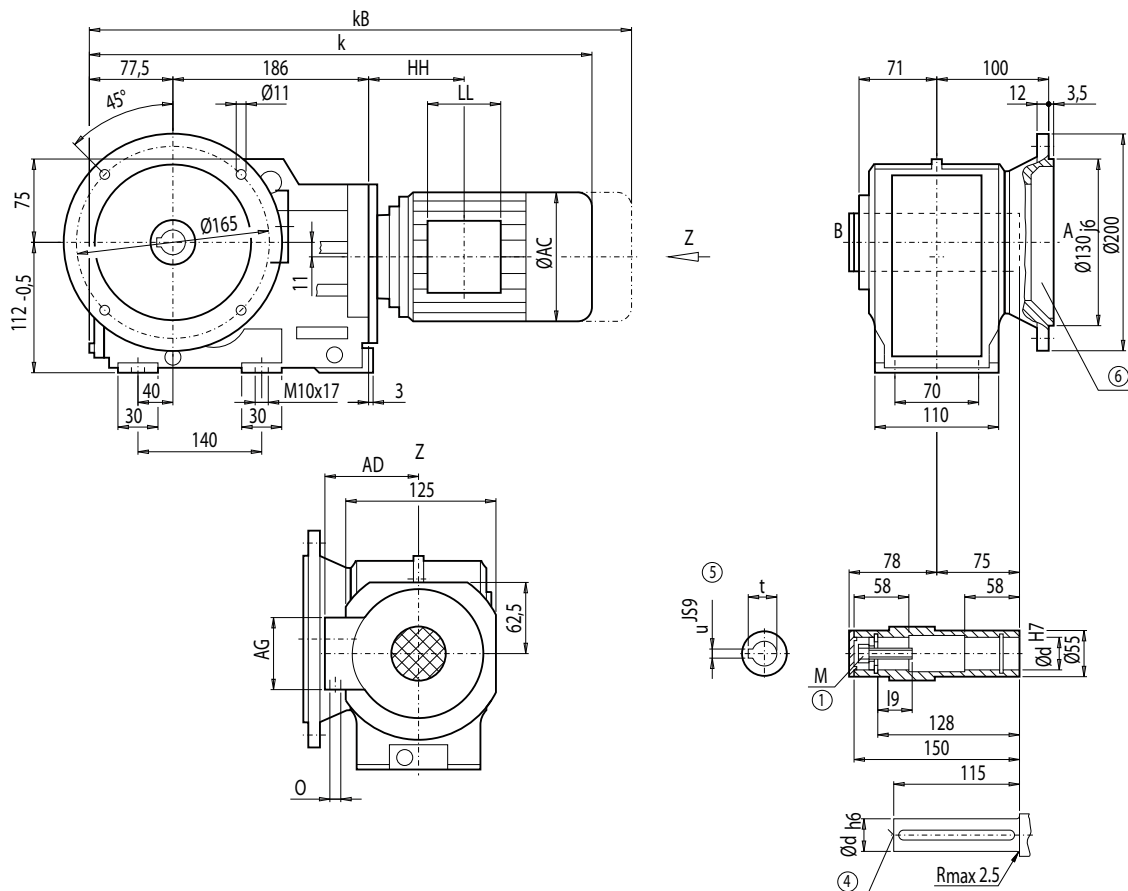
MOTOX Geared Motors

Bevel helical geared motors

Dimensions

Gearbox KAF48 (3-stage), flange-mounted design

KAF012



d	I9	M	t	u
35 ^{*)}	40	M12	38.3	10
40	48	M16	43.3	12

^{*)} Preferred series

Motor	KAF48								Weight
	k	kB	AC	AD	AG	LL	HH	O	KAF48
LA71	522.0	577.0	139.0	146	90	90	114.5	M20x1.5/M25x1.5	25
LA71Z	541.0	596.0	139.0	146	90	90	114.5	M20x1.5/M25x1.5	25
LA80	559.0	622.5	156.5	155	90	90	114.0	M20x1.5/M25x1.5	30
LA80Z	581.5	645.0	156.5	155	90	90	187.0	M20x1.5/M25x1.5	34
LA90S/L	590.0	661.0	174.0	163	90	90	114.0	M20x1.5/M25x1.5	34
LA90ZL	635.0	706.0	174.0	163	90	90	238.0	M20x1.5/M25x1.5	40
LA100L	636.0	717.0	195.0	168	120	120	154.5	2xM32x1.5	44
LA100ZL	706.0	787.0	195.0	168	120	120	286.5	2xM32x1.5	54
LA112M	665.5	746.5	219.0	181	120	120	160.0	2xM32x1.5	54
LA112ZM	693.5	774.5	219.0	181	120	120	264.0	2xM32x1.5	61

④ DIN 332

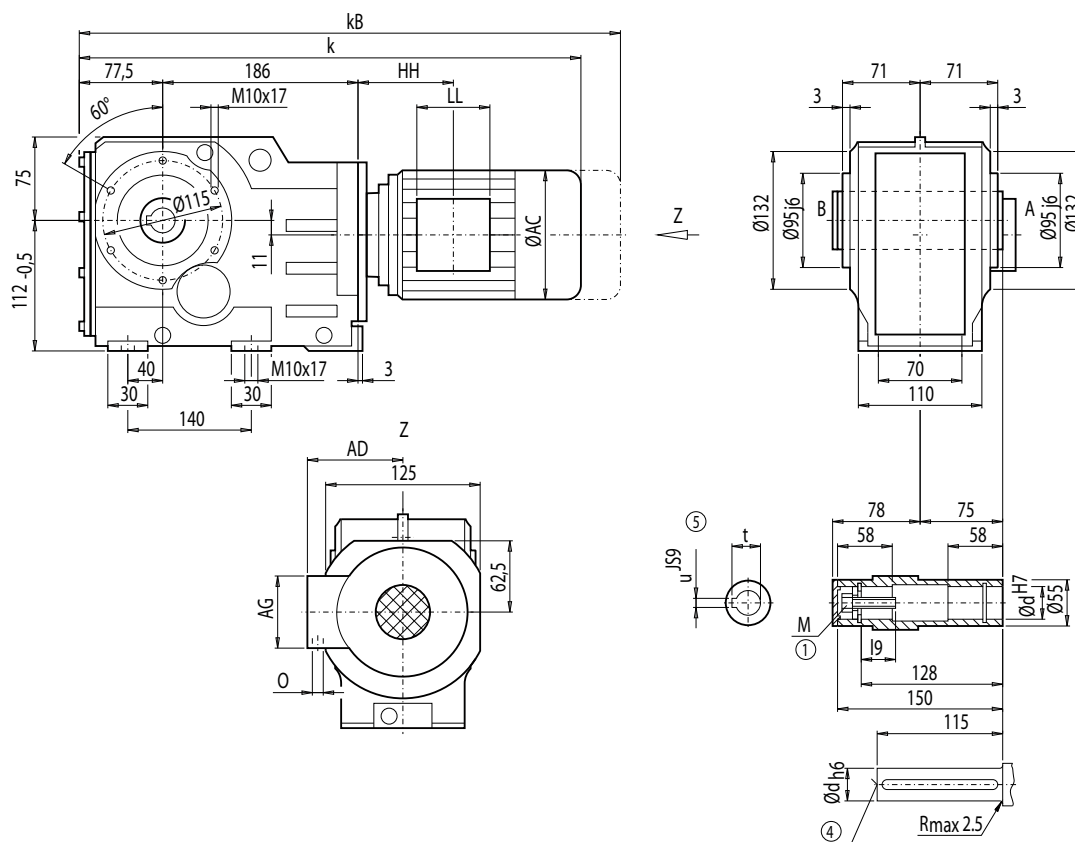
⑤ Feather key / keyway DIN 6885

① DIN 6912

⑥ For note, see page 4/217

Gearbox KAZ48 (3-stage), shaft-mounted design with housing flange (C-type)

KAZ012



d	I9	M	t	u
35 ^{*)}	40	M12	38.3	10
40	48	M16	43.3	12

*) Preferred series

Motor	KAZ48								Weight
	k	kB	AC	AD	AG	LL	HH	O	KAZ48
LA71	522.0	577.0	139.0	146	90	90	114.5	M20x1.5/M25x1.5	22
LA71Z	541.0	596.0	139.0	146	90	90	114.5	M20x1.5/M25x1.5	22
LA80	559.0	622.5	156.5	155	90	90	114.0	M20x1.5/M25x1.5	27
LA80Z	581.5	645.0	156.5	155	90	90	187.0	M20x1.5/M25x1.5	31
LA90S/L	590.0	661.0	174.0	163	90	90	114.0	M20x1.5/M25x1.5	32
LA90ZL	635.0	706.0	174.0	163	90	90	238.0	M20x1.5/M25x1.5	38
LA100L	636.0	717.0	195.0	168	120	120	154.5	2xM32x1.5	41
LA100ZL	706.0	787.0	195.0	168	120	120	286.5	2xM32x1.5	51
LA112M	665.5	746.5	219.0	181	120	120	160.0	2xM32x1.5	52
LA112ZM	693.5	774.5	219.0	181	120	120	264.0	2xM32x1.5	59

④ DIN 332

⑤ Feather key / keyway DIN 6885

① DIN 6912

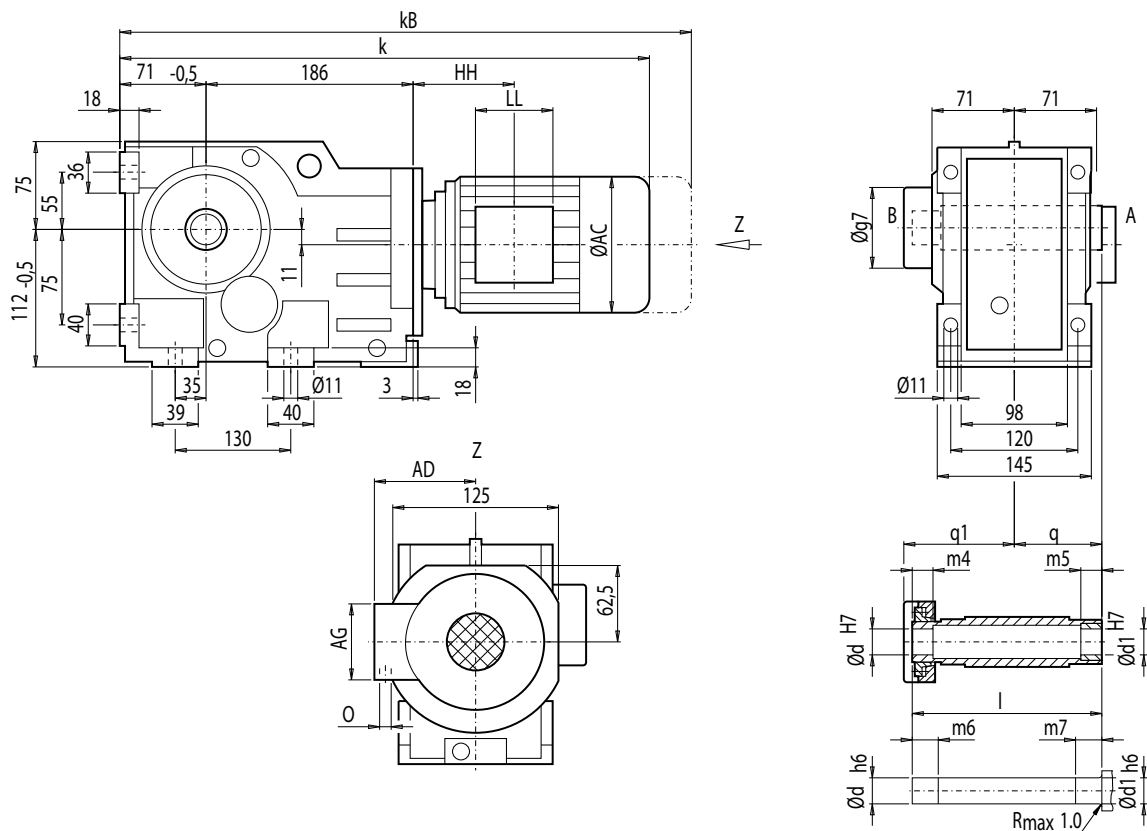
MOTOX Geared Motors

Bevel helical geared motors

Dimensions

Gearbox KAS48 (3-stage), shaft-mounted design with shrink disk

KAS012



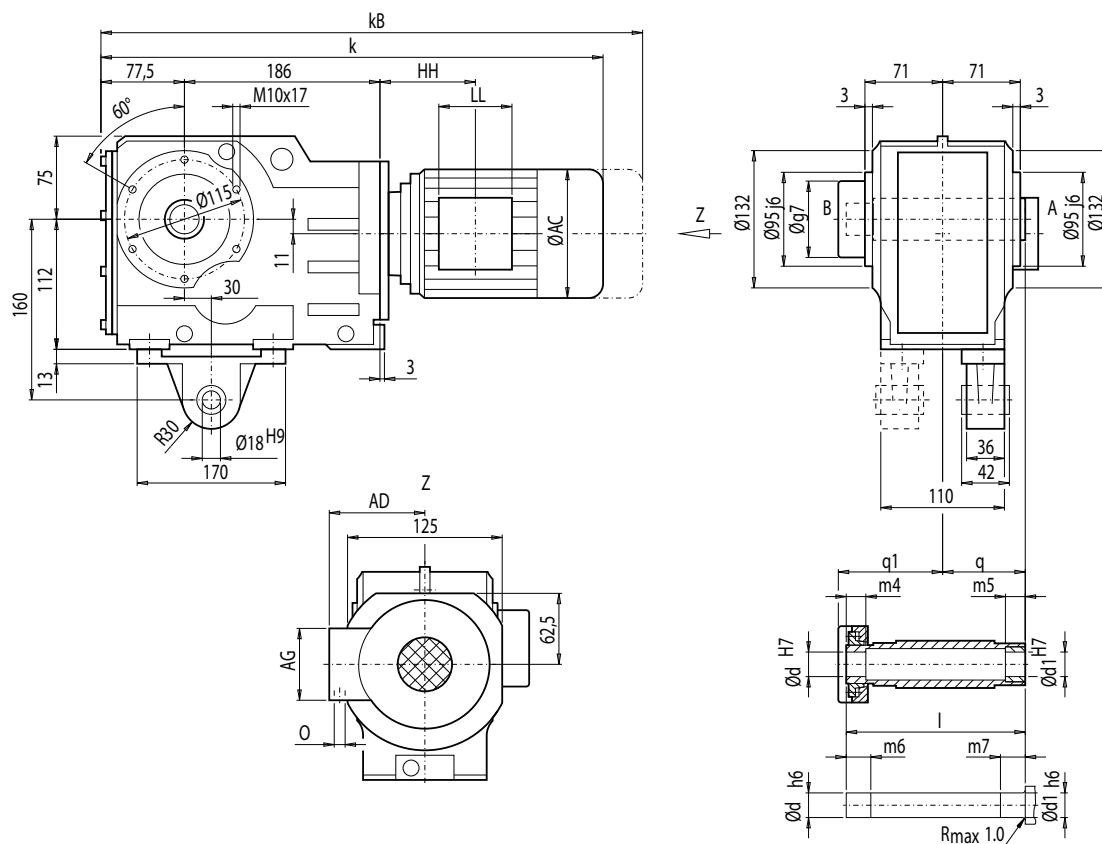
d	d1	l	m4	m5	m6	m7	q1	q	g7
35 ^{*)}	35	177	32	20	37	25	109	75	93
40	40	177	25	20	30	25	109	75	93

^{*)} Preferred series

Motor	KAS48									Weight KAS48
	k	kB	AC	AD	AG	LL	HH	O		
LA71	515.5	570.5	139.0	146	90	90	114.5	M20x1.5/M25x1.5	23	
LA71Z	534.5	589.5	139.0	146	90	90	114.5	M20x1.5/M25x1.5	23	
LA80	552.5	616.0	156.5	155	90	90	114.0	M20x1.5/M25x1.5	28	
LA80Z	575.0	638.5	156.5	155	90	90	187.0	M20x1.5/M25x1.5	32	
LA90S/L	583.5	654.5	174.0	163	90	90	114.0	M20x1.5/M25x1.5	33	
LA90ZL	628.5	669.5	174.0	163	90	90	238.0	M20x1.5/M25x1.5	39	
LA100L	629.5	710.5	195.0	168	120	120	154.5	2xM32x1.5	42	
LA100ZL	699.5	780.5	195.0	168	120	120	286.5	2xM32x1.5	52	
LA112M	659.0	740.0	219.0	181	120	120	160.0	2xM32x1.5	53	
LA112ZM	687.0	768.0	219.0	181	120	120	264.0	2xM32x1.5	60	

Gearbox KADS48 (3-stage), shaft-mounted design with torque arm and shrink disk

KADS012



d	d1	l	m4	m5	m6	m7	q1	q	g7
35 ^{*)}	35	177	32	20	37	25	109	75	93
40	40	177	25	20	30	25	109	75	93

*) Preferred series

Motor	KADS48									Weight KADS48
	k	k _B	AC	AD	AG	LL	HH	O		
LA71	522.0	577.0	139.0	146	90	90	114.5	M20x1.5/M25x1.5	24	
LA71Z	541.0	596.0	139.0	146	90	90	114.5	M20x1.5/M25x1.5	24	
LA80	559.0	622.5	156.5	155	90	90	114.0	M20x1.5/M25x1.5	29	
LA80Z	581.5	645.0	156.5	155	90	90	187.0	M20x1.5/M25x1.5	33	
LA90S/L	590.0	661.0	174.0	163	90	90	114.0	M20x1.5/M25x1.5	34	
LA90ZL	635.0	706.0	174.0	163	90	90	238.0	M20x1.5/M25x1.5	40	
LA100L	636.0	717.0	195.0	168	120	120	154.5	2xM32x1.5	43	
LA100ZL	706.0	787.0	195.0	168	120	120	286.5	2xM32x1.5	53	
LA112M	665.5	746.5	219.0	181	120	120	160.0	2xM32x1.5	54	
LA112ZM	693.5	774.5	219.0	181	120	120	264.0	2xM32x1.5	61	

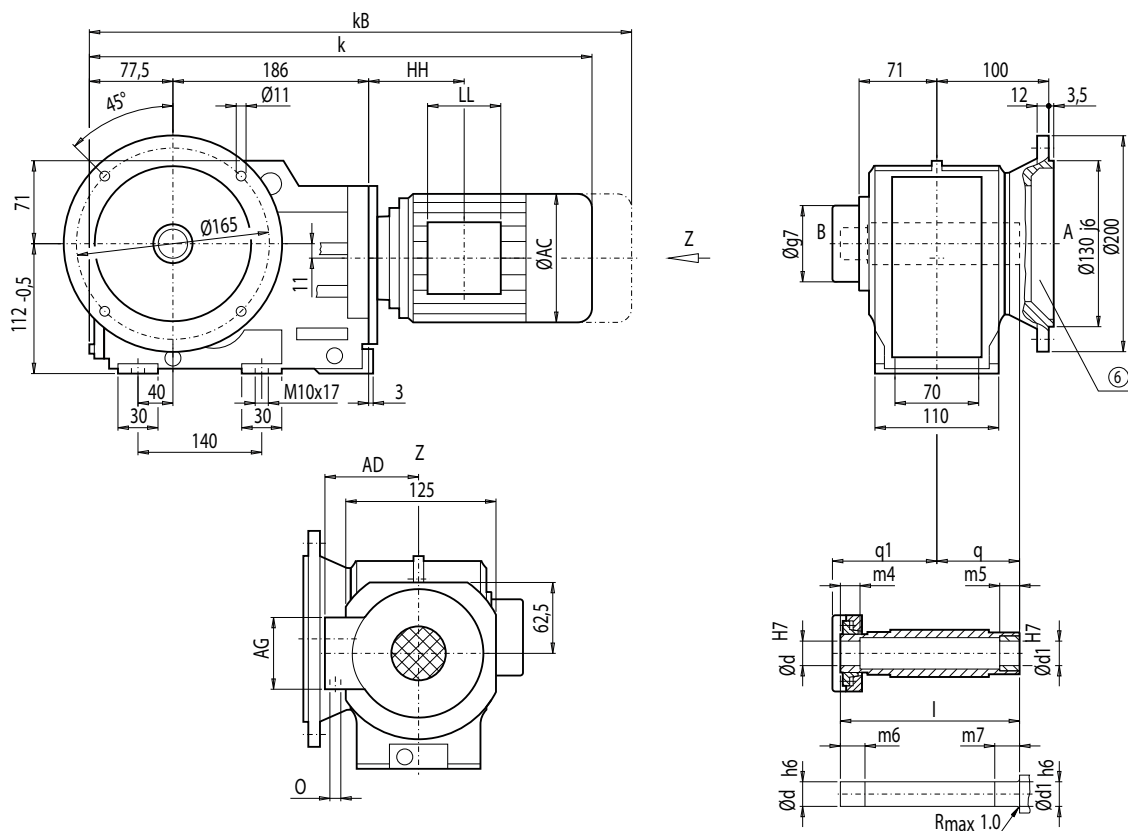
MOTOX Geared Motors

Bevel helical geared motors

Dimensions

Gearbox KAFS48 (3-stage), flange-mounted design and shrink disk

KAFS012



d	d1	l	m4	m5	m6	m7	q1	q	g7
35 ^{*)}	35	177	32	20	37	25	109	75	93
40	40	177	25	20	30	25	109	75	93

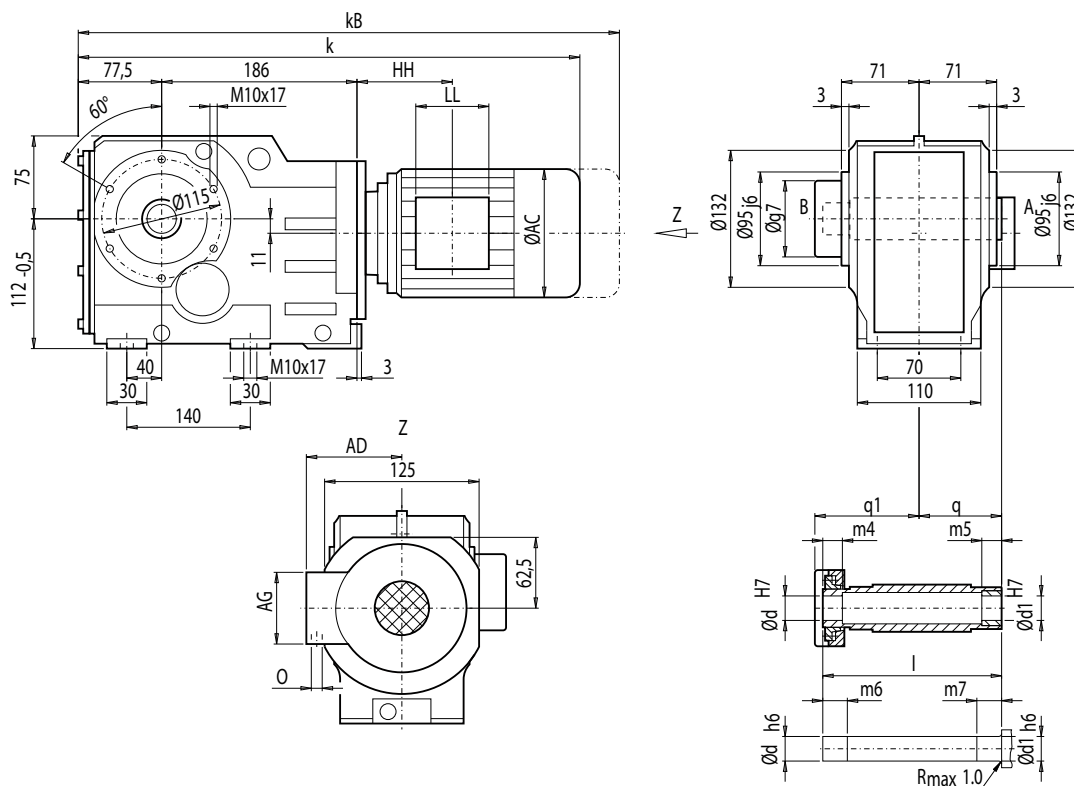
^{*)} Preferred series

Motor	KAFS48									Weight KAFS48
	k	kB	AC	AD	AG	LL	HH	O		
LA71	522.0	577.0	139.0	146	90	90	114.5	M20x1.5/M25x1.5		26
LA71Z	541.0	596.0	139.0	146	90	90	114.5	M20x1.5/M25x1.5		26
LA80	559.0	622.5	156.5	155	90	90	114.0	M20x1.5/M25x1.5		31
LA80Z	581.5	645.0	156.5	155	90	90	187.0	M20x1.5/M25x1.5		35
LA90S/L	590.0	661.0	174.0	163	90	90	114.0	M20x1.5/M25x1.5		35
LA90ZL	635.0	706.0	174.0	163	90	90	238.0	M20x1.5/M25x1.5		41
LA100L	636.0	717.0	195.0	168	120	120	154.5	2xM32x1.5		44
LA100ZL	706.0	787.0	195.0	168	120	120	286.5	2xM32x1.5		54
LA112M	665.5	746.5	219.0	181	120	120	160.0	2xM32x1.5		55
LA112ZM	693.5	774.5	219.0	181	120	120	264.0	2xM32x1.5		65

© For note, see page 4/217

Gearbox KAZS48 (3-stage), shaft-mounted design with housing flange (C-type) and shrink disk

KAZS012



d	d1	l	m4	m5	m6	m7	q1	q	g7
35 ^{*)}	35	177	32	20	37	25	109	75	93
40	40	177	25	20	30	25	109	75	93

*) Preferred series

Motor	KAZS48									Weight KAZS48
	k	kB	AC	AD	AG	LL	HH	O		
LA71	522.0	577.0	139.0	146	90	90	114.5	M20x1.5/M25x1.5		23
LA71Z	541.0	596.0	139.0	146	90	90	114.5	M20x1.5/M25x1.5		23
LA80	559.0	622.5	156.5	155	90	90	114.0	M20x1.5/M25x1.5		28
LA80Z	581.5	645.0	156.5	155	90	90	187.0	M20x1.5/M25x1.5		32
LA90S/L	590.0	661.0	174.0	163	90	90	114.0	M20x1.5/M25x1.5		33
LA90ZL	635.0	706.0	174.0	163	90	90	238.0	M20x1.5/M25x1.5		39
LA100L	636.0	717.0	195.0	168	120	120	154.5	2xM32x1.5		42
LA100ZL	706.0	787.0	195.0	168	120	120	286.5	2xM32x1.5		52
LA112M	665.5	746.5	219.0	181	120	120	160.0	2xM32x1.5		52
LA112ZM	693.5	774.5	219.0	181	120	120	264.0	2xM32x1.5		59

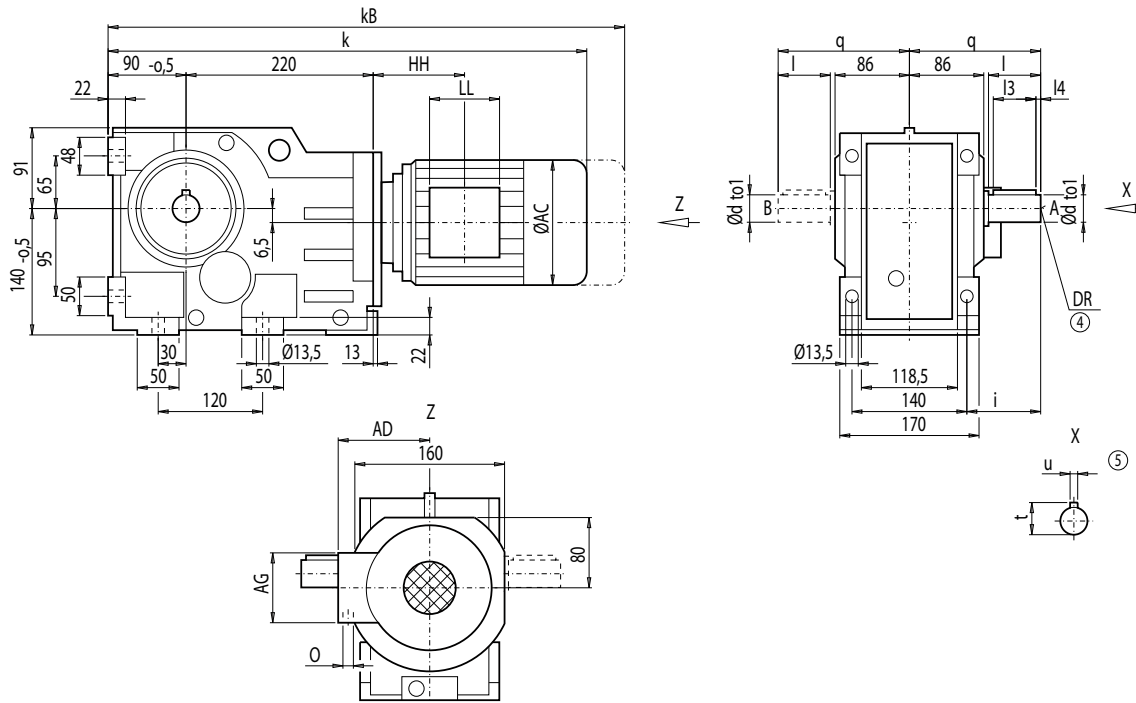
MOTOX Geared Motors

Bevel helical geared motors

Dimensions

Gearbox K68 (3-stage), housing-flange-mounted design (C-type)

K012



d	to1	l	l3	l4	t	u	i	q	DR
35	k6	70	56	5	38.0	10	90	160	M12x28
40 ^{*)}	k6	80	70	5	43.0	12	100	170	M16x36
50	k6	100	80	10	53.5	14	120	190	M16x36

*) Preferred series

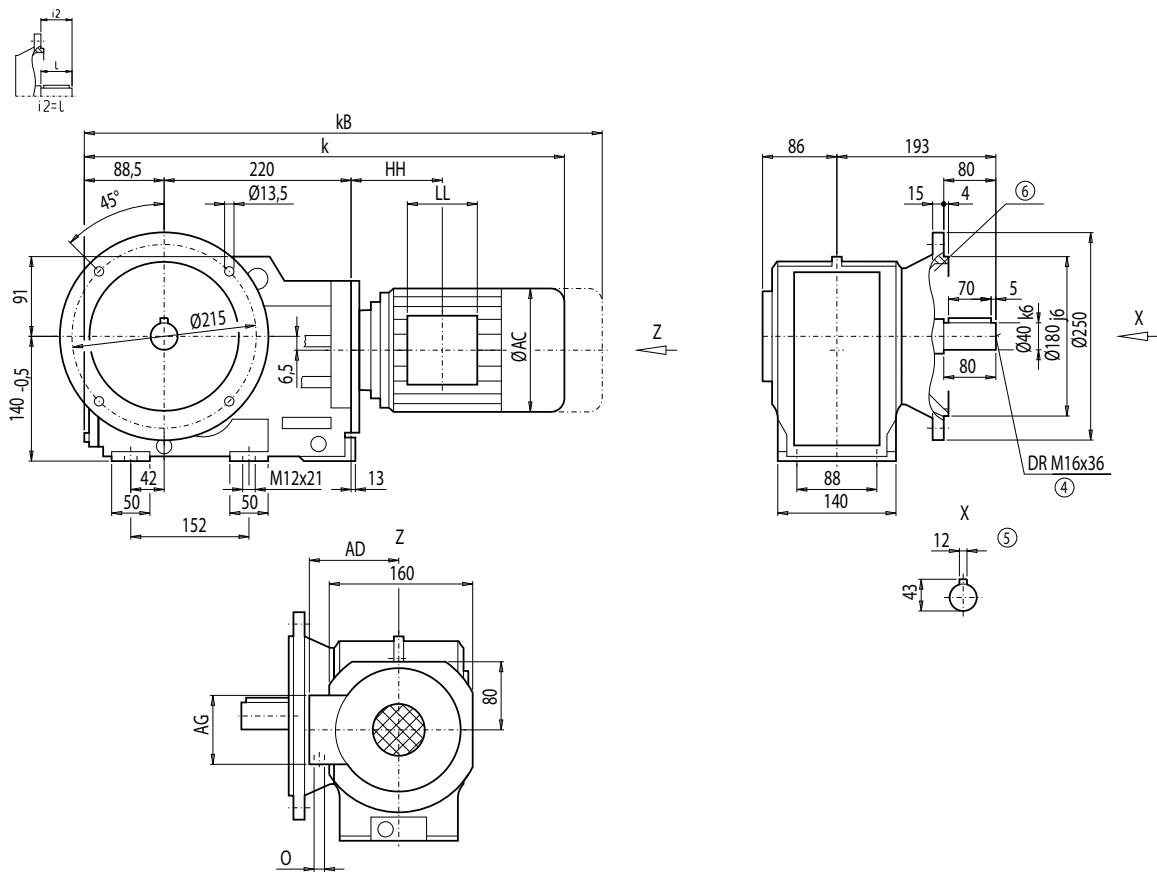
Motor	K68									Weight
	k	kB	AC	AD	AG	LL	HH	O	K68	
LA71	563.0	618.0	139.0	146	90	90	109.0	M20x1.5/M25x1.5	44	
LA71Z	582.0	637.0	139.0	146	90	90	109.0	M20x1.5/M25x1.5	44	
LA80	600.0	663.5	156.5	155	90	90	108.5	M20x1.5/M25x1.5	49	
LA80Z	622.5	686.0	156.5	155	90	90	181.5	M20x1.5/M25x1.5	53	
LA90S/L	631.0	702.0	174.0	163	90	90	108.5	M20x1.5/M25x1.5	53	
LA90ZL	676.0	747.0	174.0	163	90	90	232.5	M20x1.5/M25x1.5	59	
LA100L	677.0	758.0	195.0	168	120	120	149.0	2xM32x1.5	62	
LA100ZL	747.0	828.0	195.0	168	120	120	281.0	2xM32x1.5	72	
LA112M	706.0	787.0	219.0	181	120	120	154.0	2xM32x1.5	74	
LA112ZM	734.0	815.0	219.0	181	120	120	258.0	2xM32x1.5	81	
LA132S/M	768.0	870.0	259.0	195	140	140	196.5	2xM32x1.5	84	
LA132ZM	814.0	916.0	259.0	195	140	140	304.5	2xM32x1.5	105	

ⓐ DIN 332

Ⓢ Feather key / keyway DIN 6885

Gearbox KF68 (3-stage), flange-mounted design (A-type)

KF012



Motor	KF68								Weight
	k	kB	AC	AD	AG	LL	HH	O	KF68
LA71	561.5	616.5	139.0	146	90	90	109.0	M20x1.5/M25x1.5	49
LA71Z	580.5	635.5	139.0	146	90	90	109.0	M20x1.5/M25x1.5	49
LA80	598.5	662.0	156.5	155	90	90	108.5	M20x1.5/M25x1.5	54
LA80Z	621.0	684.5	156.5	155	90	90	181.5	M20x1.5/M25x1.5	58
LA90S/L	629.5	700.5	174.0	163	90	90	108.5	M20x1.5/M25x1.5	58
LA90ZL	674.5	745.5	174.0	163	90	90	232.5	M20x1.5/M25x1.5	64
LA100L	675.5	756.5	195.0	168	120	120	149.0	2xM32x1.5	67
LA100ZL	745.5	826.5	195.0	168	120	120	281.0	2xM32x1.5	77
LA112M	704.5	785.5	219.0	181	120	120	154.0	2xM32x1.5	79
LA112ZM	732.5	813.5	219.0	181	120	120	258.0	2xM32x1.5	86
LA132S/M	766.5	868.5	259.0	195	140	140	196.5	2xM32x1.5	89
LA132ZM	812.5	914.5	259.0	195	140	140	304.5	2xM32x1.5	110

④ DIN 332

⑤ Feather key / keyway DIN 6885

⑥ For note, see page 4/217

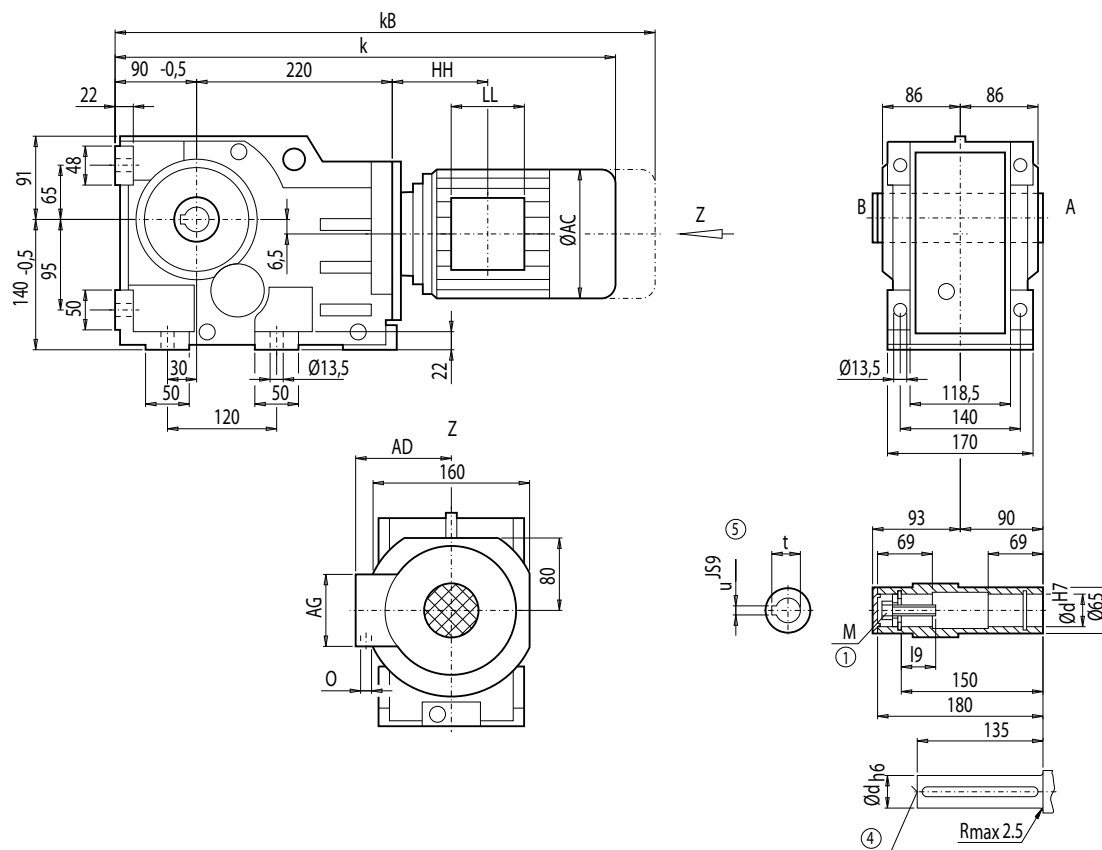
MOTOX Geared Motors

Bevel helical geared motors

Dimensions

Gearbox KA68 (3-stage), housing-flange-mounted design (C-type)

KA012



d	l9	M	t	u
40 ^{*)}	48	M16	43.3	12
45	47	M16	48.8	14

*) Preferred series

Motor	KA68								Weight KA68
	k	kB	AC	AD	AG	LL	HH	O	
LA71	563.0	618.0	139.0	146	90	90	109.0	M20x1.5/M25x1.5	40
LA71Z	582.0	637.0	139.0	146	90	90	109.0	M20x1.5/M25x1.5	40
LA80	600.0	663.5	156.5	155	90	90	108.5	M20x1.5/M25x1.5	45
LA80Z	622.5	686.0	156.5	155	90	90	181.5	M20x1.5/M25x1.5	49
LA90S/L	631.0	702.0	174.0	163	90	90	108.5	M20x1.5/M25x1.5	50
LA90ZL	676.0	747.0	174.0	163	90	90	232.5	M20x1.5/M25x1.5	56
LA100L	677.0	758.0	195.0	168	120	120	149.0	2xM32x1.5	59
LA100ZL	747.0	828.0	195.0	168	120	120	281.0	2xM32x1.5	69
LA112M	706.0	787.0	219.0	181	120	120	154.0	2xM32x1.5	70
LA112ZM	734.0	815.0	219.0	181	120	120	258.0	2xM32x1.5	77
LA132S/M	768.0	870.0	259.0	195	140	140	196.5	2xM32x1.5	80
LA132ZM	814.0	916.0	259.0	195	140	140	304.5	2xM32x1.5	102

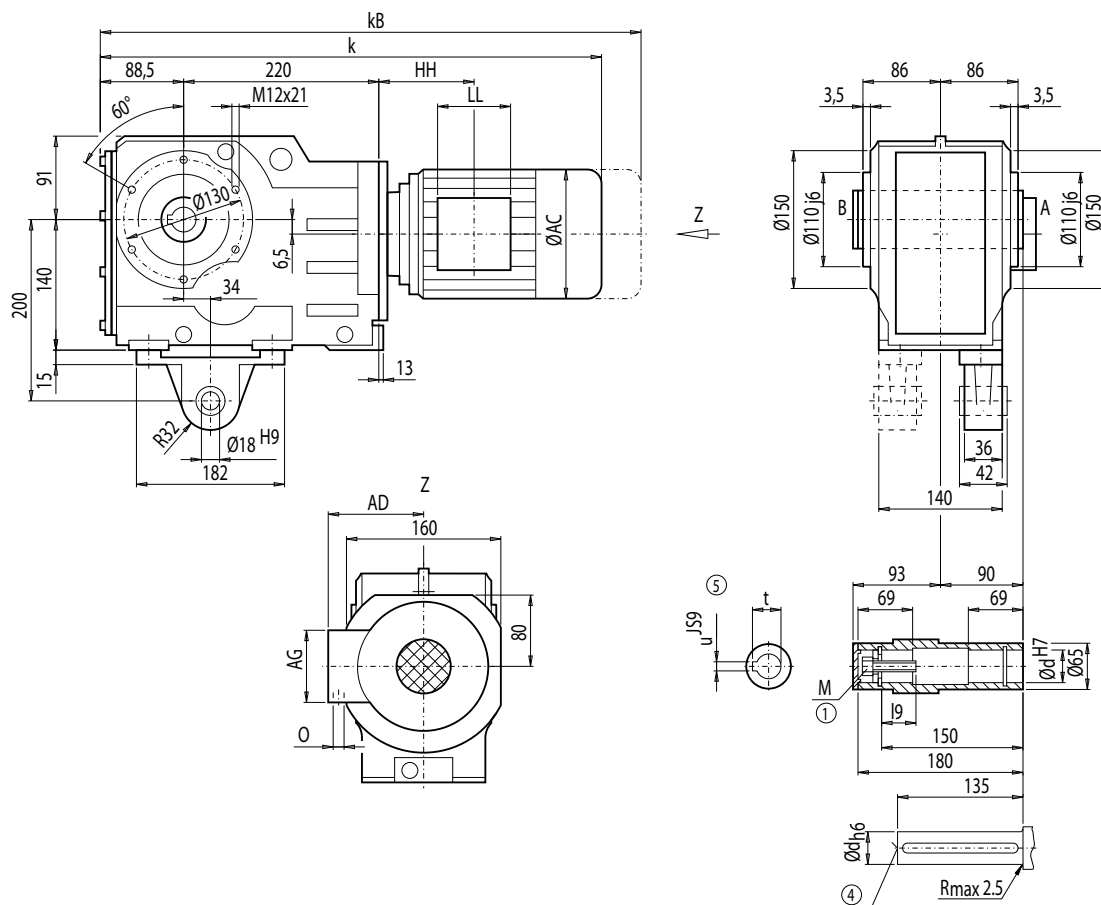
④ DIN 332

Ⓢ Feather key / keyway DIN 6885

① DIN 6912

Gearbox KAD68 (3-stage), shaft-mounted design with torque arm

KAD012



d	I9	M	t	u
40 *)	48	M16	43.3	12
45	47	M16	48.8	14

*) Preferred series

Motor	KAD68								Weight KAD68
	k	kB	AC	AD	AG	LL	HH	O	
LA71	561.5	616.5	139.0	146	90	90	109.0	M20x1.5/M25x1.5	42
LA71Z	580.5	635.5	139.0	146	90	90	109.0	M20x1.5/M25x1.5	42
LA80	598.5	662.0	156.5	155	90	90	108.5	M20x1.5/M25x1.5	47
LA80Z	621.0	684.5	156.5	155	90	90	181.5	M20x1.5/M25x1.5	51
LA90S/L	629.5	700.5	174.0	163	90	90	108.5	M20x1.5/M25x1.5	52
LA90ZL	674.5	745.5	174.0	163	90	90	232.5	M20x1.5/M25x1.5	58
LA100L	675.5	756.5	195.0	168	120	120	149.0	2xM32x1.5	61
LA100ZL	745.5	826.5	195.0	168	120	120	281.0	2xM32x1.5	71
LA112M	704.5	785.5	219.0	181	120	120	154.0	2xM32x1.5	72
LA112ZM	732.5	813.5	219.0	181	120	120	258.0	2xM32x1.5	79
LA132S/M	766.5	868.5	259.0	195	140	140	196.5	2xM32x1.5	82
LA132ZM	812.5	914.5	259.0	195	140	140	304.5	2xM32x1.5	104

④ DIN 332

⑤ Feather key / keyway DIN 6885

① DIN 6912

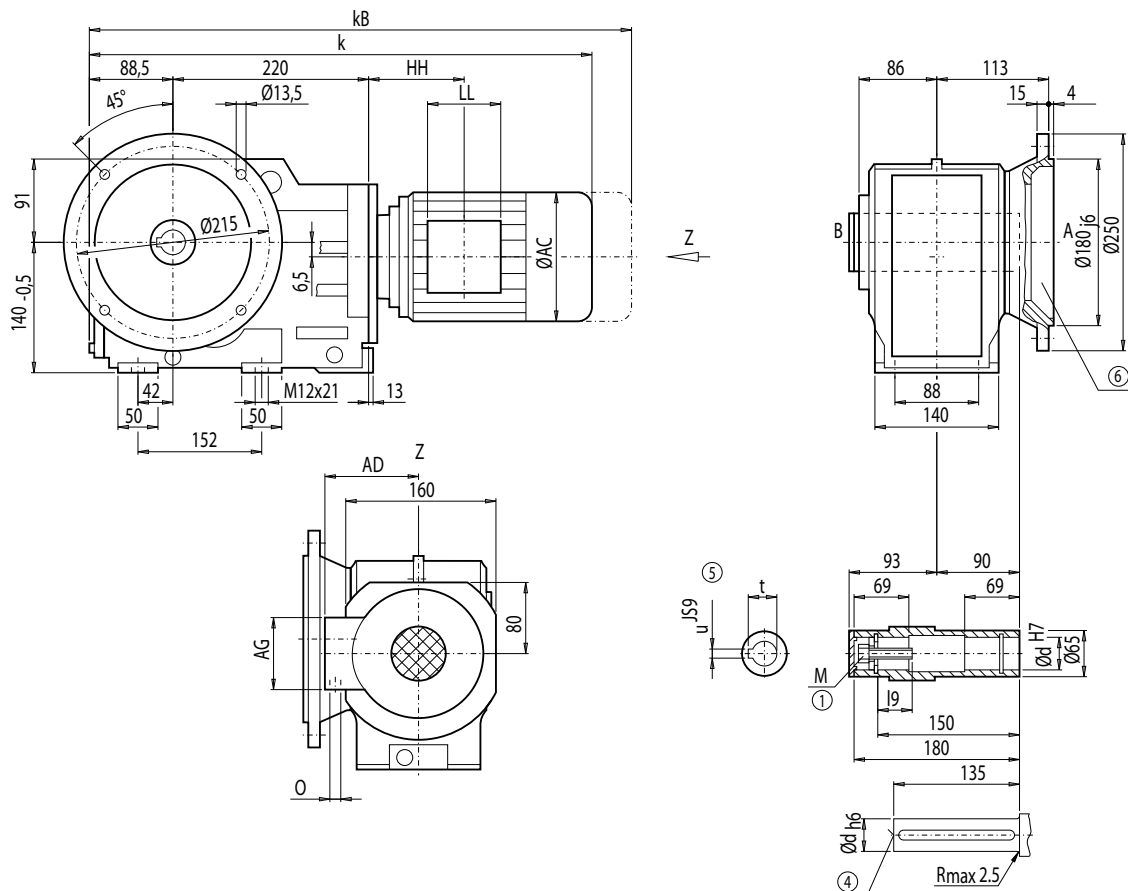
MOTOX Geared Motors

Bevel helical geared motors

Dimensions

Gearbox KAF68 (3-stage), flange-mounted design

KAF012



d	I9	M	t	u
40 *)	48	M16	43.3	12
45	47	M16	48.8	14

*) Preferred series

Motor	KAF68								Weight
	k	kB	AC	AD	AG	LL	HH	O	KAF68
LA71	561.5	616.5	139.0	146	90	90	109.0	M20x1.5/M25x1.5	45
LA71Z	580.5	635.5	139.0	146	90	90	109.0	M20x1.5/M25x1.5	45
LA80	598.5	662.0	156.5	155	90	90	108.5	M20x1.5/M25x1.5	50
LA80Z	621.0	684.5	156.5	155	90	90	181.5	M20x1.5/M25x1.5	54
LA90S/L	629.5	700.5	174.0	163	90	90	108.5	M20x1.5/M25x1.5	55
LA90ZL	674.5	745.5	174.0	163	90	90	232.5	M20x1.5/M25x1.5	61
LA100L	675.5	756.5	195.0	168	120	120	149.0	2xM32x1.5	64
LA100ZL	745.5	826.5	195.0	168	120	120	281.0	2xM32x1.5	74
LA112M	704.5	785.5	219.0	181	120	120	154.0	2xM32x1.5	75
LA112ZM	732.5	813.5	219.0	181	120	120	258.0	2xM32x1.5	82
LA132S/M	766.5	868.5	259.0	195	140	140	196.5	2xM32x1.5	85
LA132ZM	812.5	914.5	259.0	195	140	140	304.5	2xM32x1.5	107

④ DIN 332

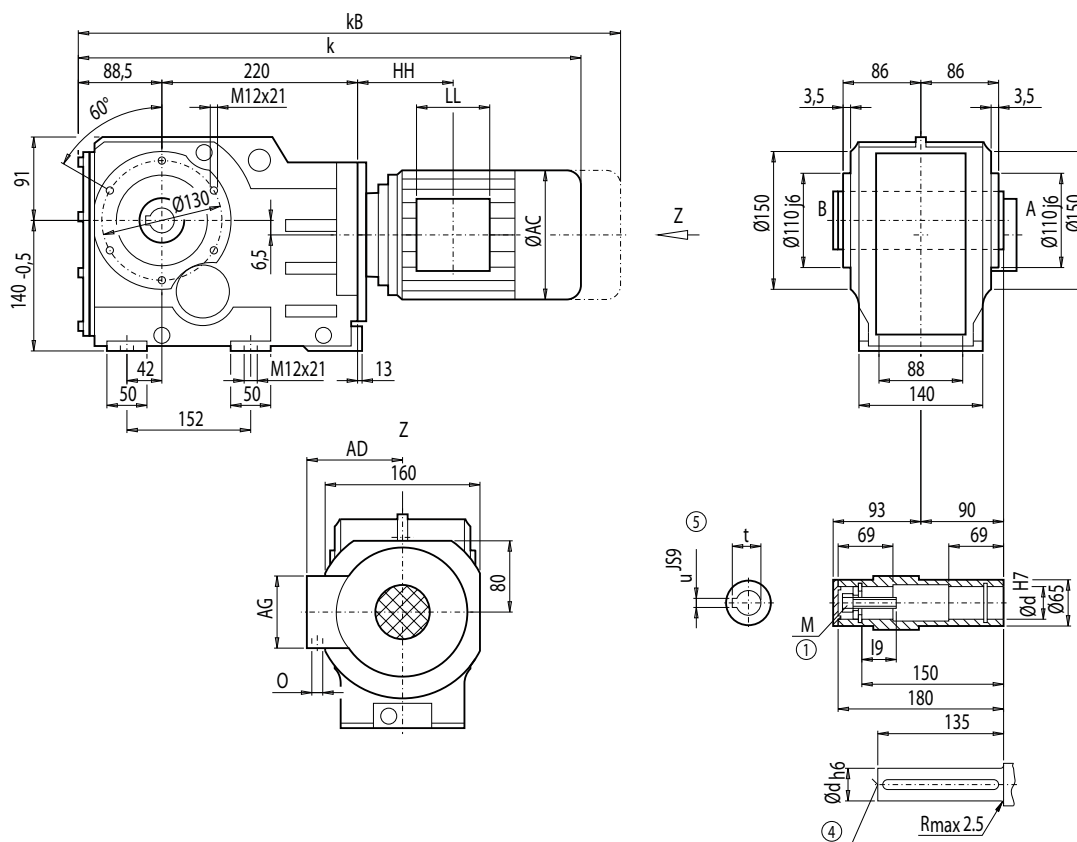
⑤ Feather key / keyway DIN 6885

① DIN 6912

⑥ For note, see page 4/217

Gearbox KAZ68 (3-stage), shaft-mounted design with housing flange (C-type)

KAZ012



d	l9	M	t	u
40 ^{*)}	48	M16	43.3	12
45	47	M16	48.8	14

*) Preferred series

Motor	KAZ68								Weight KAZ68
	k	kB	AC	AD	AG	LL	HH	O	
LA71	561.5	616.5	139.0	146	90	90	109.0	M20x1.5/M25x1.5	41
LA71Z	580.5	635.5	139.0	146	90	90	109.0	M20x1.5/M25x1.5	41
LA80	598.5	662.0	156.5	155	90	90	108.5	M20x1.5/M25x1.5	46
LA80Z	621.0	684.5	156.5	155	90	90	181.5	M20x1.5/M25x1.5	50
LA90S/L	629.5	700.5	174.0	163	90	90	108.5	M20x1.5/M25x1.5	50
LA90ZL	674.5	745.5	174.0	163	90	90	232.5	M20x1.5/M25x1.5	56
LA100L	675.5	756.5	195.0	168	120	120	149.0	2xM32x1.5	59
LA100ZL	745.5	826.5	195.0	168	120	120	281.0	2xM32x1.5	69
LA112M	704.5	785.5	219.0	181	120	120	154.0	2xM32x1.5	71
LA112ZM	732.5	813.5	219.0	181	120	120	258.0	2xM32x1.5	78
LA132S/M	766.5	868.5	259.0	195	140	140	196.5	2xM32x1.5	81
LA132ZM	812.5	914.5	259.0	195	140	140	304.5	2xM32x1.5	102

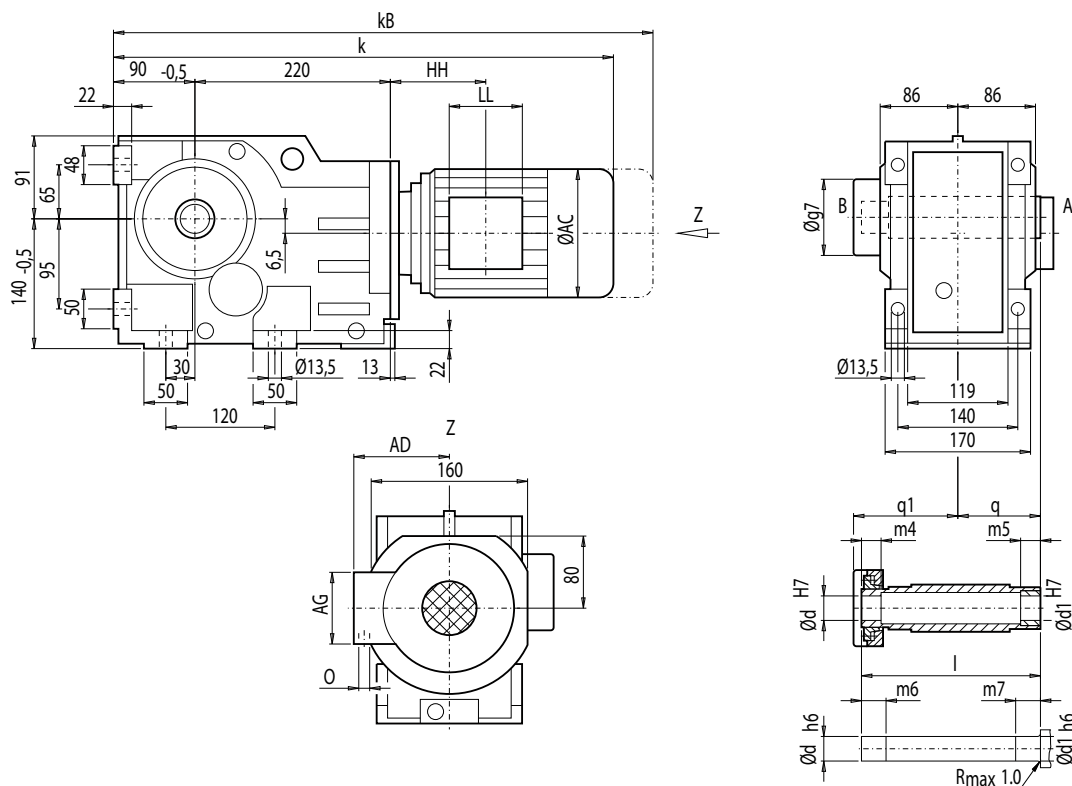
MOTOX Geared Motors

Bevel helical geared motors

Dimensions

Gearbox KAS68 (3-stage), shaft-mounted design with shrink disk

KAS012



d	d1	l	m4	m5	m6	m7	q1	q	g7
40 ^{*)}	40	209	35	20	40	25	126	90	112
50	50	209	27	20	32	25	126	90	112

^{*)} Preferred series

Motor	KAS68									Weight
	k	kB	AC	AD	AG	LL	HH	O	KAS68	
LA71	563.0	618.0	139.0	146	90	90	109.0	M20x1.5/M25x1.5	42	
LA71Z	582.0	637.0	139.0	146	90	90	109.0	M20x1.5/M25x1.5	42	
LA80	600.0	663.5	156.5	155	90	90	108.5	M20x1.5/M25x1.5	47	
LA80Z	622.5	686.0	156.5	155	90	90	181.5	M20x1.5/M25x1.5	51	
LA90S/L	631.0	702.0	174.0	163	90	90	108.5	M20x1.5/M25x1.5	51	
LA90ZL	676.0	747.0	174.0	163	90	90	232.5	M20x1.5/M25x1.5	57	
LA100L	677.0	758.0	195.0	168	120	120	149.0	2xM32x1.5	60	
LA100ZL	747.0	828.0	195.0	168	120	120	281.0	2xM32x1.5	70	
LA112M	706.0	787.0	219.0	181	120	120	154.0	2xM32x1.5	72	
LA112ZM	734.0	815.0	219.0	181	120	120	258.0	2xM32x1.5	79	
LA132S/M	768.0	870.0	259.0	195	140	140	196.5	2xM32x1.5	82	
LA132ZM	814.0	916.0	259.0	195	140	140	304.5	2xM32x1.5	103	

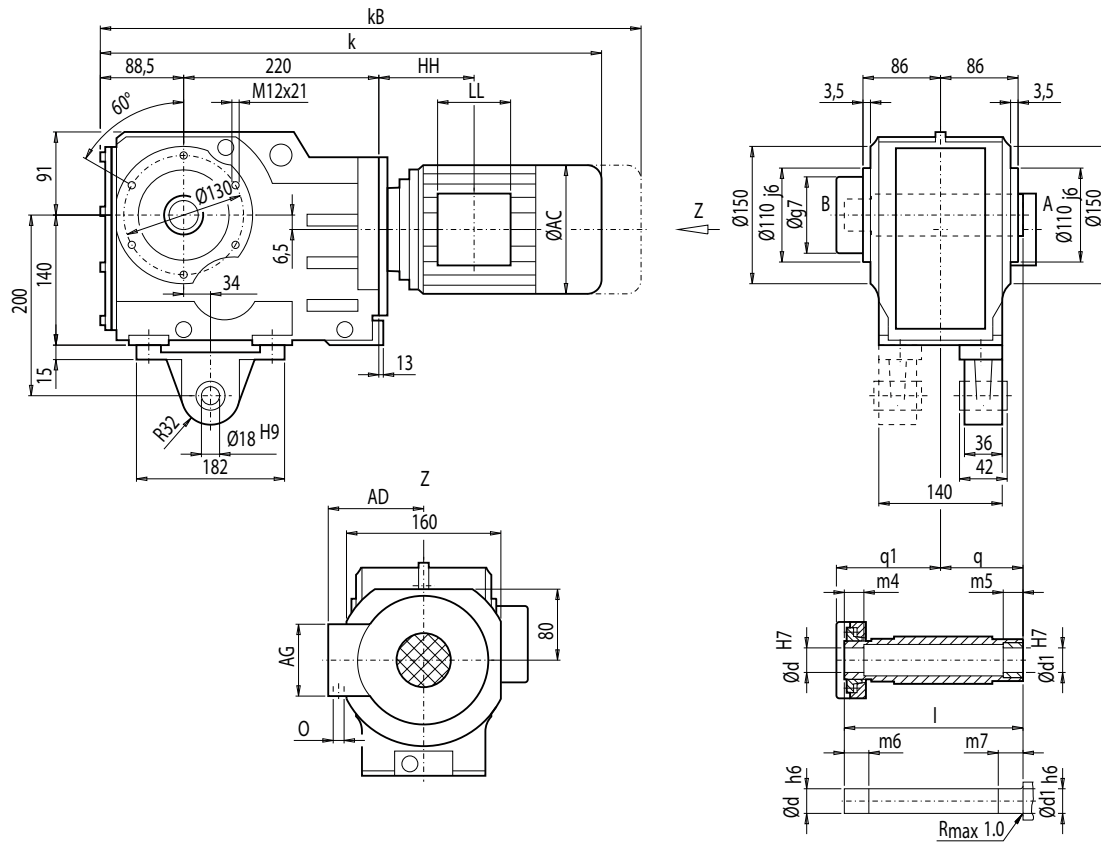
MOTOX Geared Motors

Bevel helical geared motors

Dimensions

Gearbox KADS68 (3-stage), shaft-mounted design with torque arm and shrink disk

KADS012



d	d1	l	m4	m5	m6	m7	q1	q	g7
40 *)	40	209	35	20	40	25	126	90	112
50	50	209	27	20	32	25	126	90	112

*) Preferred series

Motor	KADS68									Weight KADS68
	k	kB	AC	AD	AG	LL	HH	O		
LA71	561.5	616.5	139.0	146	90	90	109.0	M20x1.5/M25x1.5	44	
LA71Z	580.5	635.5	139.0	146	90	90	109.0	M20x1.5/M25x1.5	44	
LA80	598.5	662.0	156.5	155	90	90	108.5	M20x1.5/M25x1.5	49	
LA80Z	621.0	684.5	156.5	155	90	90	181.5	M20x1.5/M25x1.5	54	
LA90S/L	629.5	700.5	174.0	163	90	90	108.5	M20x1.5/M25x1.5	53	
LA90ZL	674.5	745.5	174.0	163	90	90	232.5	M20x1.5/M25x1.5	59	
LA100L	675.5	756.5	195.0	168	120	120	149.0	2xM32x1.5	62	
LA100ZL	745.5	826.5	195.0	168	120	120	281.0	2xM32x1.5	72	
LA112M	704.5	785.5	219.0	181	120	120	154.0	2xM32x1.5	74	
LA112ZM	732.5	813.5	219.0	181	120	120	258.0	2xM32x1.5	81	
LA132S/M	766.5	868.5	259.0	195	140	140	196.5	2xM32x1.5	84	
LA132ZM	812.5	914.5	259.0	195	140	140	304.5	2xM32x1.5	105	

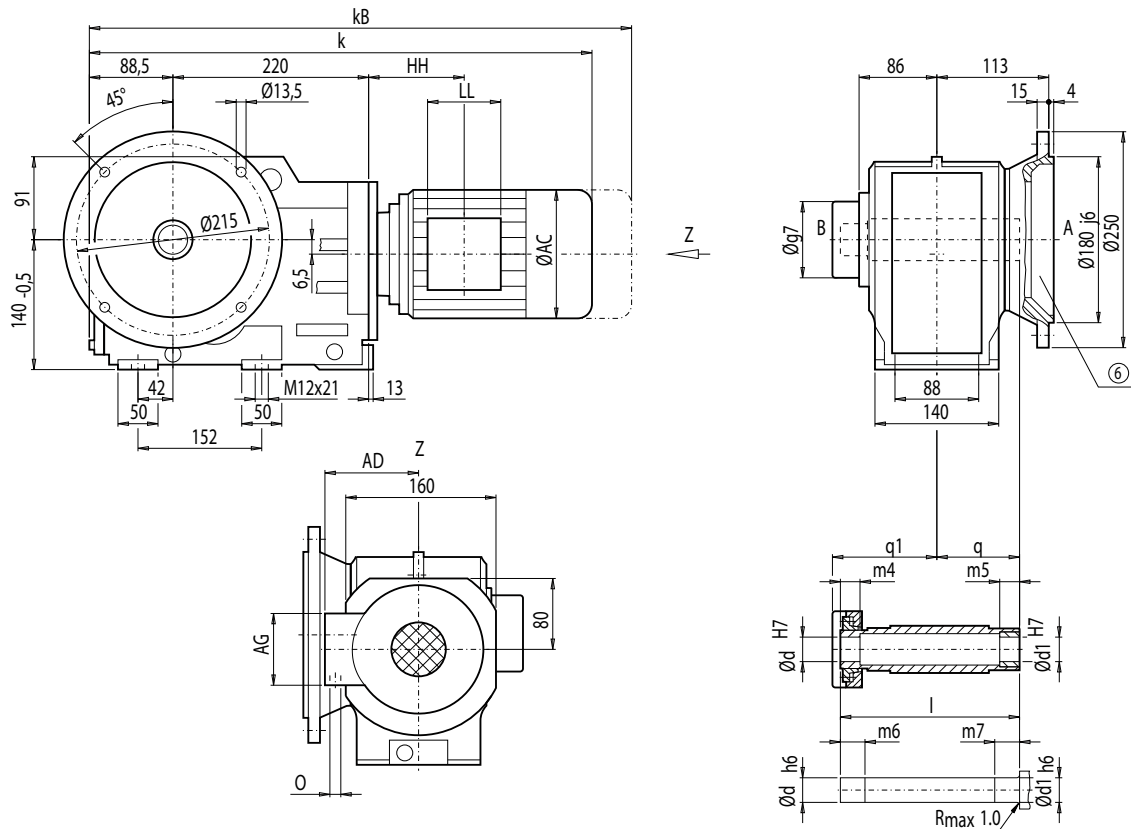
MOTOX Geared Motors

Bevel helical geared motors

Dimensions

Gearbox KAFS68 (3-stage), flange-mounted design and shrink disk

KAFS012



d	d1	l	m4	m5	m6	m7	q1	q	g7
40 ^{*)}	40	209	35	20	40	25	126	90	112
50	50	209	27	20	32	25	126	90	112

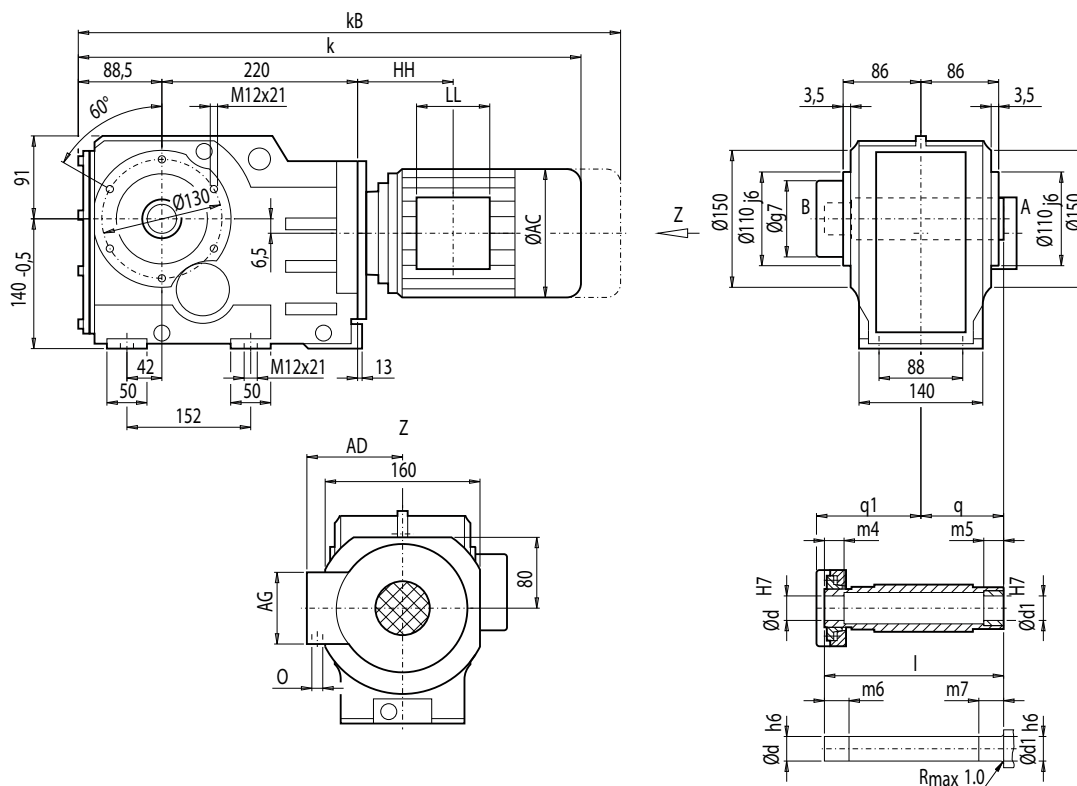
^{*)} Preferred series

Motor	KAFS68									Weight KAFS68
	k	kB	AC	AD	AG	LL	HH	O		
LA71	561.5	616.5	139.0	146	90	90	109.0	M20x1.5/M25x1.5	47	
LA71Z	580.5	635.5	139.0	146	90	90	109.0	M20x1.5/M25x1.5	47	
LA80	598.5	662.0	156.5	155	90	90	108.5	M20x1.5/M25x1.5	52	
LA80Z	621.0	684.5	156.5	155	90	90	181.5	M20x1.5/M25x1.5	56	
LA90S/L	629.5	700.5	174.0	163	90	90	108.5	M20x1.5/M25x1.5	56	
LA90ZL	674.5	745.5	174.0	163	90	90	232.5	M20x1.5/M25x1.5	62	
LA100L	675.5	756.5	195.0	168	120	120	149.0	2xM32x1.5	65	
LA100ZL	745.5	826.5	195.0	168	120	120	281.0	2xM32x1.5	75	
LA112M	704.5	785.5	219.0	181	120	120	154.0	2xM32x1.5	77	
LA112ZM	732.5	813.5	219.0	181	120	120	258.0	2xM32x1.5	84	
LA132S/M	766.5	868.5	259.0	195	140	140	196.5	2xM32x1.5	87	
LA132ZM	812.5	914.5	259.0	195	140	140	304.5	2xM32x1.5	108	

© For note, see page 4/217

Gearbox KAZS68 (3-stage), shaft-mounted design with housing flange (C-type) and shrink disk

KAZS012



d	d1	l	m4	m5	m6	m7	q1	q	g7
40 ^{*)}	40	209	35	20	40	25	126	90	112
50	50	209	27	20	32	25	126	90	112

*) Preferred series

Motor	KAZS68									Weight
	k	kB	AC	AD	AG	LL	HH	O	KAZS68	
LA71	561.5	616.5	139.0	146	90	90	109.0	M20x1.5/M25x1.5	42	
LA71Z	580.5	635.5	139.0	146	90	90	109.0	M20x1.5/M25x1.5	42	
LA80	598.5	662.0	156.5	155	90	90	108.5	M20x1.5/M25x1.5	47	
LA80Z	621.0	684.5	156.5	155	90	90	181.5	M20x1.5/M25x1.5	51	
LA90S/L	629.5	700.5	174.0	163	90	90	108.5	M20x1.5/M25x1.5	52	
LA90ZL	674.5	745.5	174.0	163	90	90	232.5	M20x1.5/M25x1.5	58	
LA100L	675.5	756.5	195.0	168	120	120	149.0	2xM32x1.5	61	
LA100ZL	745.5	826.5	195.0	168	120	120	281.0	2xM32x1.5	71	
LA112M	704.5	785.5	219.0	181	120	120	154.0	2xM32x1.5	72	
LA112ZM	732.5	813.5	219.0	181	120	120	258.0	2xM32x1.5	79	
LA132S/M	766.5	868.5	259.0	195	140	140	196.5	2xM32x1.5	82	
LA132ZM	812.5	914.5	259.0	195	140	140	304.5	2xM32x1.5	103	

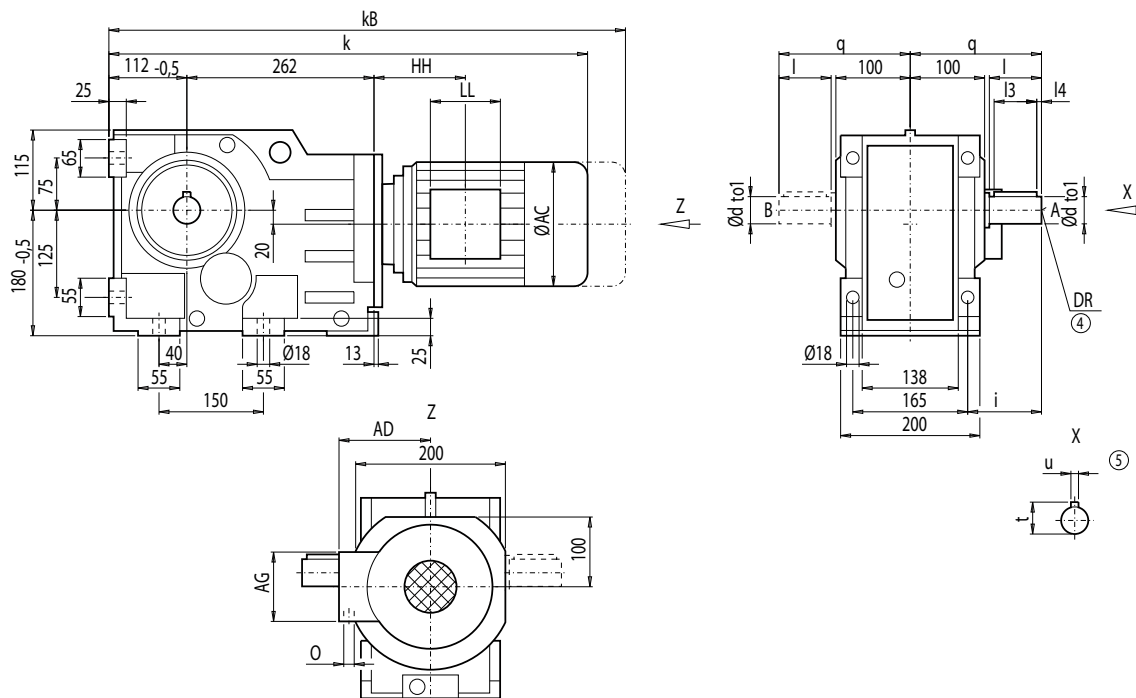
MOTOX Geared Motors

Bevel helical geared motors

Dimensions

Gearbox K88 (3-stage), housing-flange-mounted design (C-type)

K012



d	to1	l	l3	l4	t	u	i	q	DR
50 ^{*)}	k6	100	80	10	53.5	14	122.5	205	M16x36
70	m6	140	110	15	74.5	20	162.5	245	M20x42

^{*)} Preferred series

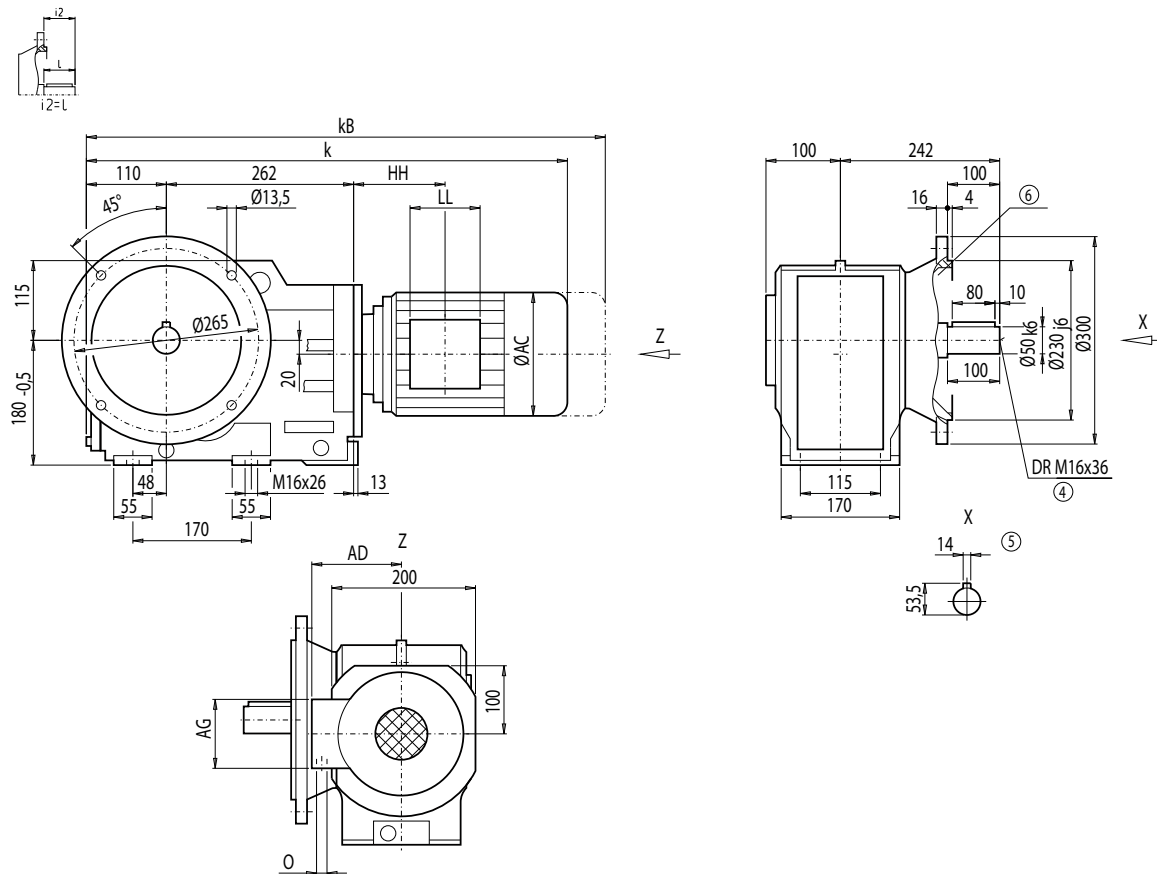
Motor	K88								Weight
	k	kB	AC	AD	AG	LL	HH	O	K88
LA71	621.0	676.0	139.0	146	90	90	103.0	M20x1.5/M25x1.5	73
LA71Z	640.0	695.0	139.0	146	90	90	103.0	M20x1.5/M25x1.5	73
LA80	658.0	721.5	156.5	155	90	90	102.5	M20x1.5/M25x1.5	78
LA80Z	680.5	744.0	156.5	155	90	90	175.5	M20x1.5/M25x1.5	82
LA90S/L	689.0	760.0	174.0	163	90	90	102.5	M20x1.5/M25x1.5	83
LA90ZL	734.0	805.0	174.0	163	90	90	226.5	M20x1.5/M25x1.5	89
LA100L	735.0	816.0	195.0	168	120	120	143.0	2xM32x1.5	92
LA100ZL	805.0	886.0	195.0	168	120	120	275.0	2xM32x1.5	102
LA112M	762.0	843.0	219.0	181	120	120	146.0	2xM32x1.5	104
LA112ZM	790.0	871.0	219.0	181	120	120	250.0	2xM32x1.5	111
LA132S/M	822.0	924.0	259.0	195	140	140	186.5	2xM32x1.5	117
LA132ZM	868.0	970.0	259.0	195	140	140	294.5	2xM32x1.5	138
LA160M/L	924.5	1 043.0	313.5	227	165	165	212.0	2xM40x1.5	149
LA160ZL	972.5	1 091.0	313.5	227	165	165	365.0	2xM40x1.5	188

ⓐ DIN 332

Ⓢ Feather key / keyway DIN 6885

Gearbox KF88 (3-stage), flange-mounted design (A-type)

KF012



Motor	KF88								Weight
	k	kB	AC	AD	AG	LL	HH	O	KF88
LA71	619.0	674.0	139.0	146	90	90	103.0	M20x1.5/M25x1.5	80
LA71Z	638.0	693.0	139.0	146	90	90	103.0	M20x1.5/M25x1.5	80
LA80	656.0	719.5	156.5	155	90	90	102.5	M20x1.5/M25x1.5	85
LA80Z	678.5	742.0	156.5	155	90	90	175.5	M20x1.5/M25x1.5	89
LA90S/L	687.0	758.0	174.0	163	90	90	102.5	M20x1.5/M25x1.5	89
LA90ZL	732.0	803.0	174.0	163	90	90	226.5	M20x1.5/M25x1.5	95
LA100L	733.0	814.0	195.0	168	120	120	143.0	2xM32x1.5	99
LA100ZL	803.0	884.0	195.0	168	120	120	275.0	2xM32x1.5	109
LA112M	760.0	841.0	219.0	181	120	120	146.0	2xM32x1.5	110
LA112ZM	788.0	869.0	219.0	181	120	120	250.0	2xM32x1.5	117
LA132S/M	820.0	922.0	259.0	195	140	140	186.5	2xM32x1.5	123
LA132ZM	866.0	968.0	259.0	195	140	140	294.5	2xM32x1.5	144
LA160M/L	922.5	1 041.0	313.5	227	165	165	212.0	2xM40x1.5	156
LA160ZL	970.5	1 089.0	313.5	227	165	165	365.0	2xM40x1.5	195

④ DIN 332

⑤ Feather key / keyway DIN 6885

⑥ For note, see page 4/217

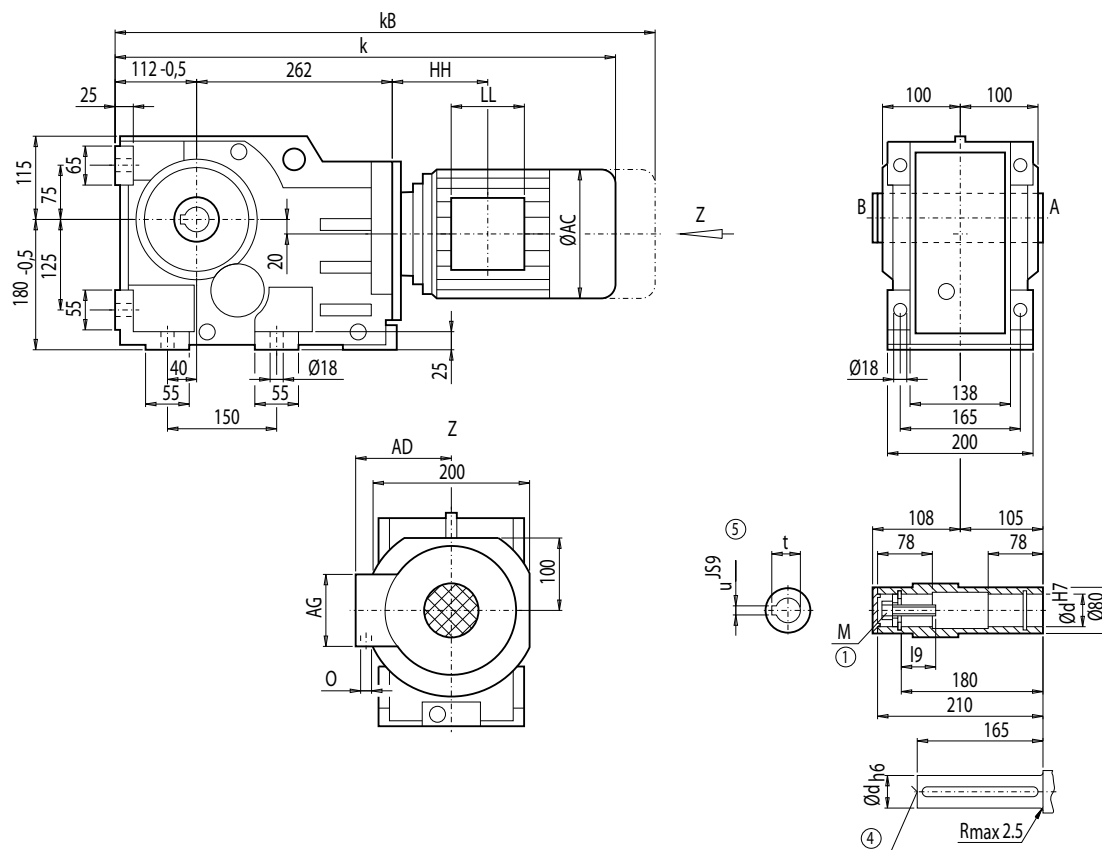
MOTOX Geared Motors

Bevel helical geared motors

Dimensions

Gearbox KA88 (3-stage), housing-flange-mounted design (C-type)

KA012



d	l ₉	M	t	u
50 ^{*)}	44.5	M16	53.8	14
60	54.0	M20	64.4	18

*) Preferred series

Motor	KA88								Weight KA88
	k	kB	AC	AD	AG	LL	HH	O	
LA71	621.0	676.0	139.0	146	90	90	103.0	M20x1.5/M25x1.5	65
LA71Z	640.0	695.0	139.0	146	90	90	103.0	M20x1.5/M25x1.5	65
LA80	658.0	721.5	156.5	155	90	90	102.5	M20x1.5/M25x1.5	70
LA80Z	680.5	744.0	156.5	155	90	90	175.5	M20x1.5/M25x1.5	74
LA90S/L	689.0	760.0	174.0	163	90	90	102.5	M20x1.5/M25x1.5	75
LA90ZL	734.0	805.0	174.0	163	90	90	226.5	M20x1.5/M25x1.5	81
LA100L	735.0	816.0	195.0	168	120	120	143.0	2xM32x1.5	84
LA100ZL	805.0	886.0	195.0	168	120	120	275.0	2xM32x1.5	94
LA112M	762.0	843.0	219.0	181	120	120	146.0	2xM32x1.5	96
LA112ZM	790.0	871.0	219.0	181	120	120	250.0	2xM32x1.5	103
LA132S/M	822.0	924.0	259.0	195	140	140	186.5	2xM32x1.5	109
LA132ZM	868.0	970.0	259.0	195	140	140	294.5	2xM32x1.5	130
LA160M/L	924.5	1 043.0	313.5	227	165	165	212.0	2xM40x1.5	141
LA160ZL	972.5	1 091.0	313.5	227	165	165	365.0	2xM40x1.5	180

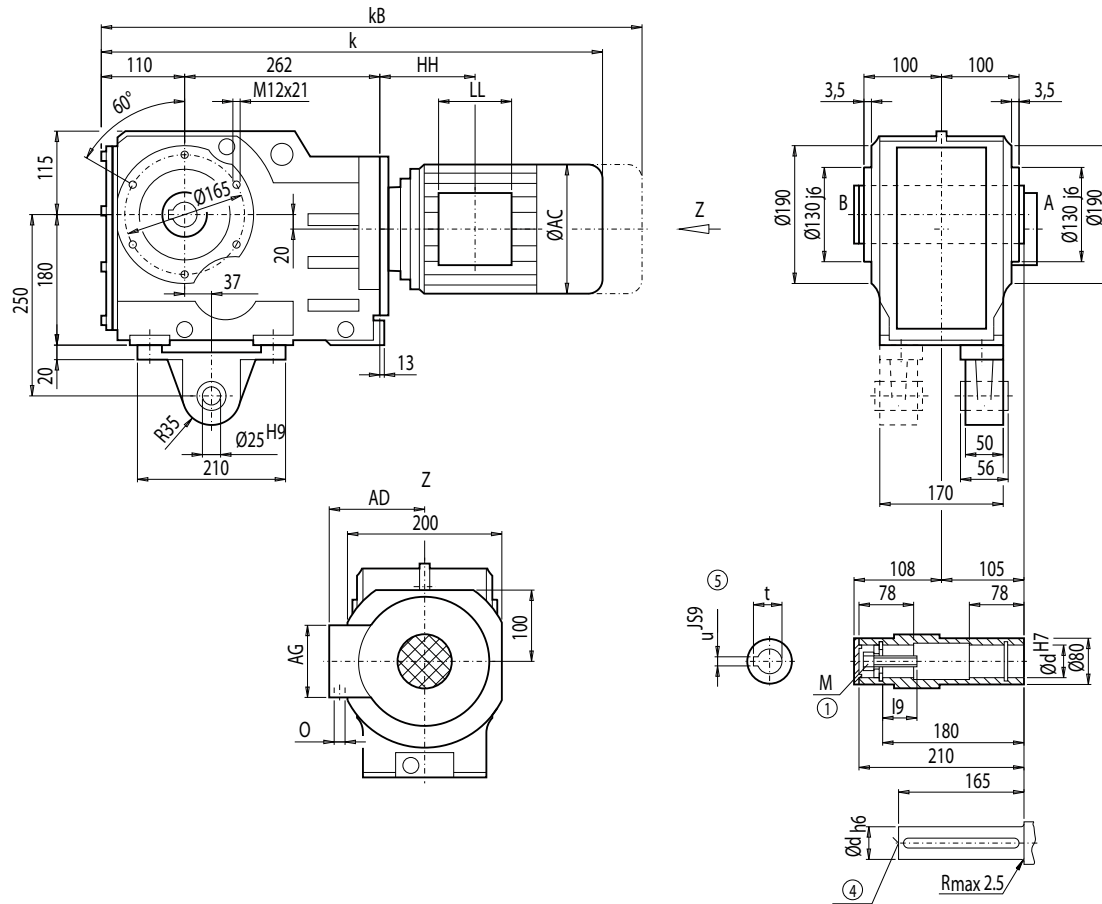
④ DIN 332

⑤ Feather key / keyway DIN 6885

① DIN EN ISO 4014

Gearbox KAD88 (3-stage), shaft-mounted design with torque arm

KAD012



d	I9	M	t	u
50 *)	44.5	M16	53.8	14
60	54.0	M20	64.4	18

*) Preferred series

Motor	KAD88								Weight
	k	k _B	AC	AD	AG	LL	HH	O	KAD88
LA71	619.0	674.0	139.0	146	90	90	103.0	M20x1.5/M25x1.5	68
LA71Z	638.0	693.0	139.0	146	90	90	103.0	M20x1.5/M25x1.5	68
LA80	656.0	719.5	156.5	155	90	90	102.5	M20x1.5/M25x1.5	73
LA80Z	678.5	742.0	156.5	155	90	90	175.5	M20x1.5/M25x1.5	77
LA90S/L	687.0	758.0	174.0	163	90	90	102.5	M20x1.5/M25x1.5	77
LA90ZL	732.0	803.0	174.0	163	90	90	226.5	M20x1.5/M25x1.5	83
LA100L	733.0	814.0	195.0	168	120	120	143.0	2xM32x1.5	86
LA100ZL	803.0	884.0	195.0	168	120	120	275.0	2xM32x1.5	96
LA112M	760.0	841.0	219.0	181	120	120	146.0	2xM32x1.5	98
LA112ZM	788.0	869.0	219.0	181	120	120	250.0	2xM32x1.5	105
LA132S/M	820.0	922.0	259.0	195	140	140	186.5	2xM32x1.5	111
LA132ZM	866.0	968.0	259.0	195	140	140	294.5	2xM32x1.5	132
LA160M/L	922.5	1 041.0	313.5	227	165	165	212.0	2xM40x1.5	140
LA160ZL	970.5	1 089.0	313.5	227	165	165	365.0	2xM40x1.5	179

④ DIN 332

⑤ Feather key / keyway DIN 6885

① DIN EN ISO 4014

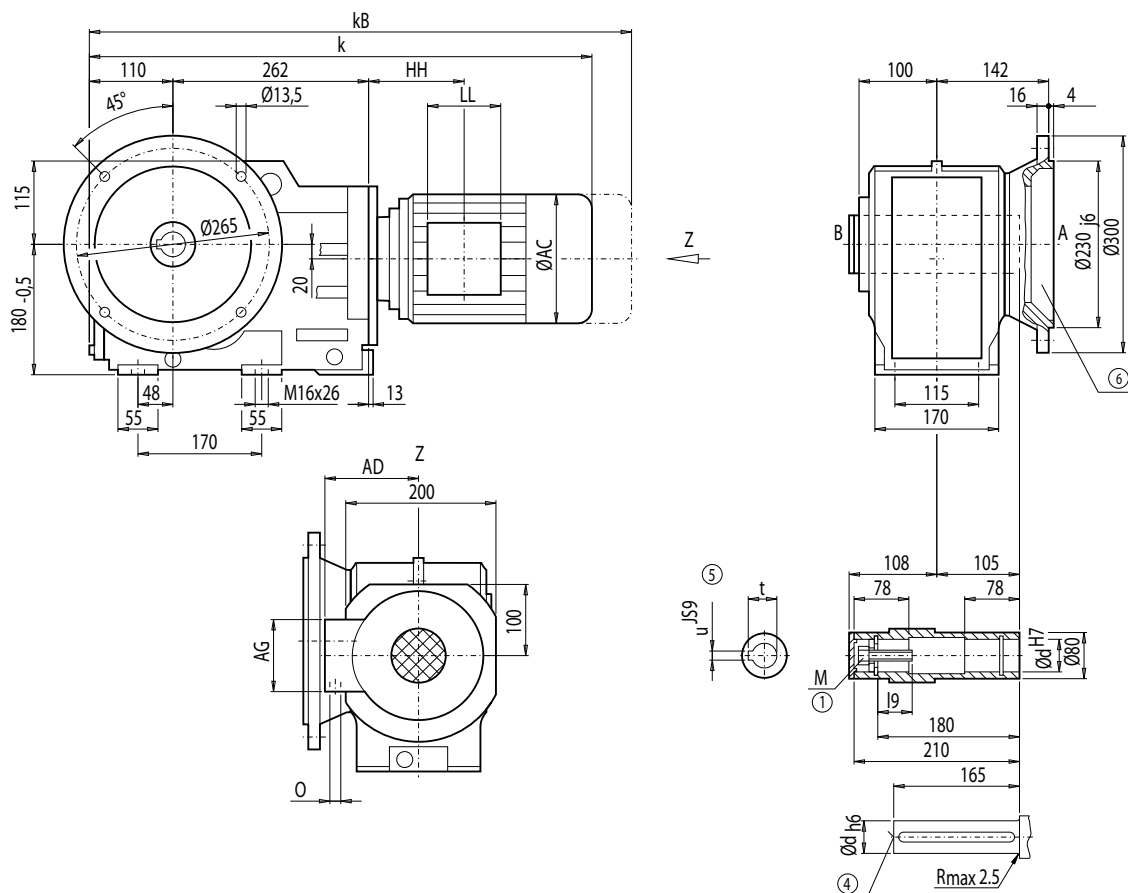
MOTOX Geared Motors

Bevel helical geared motors

Dimensions

Gearbox KAF88 (3-stage), flange-mounted design

KAF012



d	I ₉	M	t	u
50 *)	44.5	M16	53.8	14
60	54.0	M20	64.4	18

*) Preferred series

Motor	KAF88								Weight
	k	k _B	AC	AD	AG	LL	HH	O	KAF88
LA71	619.0	674.0	139.0	146	90	90	103.0	M20x1.5/M25x1.5	72
LA71Z	638.0	693.0	139.0	146	90	90	103.0	M20x1.5/M25x1.5	72
LA80	656.0	719.5	156.5	155	90	90	102.5	M20x1.5/M25x1.5	77
LA80Z	678.5	742.0	156.5	155	90	90	175.5	M20x1.5/M25x1.5	81
LA90S/L	687.0	758.0	174.0	163	90	90	102.5	M20x1.5/M25x1.5	81
LA90ZL	732.0	803.0	174.0	163	90	90	226.5	M20x1.5/M25x1.5	87
LA100L	733.0	814.0	195.0	168	120	120	143.0	2xM32x1.5	90
LA100ZL	803.0	884.0	195.0	168	120	120	275.0	2xM32x1.5	100
LA112M	760.0	841.0	219.0	181	120	120	146.0	2xM32x1.5	102
LA112ZM	788.0	869.0	219.0	181	120	120	250.0	2xM32x1.5	109
LA132S/M	820.0	922.0	259.0	195	140	140	186.5	2xM32x1.5	115
LA132ZM	866.0	968.0	259.0	195	140	140	294.5	2xM32x1.5	136
LA160M/L	922.5	1 041.0	313.5	227	165	165	212.0	2xM40x1.5	148
LA160ZL	970.5	1 089.0	313.5	227	165	165	365.0	2xM40x1.5	187

④ DIN 332

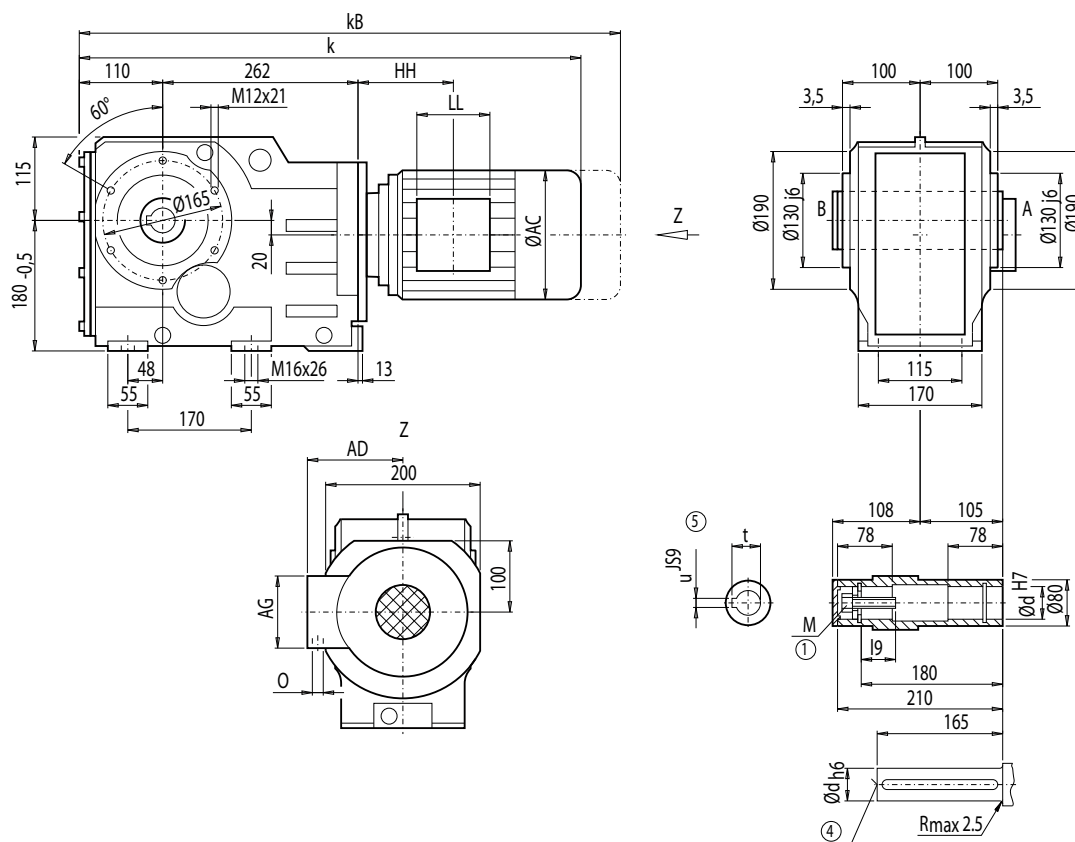
⑤ Feather key / keyway DIN 6885

① DIN EN ISO 4014

⑥ For note, see page 4/217

Gearbox KAZ88 (3-stage), shaft-mounted design with housing flange (C-type)

KAZ012



d	l ₉	M	t	u
50 ^{*)}	44.5	M16	53.8	14
60	54.0	M20	64.4	18

*) Preferred series

Motor	KAZ88								Weight
	k	kB	AC	AD	AG	LL	HH	O	KAZ88
LA71	619.0	674.0	139.0	146	90	90	103.0	M20x1.5/M25x1.5	65
LA71Z	638.0	693.0	139.0	146	90	90	103.0	M20x1.5/M25x1.5	65
LA80	656.0	719.5	156.5	155	90	90	102.5	M20x1.5/M25x1.5	70
LA80Z	678.5	742.0	156.5	155	90	90	175.5	M20x1.5/M25x1.5	74
LA90S/L	687.0	758.0	174.0	163	90	90	102.5	M20x1.5/M25x1.5	74
LA90ZL	732.0	803.0	174.0	163	90	90	226.5	M20x1.5/M25x1.5	80
LA100L	733.0	814.0	195.0	168	120	120	143.0	2xM32x1.5	84
LA100ZL	803.0	884.0	195.0	168	120	120	275.0	2xM32x1.5	94
LA112M	760.0	841.0	219.0	181	120	120	146.0	2xM32x1.5	95
LA112ZM	788.0	869.0	219.0	181	120	120	250.0	2xM32x1.5	102
LA132S/M	820.0	922.0	259.0	195	140	140	186.5	2xM32x1.5	108
LA132ZM	866.0	968.0	259.0	195	140	140	294.5	2xM32x1.5	129
LA160M/L	922.5	1 041.0	313.5	227	165	165	212.0	2xM40x1.5	141
LA160ZL	970.5	1 089.0	313.5	227	165	165	365.0	2xM40x1.5	180

④ DIN 332

⑤ Feather key / keyway DIN 6885

① DIN EN ISO 4014

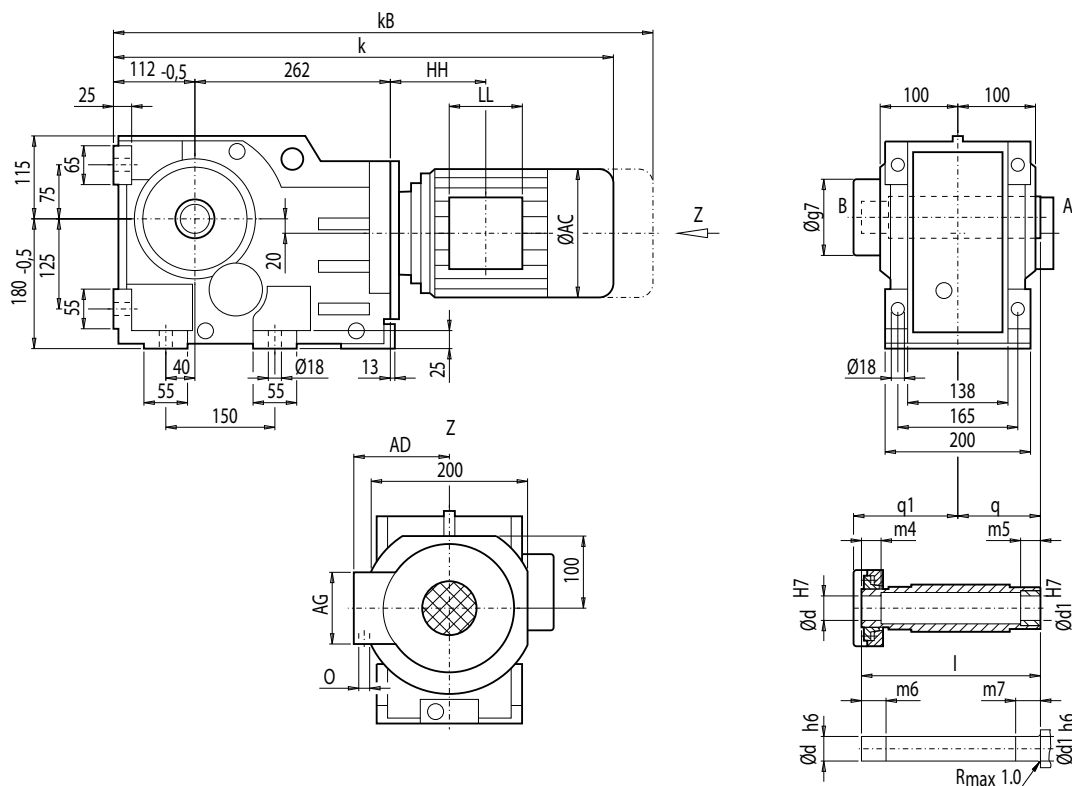
MOTOX Geared Motors

Bevel helical geared motors

Dimensions

Gearbox KAS88 (3-stage), shaft-mounted design with shrink disk

KAS012



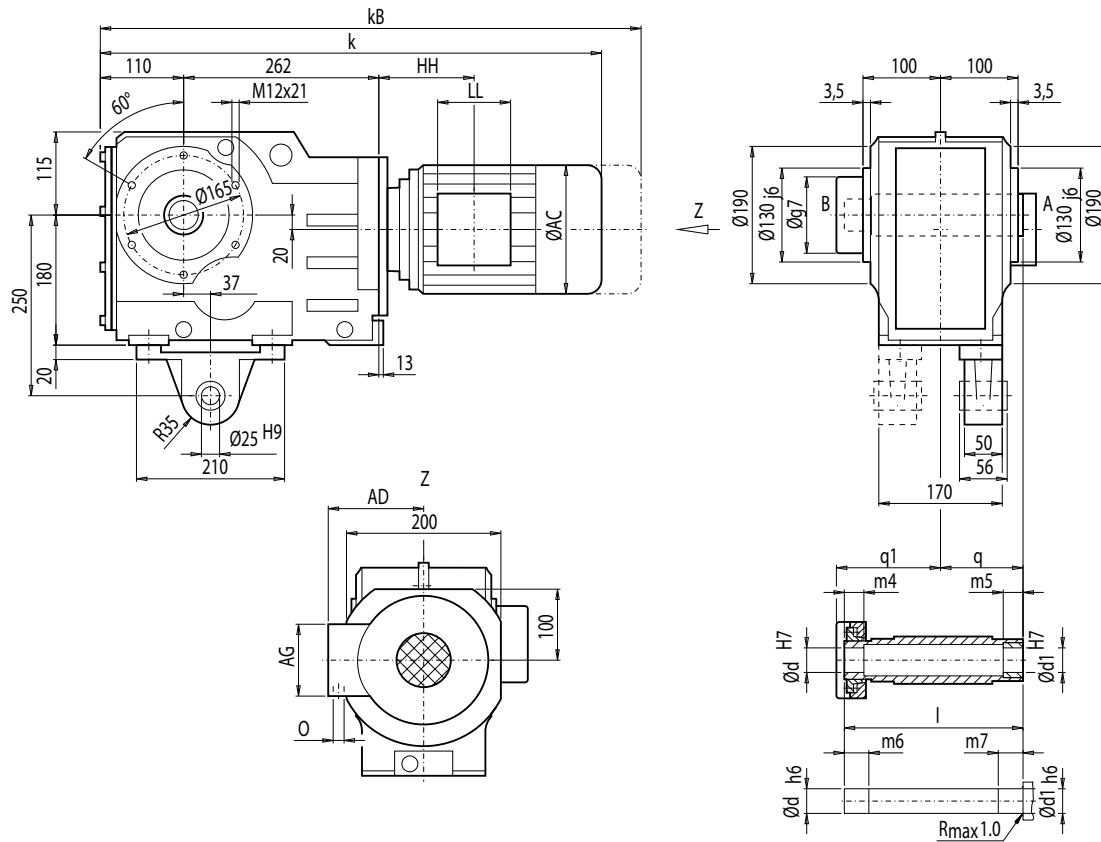
d	d1	l	m4	m5	m6	m7	q1	q	g7
50 *)	50	241	29	30	34	35	144	105	132
60	60	241	29	30	34	35	144	105	132

*) Preferred series

Motor	KAS88									Weight KAS88
	k	kB	AC	AD	AG	LL	HH	O		
LA71	621.0	676.0	139.0	146	90	90	103.0	M20x1.5/M25x1.5	67	
LA71Z	640.0	695.0	139.0	146	90	90	103.0	M20x1.5/M25x1.5	67	
LA80	658.0	721.5	156.5	155	90	90	102.5	M20x1.5/M25x1.5	72	
LA80Z	680.5	744.0	156.5	155	90	90	175.5	M20x1.5/M25x1.5	76	
LA90S/L	689.0	760.0	174.0	163	90	90	102.5	M20x1.5/M25x1.5	77	
LA90ZL	734.0	805.0	174.0	163	90	90	226.5	M20x1.5/M25x1.5	83	
LA100L	735.0	816.0	195.0	168	120	120	143.0	2xM32x1.5	86	
LA100ZL	805.0	886.0	195.0	168	120	120	275.0	2xM32x1.5	96	
LA112M	762.0	843.0	219.0	181	120	120	146.0	2xM32x1.5	97	
LA112ZM	790.0	871.0	219.0	181	120	120	250.0	2xM32x1.5	104	
LA132S/M	822.0	924.0	259.0	195	140	140	186.5	2xM32x1.5	110	
LA132ZM	868.0	970.0	259.0	195	140	140	294.5	2xM32x1.5	132	
LA160M/L	924.5	1 043.0	313.5	227	165	165	212.0	2xM40x1.5	143	
LA160ZL	972.5	1 091.0	313.5	227	165	165	365.0	2xM40x1.5	182	

Gearbox KADS88 (3-stage), shaft-mounted design with torque arm and shrink disk

KADS012



d	d1	l	m4	m5	m6	m7	q1	q	g7
50 ^{*)}	50	241	29	30	34	35	144	105	132
60	60	241	29	30	34	35	144	105	132

*) Preferred series

Motor	KADS88									Weight KADS88
	k	k _B	AC	AD	AG	LL	HH	O		
LA71	619.0	674.0	139.0	146	90	90	103.0	M20x1.5/M25x1.5	70	
LA71Z	638.0	693.0	139.0	146	90	90	103.0	M20x1.5/M25x1.5	70	
LA80	656.0	719.5	156.5	155	90	90	102.5	M20x1.5/M25x1.5	75	
LA80Z	678.5	742.0	156.5	155	90	90	175.5	M20x1.5/M25x1.5	79	
LA90S/L	687.0	758.0	174.0	163	90	90	102.5	M20x1.5/M25x1.5	79	
LA90ZL	732.0	803.0	174.0	163	90	90	226.5	M20x1.5/M25x1.5	85	
LA100L	733.0	814.0	195.0	168	120	120	143.0	2xM32x1.5	88	
LA100ZL	803.0	884.0	195.0	168	120	120	275.0	2xM32x1.5	98	
LA112M	760.0	841.0	219.0	181	120	120	146.0	2xM32x1.5	100	
LA112ZM	788.0	869.0	219.0	181	120	120	250.0	2xM32x1.5	107	
LA132S/M	820.0	922.0	259.0	195	140	140	186.5	2xM32x1.5	113	
LA132ZM	866.0	968.0	259.0	195	140	140	294.5	2xM32x1.5	134	
LA160M/L	922.5	1 041.0	313.5	227	165	165	212.0	2xM40x1.5	146	
LA160ZL	970.5	1 089.0	313.5	227	165	165	365.0	2xM40x1.5	185	

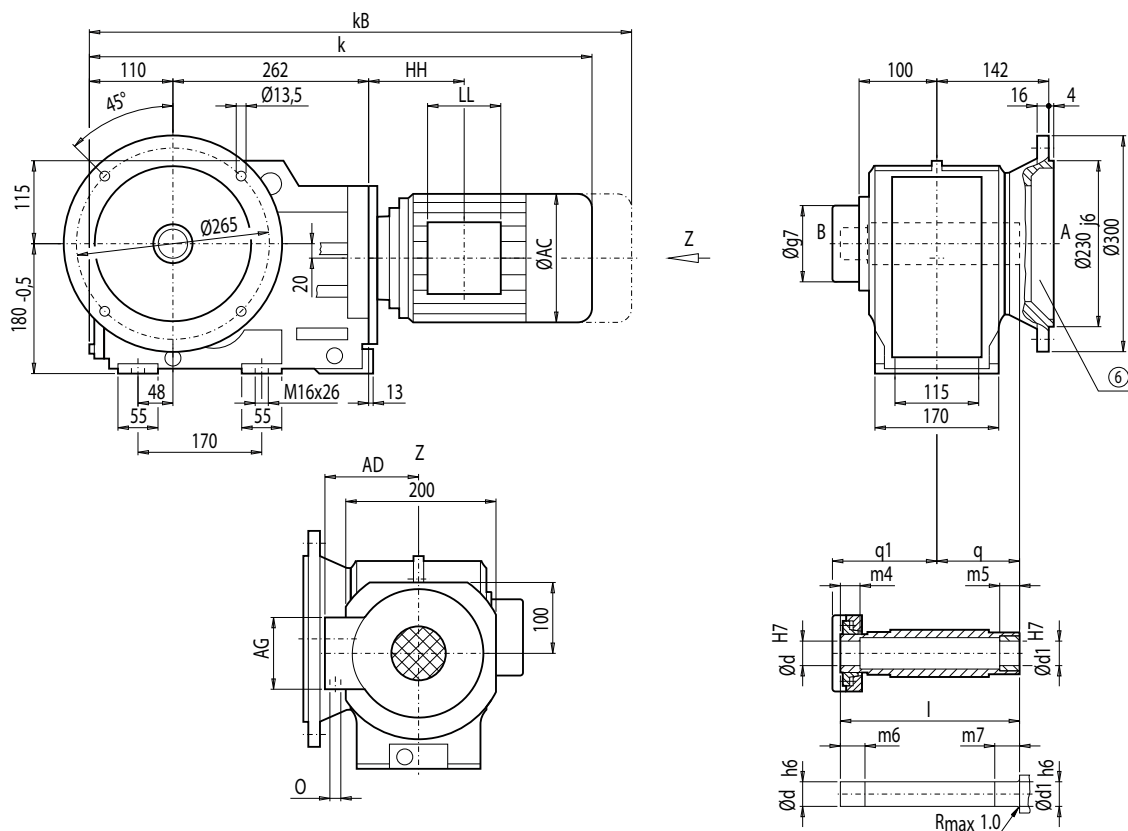
MOTEX Geared Motors

Bevel helical geared motors

Dimensions

Gearbox KAFS88 (3-stage), flange-mounted design and shrink disk

KAFS012



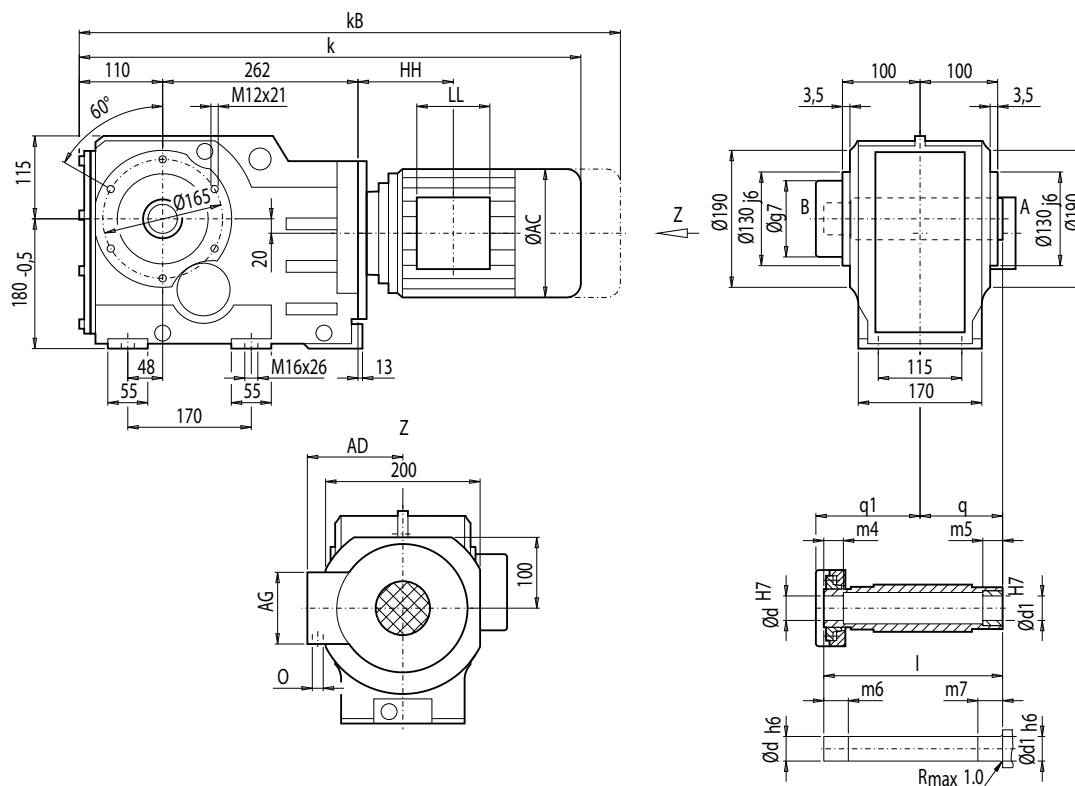
d	d1	l	m4	m5	m6	m7	q1	q	g7
50 *)	50	241	29	30	34	35	144	105	132
60	60	241	29	30	34	35	144	105	132

*) Preferred series

Motor	KAFS88								Weight
	k	kB	AC	AD	AG	LL	HH	O	KAFS88
LA71	619.0	674.0	139.0	146	90	90	103.0	M20x1.5/M25x1.5	74
LA71Z	638.0	693.0	139.0	146	90	90	103.0	M20x1.5/M25x1.5	74
LA80	656.0	719.5	156.5	155	90	90	102.5	M20x1.5/M25x1.5	79
LA80Z	678.5	742.0	156.5	155	90	90	175.5	M20x1.5/M25x1.5	83
LA90S/L	687.0	758.0	174.0	163	90	90	102.5	M20x1.5/M25x1.5	83
LA90ZL	732.0	803.0	174.0	163	90	90	226.5	M20x1.5/M25x1.5	89
LA100L	733.0	814.0	195.0	168	120	120	143.0	2xM32x1.5	92
LA100ZL	803.0	884.0	195.0	168	120	120	275.0	2xM32x1.5	102
LA112M	760.0	841.0	219.0	181	120	120	146.0	2xM32x1.5	104
LA112ZM	788.0	869.0	219.0	181	120	120	250.0	2xM32x1.5	111
LA132S/M	820.0	922.0	259.0	195	140	140	186.5	2xM32x1.5	117
LA132ZM	866.0	968.0	259.0	195	140	140	294.5	2xM32x1.5	138
LA160M/L	922.5	1 041.0	313.5	227	165	165	212.0	2xM40x1.5	150
LA160ZL	970.5	1 089.0	313.5	227	165	165	365.0	2xM40x1.5	189

Gearbox KAZS88 (3-stage), shaft-mounted design with housing flange (C-type) and shrink disk

KAZS012



d	d1	l	m4	m5	m6	m7	q1	q	g7
50 *)	50	241	29	30	34	35	144	105	132
60	60	241	29	30	34	35	144	105	132

*) Preferred series

Motor	KAZS88									Weight KAZS88
	k	kB	AC	AD	AG	LL	HH	O		
LA71	619.0	674.0	139.0	146	90	90	103.0	M20x1.5/M25x1.5	67	
LA71Z	638.0	693.0	139.0	146	90	90	103.0	M20x1.5/M25x1.5	67	
LA80	656.0	719.5	156.5	155	90	90	102.5	M20x1.5/M25x1.5	72	
LA80Z	678.5	742.0	156.5	155	90	90	175.5	M20x1.5/M25x1.5	76	
LA90S/L	687.0	758.0	174.0	163	90	90	102.5	M20x1.5/M25x1.5	76	
LA90ZL	732.0	803.0	174.0	163	90	90	226.5	M20x1.5/M25x1.5	82	
LA100L	733.0	814.0	195.0	168	120	120	143.0	2xM32x1.5	85	
LA100ZL	803.0	884.0	195.0	168	120	120	275.0	2xM32x1.5	95	
LA112M	760.0	841.0	219.0	181	120	120	146.0	2xM32x1.5	97	
LA112ZM	788.0	869.0	219.0	181	120	120	250.0	2xM32x1.5	104	
LA132S/M	820.0	922.0	259.0	195	140	140	186.5	2xM32x1.5	110	
LA132ZM	866.0	968.0	259.0	195	140	140	294.5	2xM32x1.5	131	
LA160M/L	922.5	1 041.0	313.5	227	165	165	212.0	2xM40x1.5	143	
LA160ZL	970.5	1 089.0	313.5	227	165	165	365.0	2xM40x1.5	182	

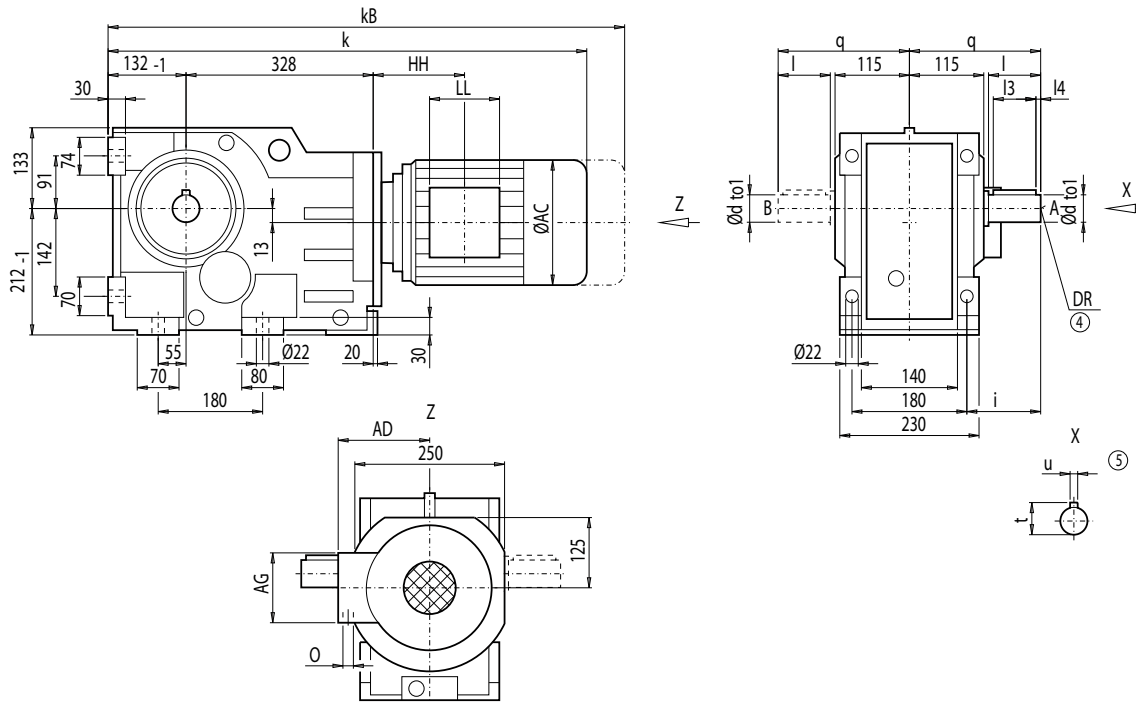
MOTOX Geared Motors

Bevel helical geared motors

Dimensions

Gearbox K108 (3-stage), housing-flange-mounted design (C-type)

K012



d	to1	l	l3	l4	t	u	i	q	DR
60 ^{*)}	m6	120	110	5	64	18	150	240	M20x42
80	m6	170	125	20	85	22	200	290	

^{*)} Preferred series

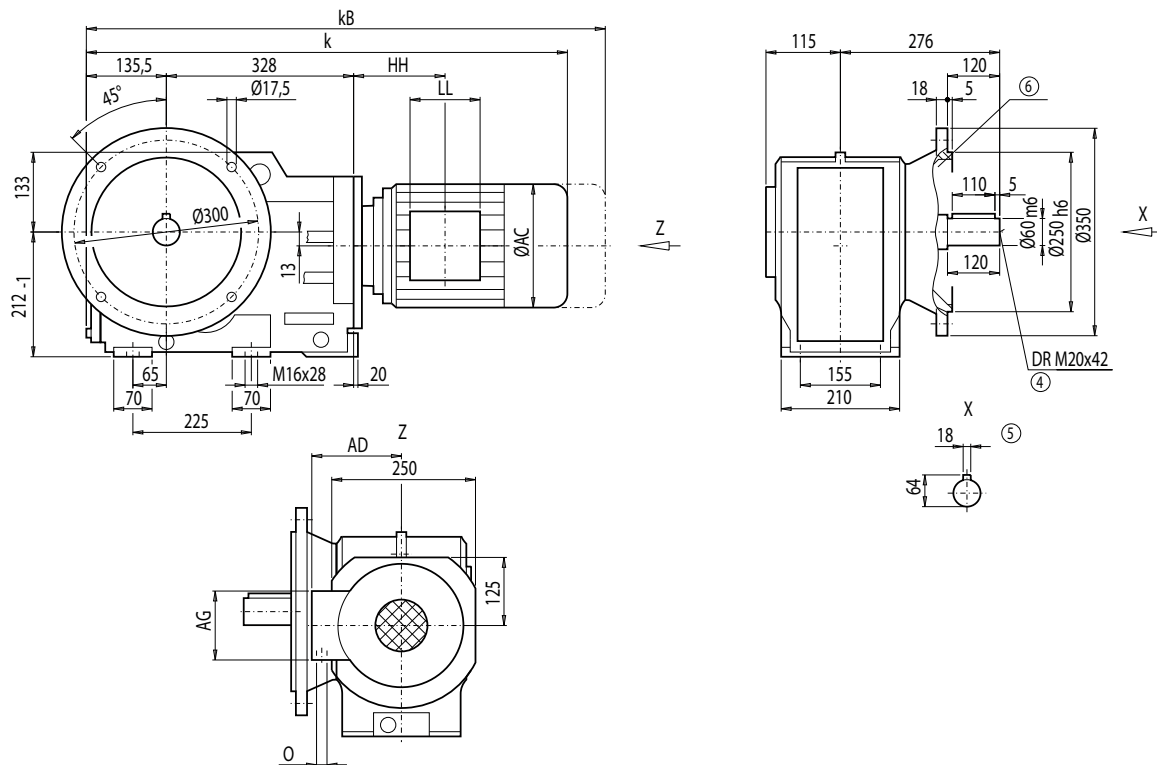
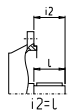
Motor	K108								Weight
	k	kB	AC	AD	AG	LL	HH	O	K108
LA80	729.0	792.5	156.5	155.0	90	90	87.5	M20x1.5/M25x1.5	133
LA80Z	751.5	815.0	156.5	155.0	90	90	160.5	M20x1.5/M25x1.5	137
LA90S/L	760.0	831.0	174.0	163.0	90	90	87.5	M20x1.5/M25x1.5	138
LA90ZL	805.0	876.0	174.0	163.0	90	90	211.5	M20x1.5/M25x1.5	144
LA100L	803.5	884.5	195.0	168.0	120	120	125.5	2xM32x1.5	146
LA100ZL	873.5	954.5	195.0	168.0	120	120	257.5	2xM32x1.5	156
LA112M	829.5	910.5	219.0	181.0	120	120	127.5	2xM32x1.5	158
LA112ZM	857.5	938.5	219.0	181.0	120	120	231.5	2xM32x1.5	165
LA132S/M	889.5	991.5	259.0	195.0	140	140	168.0	2xM32x1.5	169
LA132ZM	935.5	1 037.5	259.0	195.0	140	140	276.0	2xM32x1.5	191
LA160M/L	994.0	1 112.5	313.5	227.0	165	165	195.5	2xM40x1.5	204
LA160ZL	1 042.0	1 160.5	313.5	227.0	165	165	348.5	2xM40x1.5	243
LG180M/L	1 053.5	1 175.5	348.0	322.5	260	192	212.5	2xM40x1.5	296
LG180ZM/ZL	1 104.5	1 226.5	348.0	322.5	260	192	212.5	2xM40x1.5	326

⊗ DIN 332

⊗ Feather key / keyway DIN 6885

Gearbox KF108 (3-stage), flange-mounted design (A-type)

KF012



Motor	KF108								Weight KF108
	k	kB	AC	AD	AG	LL	HH	O	
LA80	732.5	796.0	156.5	155.0	90	90	87.5	M20x1.5/M25x1.5	146
LA80Z	755.0	818.5	156.5	155.0	90	90	160.5	M20x1.5/M25x1.5	150
LA90S/L	763.5	834.5	174.0	163.0	90	90	87.5	M20x1.5/M25x1.5	151
LA90ZL	808.5	879.5	174.0	163.0	90	90	211.5	M20x1.5/M25x1.5	157
LA100L	807.0	888.0	195.0	168.0	120	120	125.5	2xM32x1.5	159
LA100ZL	877.0	958.0	195.0	168.0	120	120	257.5	2xM32x1.5	169
LA112M	833.0	914.0	219.0	181.0	120	120	127.5	2xM32x1.5	171
LA112ZM	861.0	942.0	219.0	181.0	120	120	231.5	2xM32x1.5	178
LA132S/M	893.0	995.0	259.0	195.0	140	140	168.0	2xM32x1.5	183
LA132ZM	939.0	1 041.0	259.0	195.0	140	140	276.0	2xM32x1.5	204
LA160M/L	997.5	1 116.0	313.5	227.0	165	165	195.5	2xM40x1.5	217
LA160ZL	1 045.5	1 164.0	313.5	227.0	165	165	348.5	2xM40x1.5	256
LG180M/L	1 057.0	1 179.0	348.0	322.5	260	192	212.5	2xM40x1.5	309
LG180ZM/ZL	1 108.0	1 230.0	348.0	322.5	260	192	212.5	2xM40x1.5	339

© DIN 332

© Feather key / keyway DIN 6885

© For note, see page 4/217

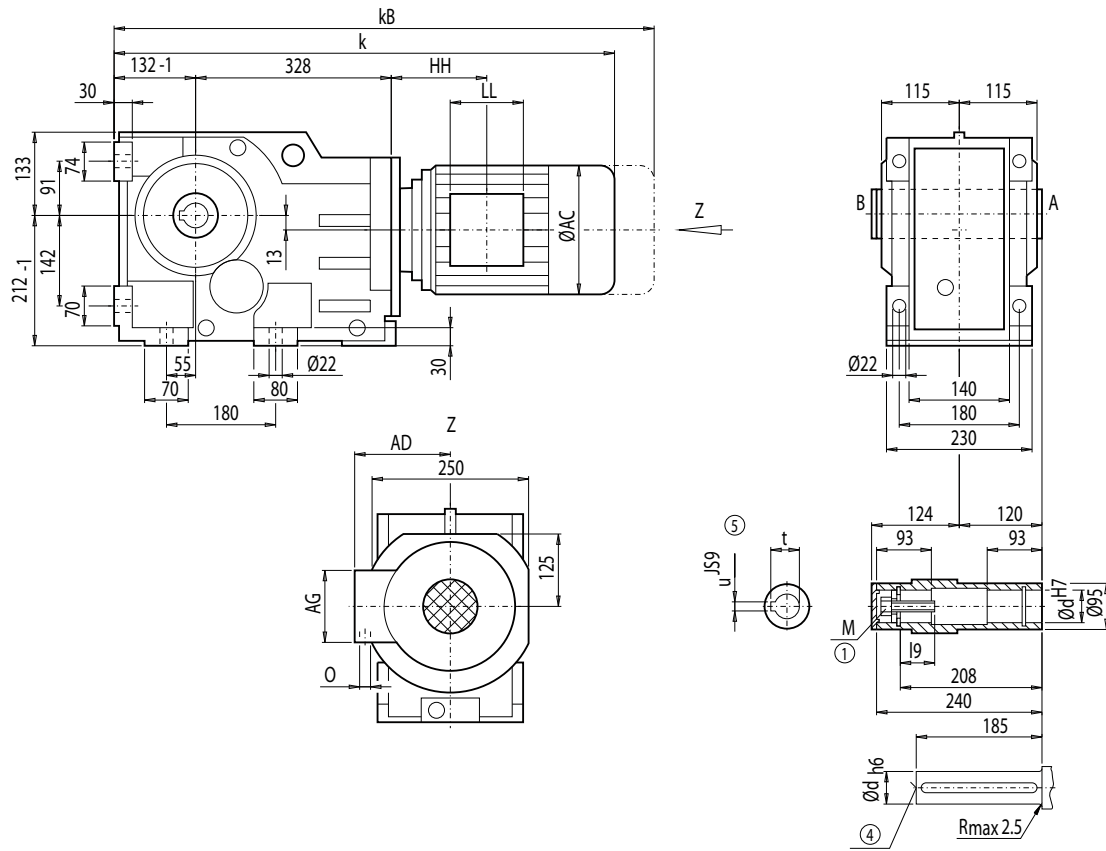
MOTOX Geared Motors

Bevel helical geared motors

Dimensions

Gearbox KA108 (3-stage), housing-flange-mounted design (C-type)

KA012



d	I9	M	t	u
60 *)	64.0	M20	64.4	18
70	63.5	M20	74.9	20

*) Preferred series

Motor	KA108								Weight
	k	kB	AC	AD	AG	LL	HH	O	KA108
LA80	729.0	792.5	156.5	155.0	90	90	87.5	M20x1.5/M25x1.5	120
LA80Z	751.5	815.0	156.5	155.0	90	90	160.5	M20x1.5/M25x1.5	124
LA90S/L	760.0	831.0	174.0	163.0	90	90	87.5	M20x1.5/M25x1.5	125
LA90ZL	805.0	876.0	174.0	163.0	90	90	211.5	M20x1.5/M25x1.5	131
LA100L	803.5	884.5	195.0	168.0	120	120	125.5	2xM32x1.5	133
LA100ZL	873.5	954.5	195.0	168.0	120	120	257.5	2xM32x1.5	143
LA112M	829.5	910.5	219.0	181.0	120	120	127.5	2xM32x1.5	145
LA112ZM	857.5	938.5	219.0	181.0	120	120	231.5	2xM32x1.5	152
LA132S/M	889.5	991.5	259.0	195.0	140	140	168.0	2xM32x1.5	157
LA132ZM	935.5	1 037.5	259.0	195.0	140	140	276.0	2xM32x1.5	178
LA160M/L	994.0	1 112.5	313.5	227.0	165	165	195.5	2xM40x1.5	191
LA160ZL	1 042.0	1 160.5	313.5	227.0	165	165	348.5	2xM40x1.5	230
LG180M/L	1 053.5	1 175.5	348.0	322.5	260	192	212.5	2xM40x1.5	283
LG180ZM/ZL	1 104.5	1 226.5	348.0	322.5	260	192	212.5	2xM40x1.5	313

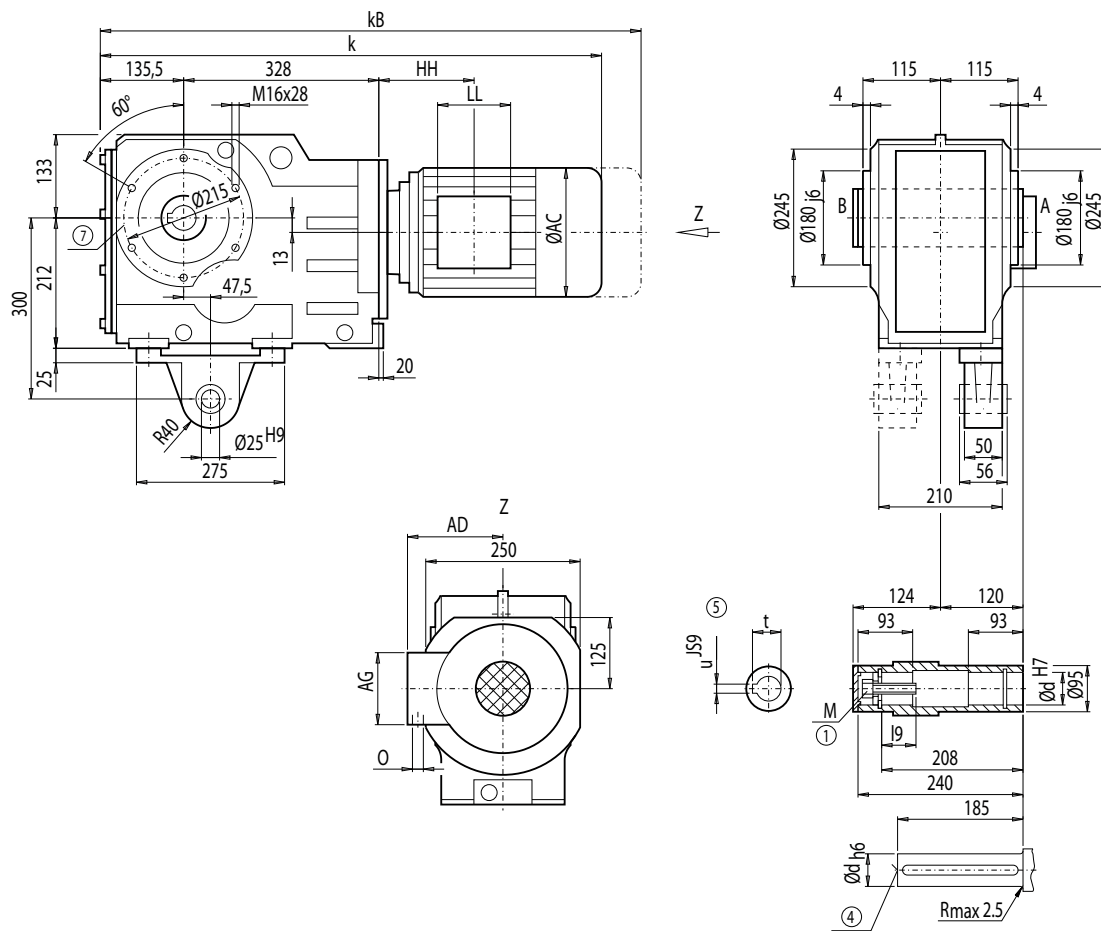
④ DIN 332

⑤ Feather key / keyway DIN 6885

① DIN EN ISO 4014

Gearbox KAD108 (3-stage), shaft-mounted design with torque arm

KAD012



d	l ₉	M	t	u
60 ^{*)}	64.0	M20	64.4	18
70	63.5	M20	74.9	20

^{*)} Preferred series

Motor	KAD108								Weight KAD108
	k	k _B	AC	AD	AG	LL	HH	O	
LA80	732.5	796.0	156.5	155.0	90	90	87.5	M20x1.5/M25x1.5	128
LA80Z	755.0	818.5	156.5	155.0	90	90	160.5	M20x1.5/M25x1.5	132
LA90S/L	763.5	834.5	174.0	163.0	90	90	87.5	M20x1.5/M25x1.5	133
LA90ZL	808.5	879.5	174.0	163.0	90	90	211.5	M20x1.5/M25x1.5	139
LA100L	807.0	888.0	195.0	168.0	120	120	125.5	2xM32x1.5	141
LA100ZL	877.0	958.0	195.0	168.0	120	120	257.5	2xM32x1.5	151
LA112M	833.0	914.0	219.0	181.0	120	120	127.5	2xM32x1.5	153
LA112ZM	861.0	942.0	219.0	181.0	120	120	231.5	2xM32x1.5	160
LA132S/M	893.0	995.0	259.0	195.0	140	140	168.0	2xM32x1.5	164
LA132ZM	939.0	1 041.0	259.0	195.0	140	140	276.0	2xM32x1.5	186
LA160M/L	997.5	1 116.0	313.5	227.0	165	165	195.5	2xM40x1.5	199
LA160ZL	1 045.5	1 164.0	313.5	227.0	165	165	348.5	2xM40x1.5	238
LG180M/L	1 057.0	1 179.0	348.0	322.5	260	192	212.5	2xM40x1.5	291
LG180ZM/ZL	1 108.0	1 230.0	348.0	322.5	260	192	212.5	2xM40x1.5	321

④ DIN 332

⑤ Feather key / keyway DIN 6885

① DIN EN ISO 4014

⑦ For note, see page 4/218

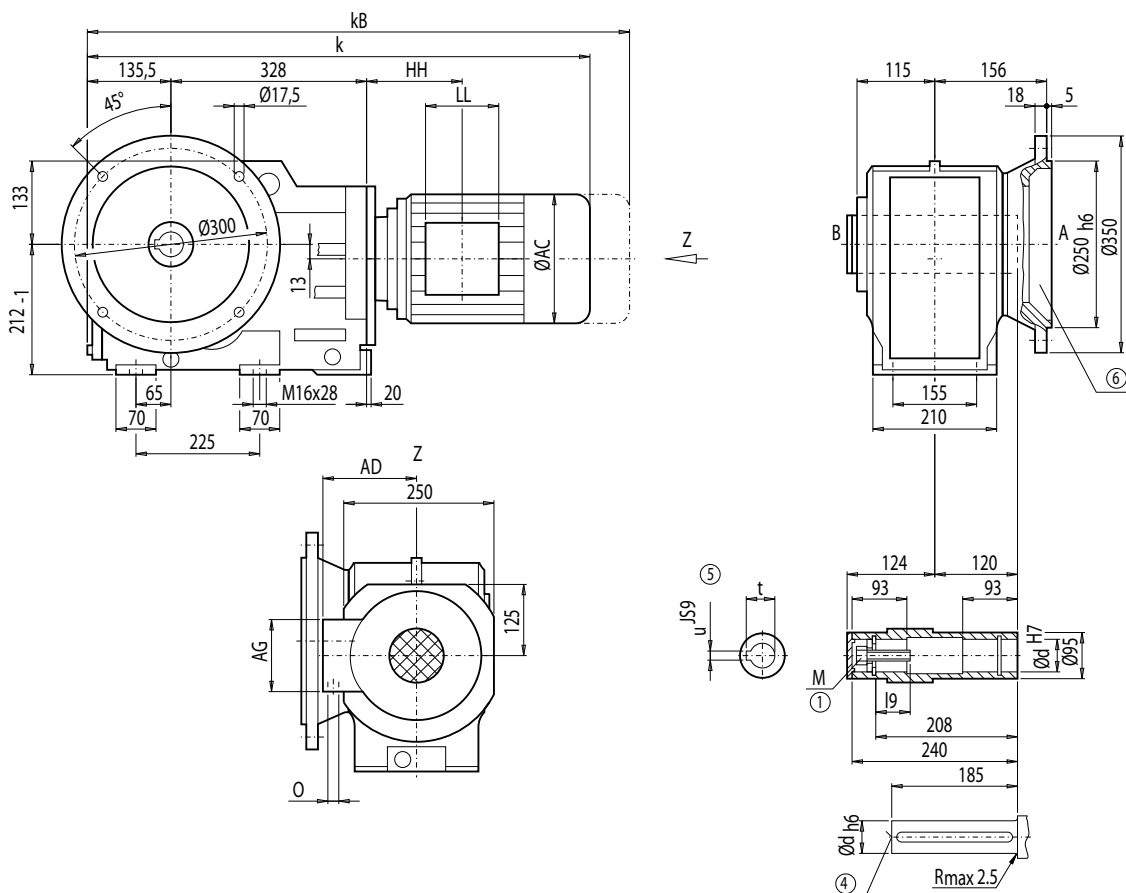
MOTOX Geared Motors

Bevel helical geared motors

Dimensions

Gearbox KAF108 (3-stage), flange-mounted design

KAF012



d	I9	M	t	u
60 *)	64.0	M20	64.4	18
70	63.5	M20	74.9	20

*) Preferred series

Motor	KAF108								Weight KAF108
	k	kB	AC	AD	AG	LL	HH	O	
LA80	732.5	796.0	156.5	155.0	90	90	87.5	M20x1.5/M25x1.5	133
LA80Z	755.0	818.5	156.5	155.0	90	90	160.5	M20x1.5/M25x1.5	137
LA90S/L	763.5	834.5	174.0	163.0	90	90	87.5	M20x1.5/M25x1.5	137
LA90ZL	808.5	879.5	174.0	163.0	90	90	211.5	M20x1.5/M25x1.5	143
LA100L	807.0	888.0	195.0	168.0	120	120	125.5	2xM32x1.5	145
LA100ZL	877.0	958.0	195.0	168.0	120	120	257.5	2xM32x1.5	155
LA112M	833.0	914.0	219.0	181.0	120	120	127.5	2xM32x1.5	158
LA112ZM	861.0	942.0	219.0	181.0	120	120	231.5	2xM32x1.5	165
LA132S/M	893.0	995.0	259.0	195.0	140	140	168.0	2xM32x1.5	169
LA132ZM	939.0	1 041.0	259.0	195.0	140	140	276.0	2xM32x1.5	190
LA160M/L	997.5	1 116.0	313.5	227.0	165	165	195.5	2xM40x1.5	204
LA160ZL	1 045.5	1 164.0	313.5	227.0	165	165	348.5	2xM40x1.5	243
LG180M/L	1 057.0	1 179.0	348.0	322.5	260	192	212.5	2xM40x1.5	296
LG180ZM/ZL	1 108.0	1 230.0	348.0	322.5	260	192	212.5	2xM40x1.5	326

④ DIN 332

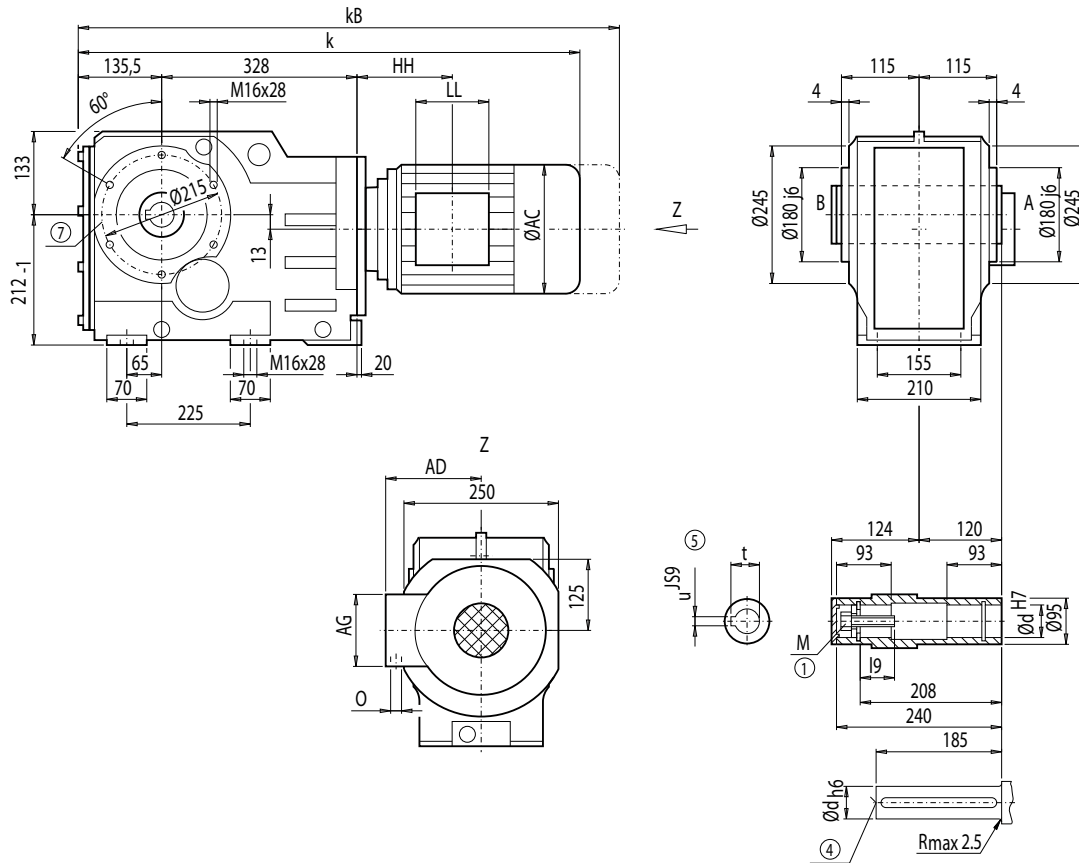
⑤ Feather key / keyway DIN 6885

① DIN EN ISO 4014

⑥ For note, see page 4/217

Gearbox KAZ108 (3-stage), shaft-mounted design with housing flange (C-type)

KAZ012



d	l9	M	t	u
60 *)	64.0	M20	64.4	18
70	63.5	M20	74.9	20

*) Preferred series

Motor	KAZ108								Weight
	k	kB	AC	AD	AG	LL	HH	O	KAZ108
LA80	732.5	796.0	156.5	155.0	90	90	87.5	M20x1.5/M25x1.5	123
LA80Z	755.0	818.5	156.5	155.0	90	90	160.5	M20x1.5/M25x1.5	127
LA90S/L	763.5	834.5	174.0	163.0	90	90	87.5	M20x1.5/M25x1.5	128
LA90ZL	808.5	879.5	174.0	163.0	90	90	211.5	M20x1.5/M25x1.5	134
LA100L	807.0	888.0	195.0	168.0	120	120	125.5	2xM32x1.5	136
LA100ZL	877.0	958.0	195.0	168.0	120	120	257.5	2xM32x1.5	146
LA112M	833.0	914.0	219.0	181.0	120	120	127.5	2xM32x1.5	148
LA112ZM	861.0	942.0	219.0	181.0	120	120	231.5	2xM32x1.5	155
LA132S/M	893.0	995.0	259.0	195.0	140	140	168.0	2xM32x1.5	160
LA132ZM	939.0	1 041.0	259.0	195.0	140	140	276.0	2xM32x1.5	181
LA160M/L	997.5	1 116.0	313.5	227.0	165	165	195.5	2xM40x1.5	194
LA160ZL	1 045.5	1 164.0	313.5	227.0	165	165	348.5	2xM40x1.5	233
LG180M/L	1 057.0	1 179.0	348.0	322.5	260	192	212.5	2xM40x1.5	286
LG180ZM/ZL	1 108.0	1 230.0	348.0	322.5	260	192	212.5	2xM40x1.5	316

④ DIN 332

⑤ Feather key / keyway DIN 6885

① DIN EN ISO 4014

⑦ For note, see page 4/218

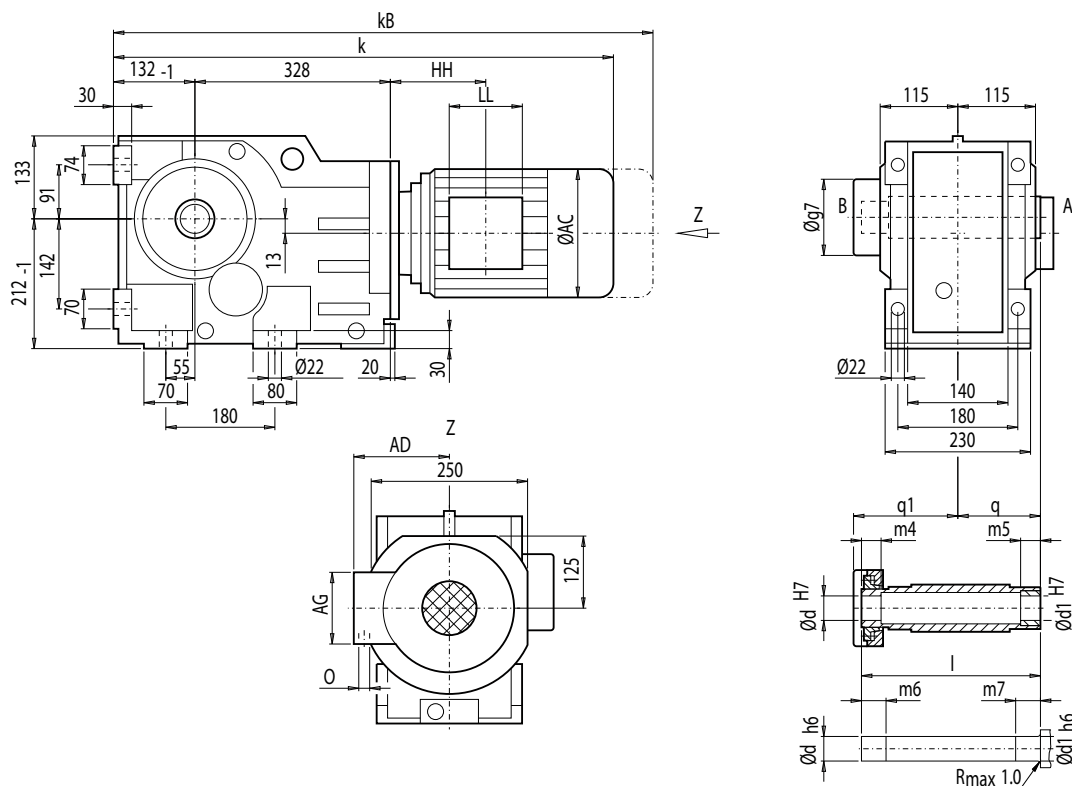
MOTOX Geared Motors

Bevel helical geared motors

Dimensions

Gearbox KAS108 (3-stage), shaft-mounted design with shrink disk

KAS012



d	d1	l	m4	m5	m6	m7	q1	q	g7
65 ^{*)}	65	280	30	40	35	45	168	120	144
70	70	280	30	40	35	45	168	120	144

^{*)} Preferred series

Motor	KAS108									Weight KAS108
	k	kB	AC	AD	AG	LL	HH	O		
LA80	729.0	792.5	156.5	155.0	90	90	87.5	M20x1.5/M25x1.5	123	
LA80Z	751.5	815.0	156.5	155.0	90	90	160.5	M20x1.5/M25x1.5	127	
LA90S/L	760.0	831.0	174.0	163.0	90	90	87.5	M20x1.5/M25x1.5	127	
LA90ZL	805.0	876.0	174.0	163.0	90	90	211.5	M20x1.5/M25x1.5	133	
LA100L	803.5	884.5	195.0	168.0	120	120	125.5	2xM32x1.5	135	
LA100ZL	873.5	954.5	195.0	168.0	120	120	257.5	2xM32x1.5	145	
LA112M	829.5	910.5	219.0	181.0	120	120	127.5	2xM32x1.5	147	
LA112ZM	857.5	938.5	219.0	181.0	120	120	231.5	2xM32x1.5	154	
LA132S/M	889.5	991.5	259.0	195.0	140	140	168.0	2xM32x1.5	159	
LA132ZM	935.5	1 037.5	259.0	195.0	140	140	276.0	2xM32x1.5	170	
LA160M/L	994.0	1 112.5	313.5	227.0	165	165	195.5	2xM40x1.5	194	
LA160ZL	1 042.0	1 160.5	313.5	227.0	165	165	348.5	2xM40x1.5	233	
LG180M/L	1 053.5	1 175.5	348.0	322.5	260	192	212.5	2xM40x1.5	286	
LG180ZM/ZL	1 104.5	1 226.5	348.0	322.5	260	192	212.5	2xM40x1.5	316	

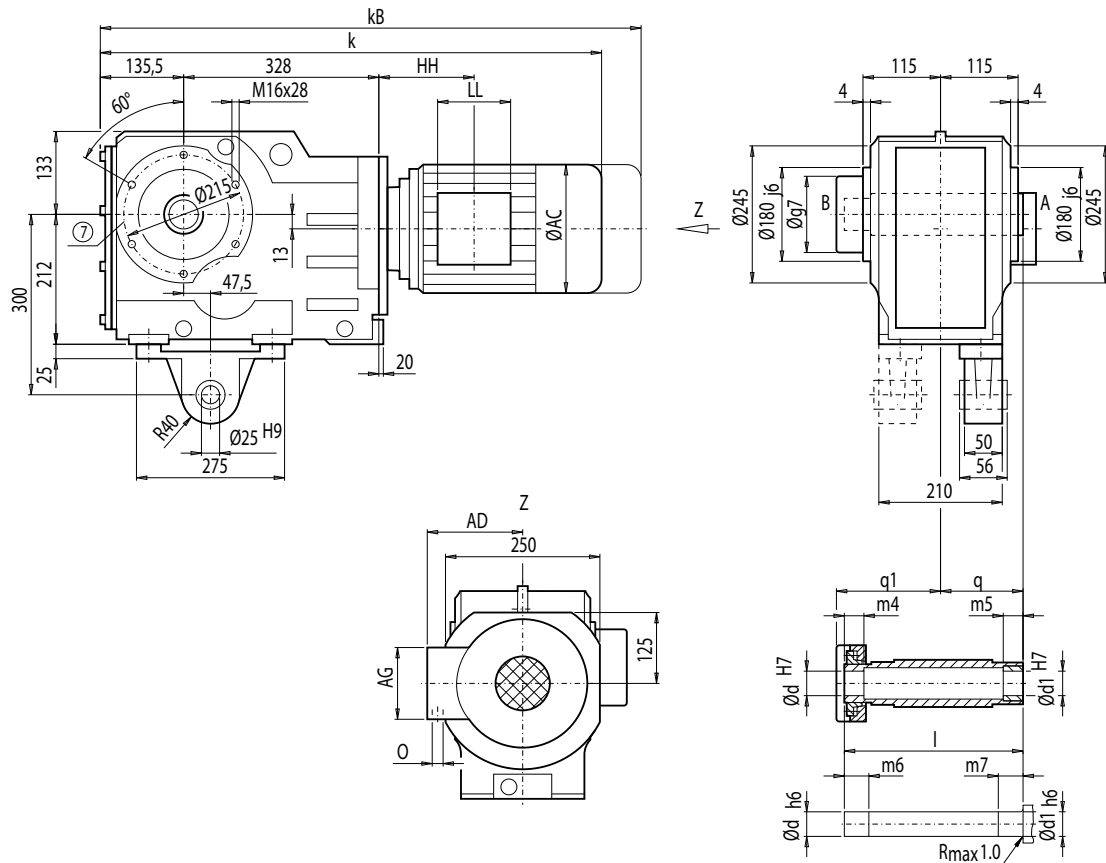
MOTOX Geared Motors

Bevel helical geared motors

Dimensions

Gearbox KADS108 (3-stage), shaft-mounted design with torque arm and shrink disk

KADS012



d	d1	l	m4	m5	m6	m7	q1	q	g7
65 ^{*)}	65	280	30	40	35	45	168	120	144
70	70	280	30	40	35	45	168	120	144

*) Preferred series

Motor	KADS108									Weight
	k	kB	AC	AD	AG	LL	HH	O	KADS108	
LA80	732.5	796.0	156.5	155.0	90	90	87.5	M20x1.5/M25x1.5	130	
LA80Z	755.0	818.5	156.5	155.0	90	90	160.5	M20x1.5/M25x1.5	134	
LA90S/L	763.5	834.5	174.0	163.0	90	90	87.5	M20x1.5/M25x1.5	135	
LA90ZL	808.5	879.5	174.0	163.0	90	90	211.5	M20x1.5/M25x1.5	141	
LA100L	807.0	888.0	195.0	168.0	120	120	125.5	2xM32x1.5	143	
LA100ZL	877.0	958.0	195.0	168.0	120	120	257.5	2xM32x1.5	153	
LA112M	833.0	914.0	219.0	181.0	120	120	127.5	2xM32x1.5	155	
LA112ZM	861.0	942.0	219.0	181.0	120	120	231.5	2xM32x1.5	162	
LA132S/M	893.0	995.0	259.0	195.0	140	140	168.0	2xM32x1.5	167	
LA132ZM	939.0	1 041.0	259.0	195.0	140	140	276.0	2xM32x1.5	188	
LA160M/L	997.5	1 116.0	313.5	227.0	165	165	195.5	2xM40x1.5	201	
LA160ZL	1 045.5	1 164.0	313.5	227.0	165	165	348.5	2xM40x1.5	240	
LG180M/L	1 057.0	1 179.0	348.0	322.5	260	192	212.5	2xM40x1.5	293	
LG180ZM/ZL	1 108.0	1 230.0	348.0	322.5	260	192	212.5	2xM40x1.5	323	

⑦ For note, see page 4/218

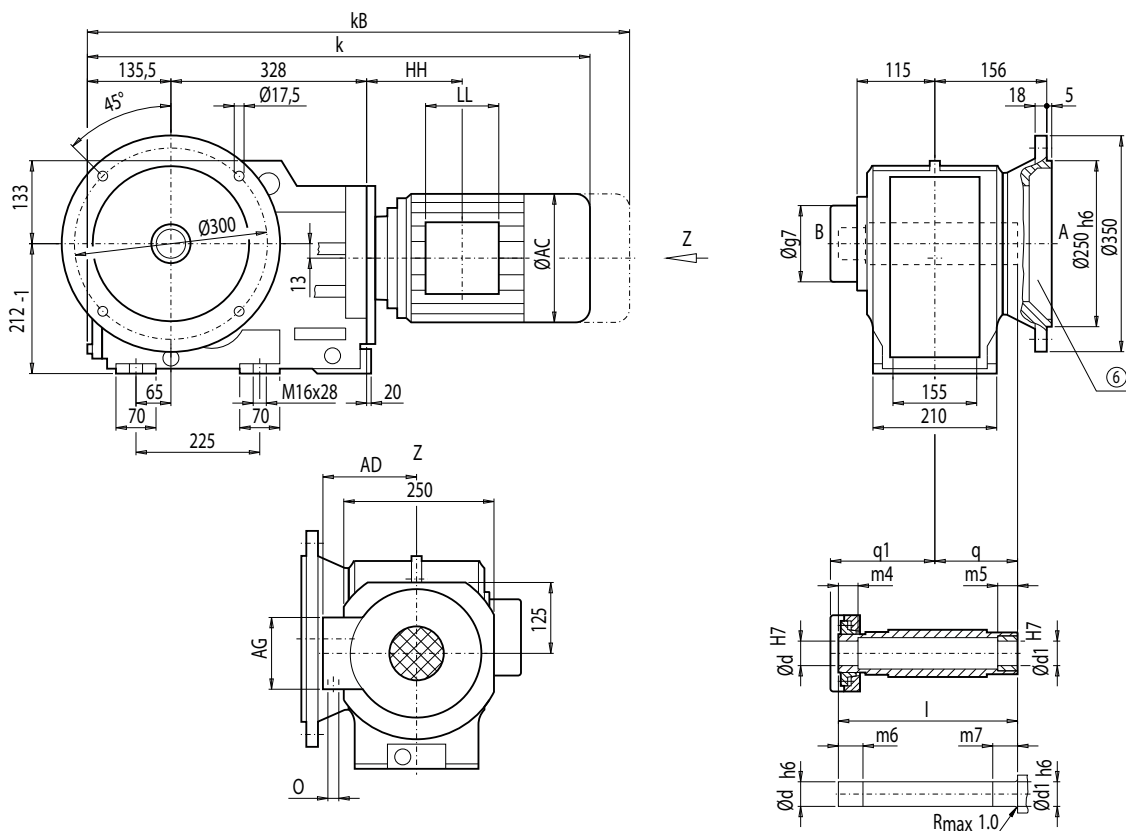
MOTOX Geared Motors

Bevel helical geared motors

Dimensions

Gearbox KAFS108 (3-stage), flange-mounted design and shrink disk

KAFS012



d	d1	l	m4	m5	m6	m7	q1	q	g7
65 *)	65	280	30	40	35	45	168	120	144
70	70	280	30	40	35	45	168	120	144

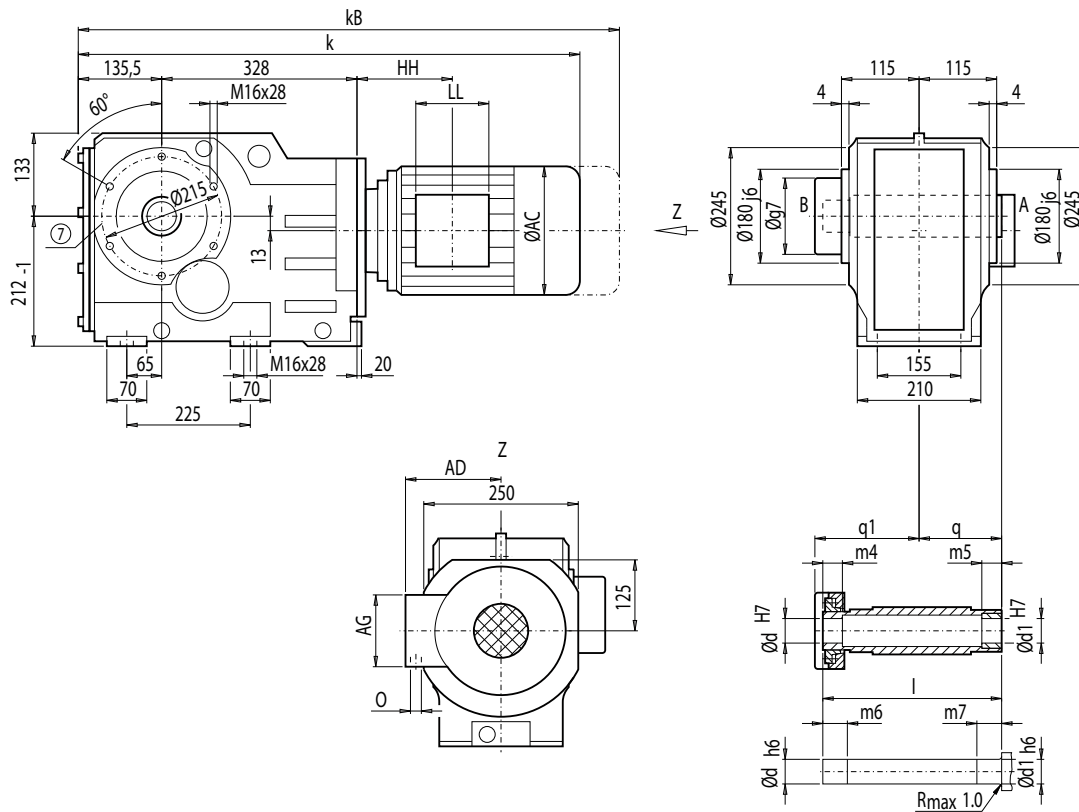
*) Preferred series

Motor	KAFS108									Weight KAFS108
	k	kB	AC	AD	AG	LL	HH	O		
LA80	732.5	796.0	156.5	155.0	90	90	87.5	M20x1.5/M25x1.5	136	
LA80Z	755.0	818.5	156.5	155.0	90	90	160.5	M20x1.5/M25x1.5	140	
LA90S/L	763.5	834.5	174.0	163.0	90	90	87.5	M20x1.5/M25x1.5	140	
LA90ZL	808.5	879.5	174.0	163.0	90	90	211.5	M20x1.5/M25x1.5	146	
LA100L	807.0	888.0	195.0	168.0	120	120	125.5	2xM32x1.5	148	
LA100ZL	877.0	958.0	195.0	168.0	120	120	257.5	2xM32x1.5	158	
LA112M	833.0	914.0	219.0	181.0	120	120	127.5	2xM32x1.5	161	
LA112ZM	861.0	942.0	219.0	181.0	120	120	231.5	2xM32x1.5	168	
LA132S/M	893.0	995.0	259.0	195.0	140	140	168.0	2xM32x1.5	172	
LA132ZM	939.0	1 041.0	259.0	195.0	140	140	276.0	2xM32x1.5	193	
LA160M/L	997.5	1 116.0	313.5	227.0	165	165	195.5	2xM40x1.5	207	
LA160ZL	1 045.5	1 164.0	313.5	227.0	165	165	348.5	2xM40x1.5	246	
LG180M/L	1 057.0	1 179.0	348.0	322.5	260	192	212.5	2xM40x1.5	299	
LG180ZM/ZL	1 108.0	1 230.0	348.0	322.5	260	192	212.5	2xM40x1.5	329	

© For note, see page 4/217

Gearbox KAZS108 (3-stage), shaft-mounted design with housing flange (C-type) and shrink disk

KAZS012



d	d1	l	m4	m5	m6	m7	q1	q	g7
65 ^{*)}	65	280	30	40	35	45	168	120	144
70	70	280	30	40	35	45	168	120	144

^{*)} Preferred series

Motor	KAZS108									Weight KAZS108
	k	kB	AC	AD	AG	LL	HH	O		
LA80	732.5	796.0	156.5	155.0	90	90	87.5	M20x1.5/M25x1.5	116	
LA80Z	755.0	818.5	156.5	155.0	90	90	160.5	M20x1.5/M25x1.5	120	
LA90S/L	763.5	834.5	174.0	163.0	90	90	87.5	M20x1.5/M25x1.5	120	
LA90ZL	808.5	879.5	174.0	163.0	90	90	211.5	M20x1.5/M25x1.5	126	
LA100L	807.0	888.0	195.0	168.0	120	120	125.5	2xM32x1.5	128	
LA100ZL	877.0	958.0	195.0	168.0	120	120	257.5	2xM32x1.5	138	
LA112M	833.0	914.0	219.0	181.0	120	120	127.5	2xM32x1.5	140	
LA112ZM	861.0	942.0	219.0	181.0	120	120	231.5	2xM32x1.5	147	
LA132S/M	893.0	995.0	259.0	195.0	140	140	168.0	2xM32x1.5	152	
LA132ZM	939.0	1 041.0	259.0	195.0	140	140	276.0	2xM32x1.5	173	
LA160M/L	997.5	1 116.0	313.5	227.0	165	165	195.5	2xM40x1.5	187	
LA160ZL	1 045.5	1 164.0	313.5	227.0	165	165	348.5	2xM40x1.5	226	
LG180M/L	1 057.0	1 179.0	348.0	322.5	260	192	212.5	2xM40x1.5	279	
LG180ZM/ZL	1 108.0	1 230.0	348.0	322.5	260	192	212.5	2xM40x1.5	309	

∅ For note, see page 4/218

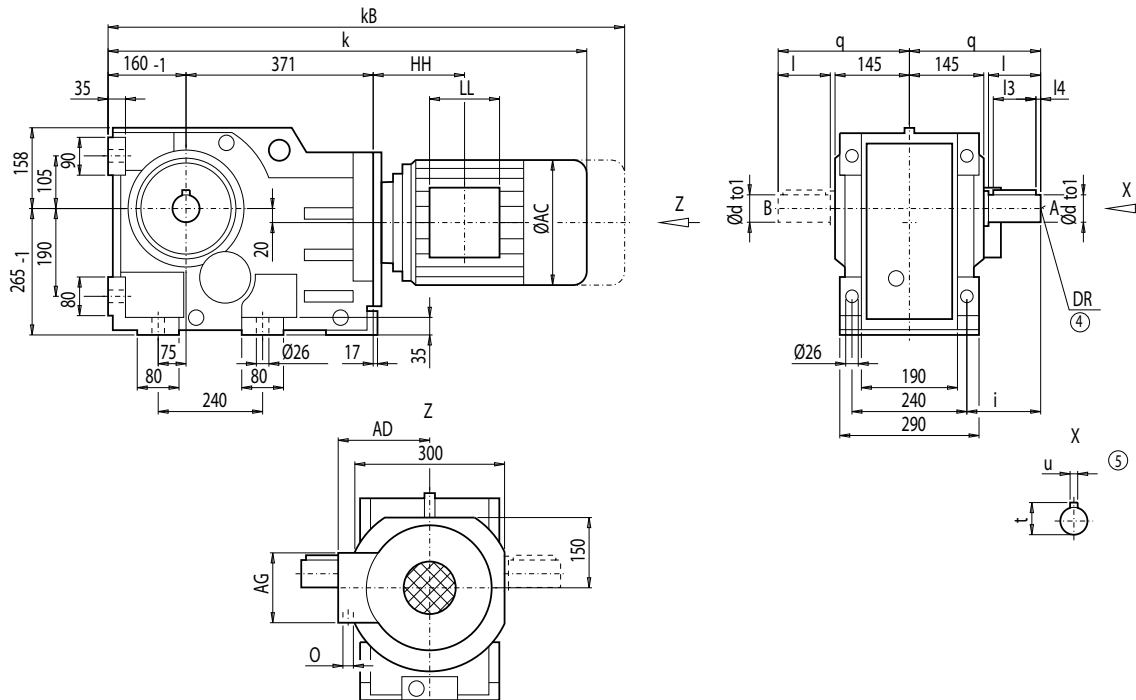
MOTEX Geared Motors

Bevel helical geared motors

Dimensions

Gearbox K128 (3-stage), housing-flange-mounted design (C-type)

K012



d	to1	l	l3	l4	t	u	i	q	DR
70 *)	m6	140	125	7.5	74.5	20	170	290	M20x42
90	m6	170	140	15.0	95.0	25	200	320	M24x50

*) Preferred series

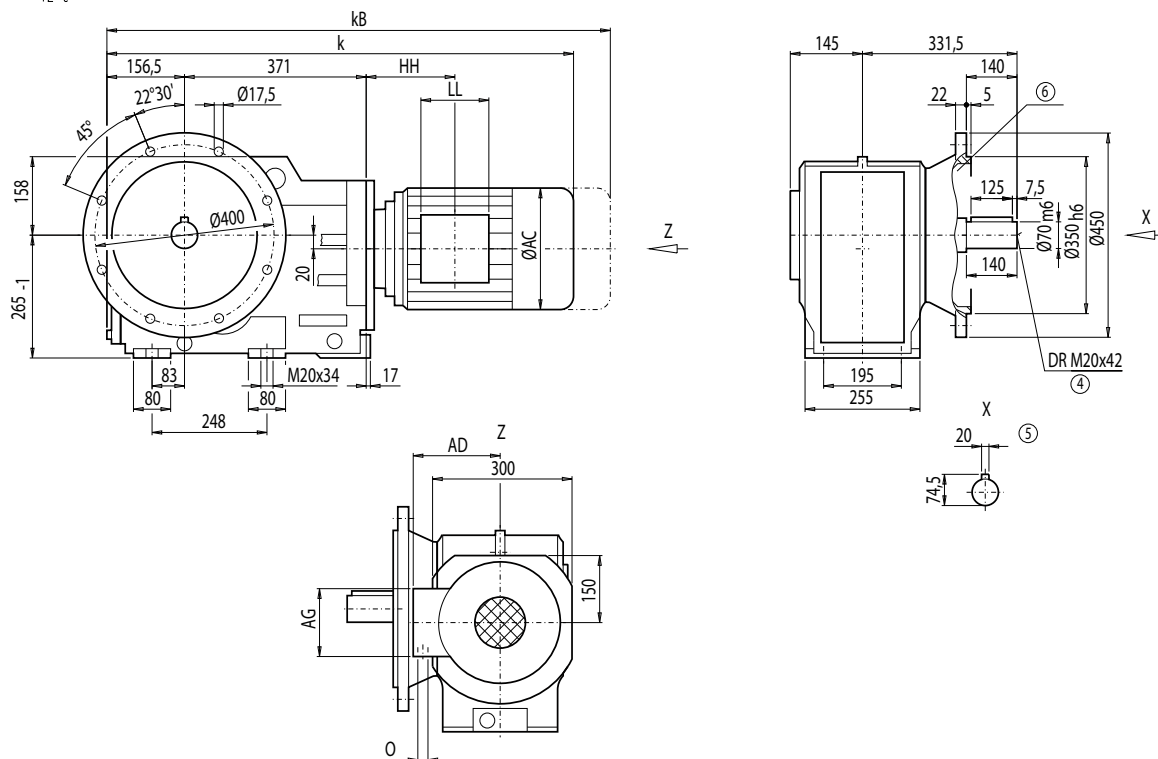
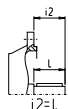
Motor	K128									Weight K128
	k	kB	AC	AD	AG	LL	HH	O		
LA90S/L	819.5	890.5	174.0	163.0	90	90	76.0	M20x1.5/M25x1.5	210	
LA90ZL	864.5	935.5	174.0	163.0	90	90	200.0	M20x1.5/M25x1.5	216	
LA100L	862.5	943.5	195.0	168.0	120	120	113.5	2xM32x1.5	218	
LA100ZL	932.5	1 013.5	195.0	168.0	120	120	245.5	2xM32x1.5	228	
LA112M	889.0	970.0	219.0	181.0	120	120	116.0	2xM32x1.5	230	
LA112ZM	917.0	998.0	219.0	181.0	120	120	220.0	2xM32x1.5	237	
LA132S/M	948.0	1 050.0	259.0	195.0	140	140	155.5	2xM32x1.5	240	
LA132ZM	994.0	1 096.0	259.0	195.0	140	140	263.5	2xM32x1.5	261	
LA160M/L	1 053.5	1 172.0	313.5	227.0	165	165	184.0	2xM40x1.5	275	
LA160ZL	1 101.5	1 220.0	313.5	227.0	165	165	337.0	2xM40x1.5	314	
LG180M/L	1 110.0	1 232.0	348.0	322.5	260	192	198.0	2xM40x1.5	371	
LG180ZM/ZL	1 161.0	1 283.0	348.0	322.5	260	192	198.0	2xM40x1.5	401	
LG200L	1 166.0	1 292.0	385.0	301.0	260	192	228.0	2xM50x1.5	451	
K4-LGI225S	1 426.5	1 665.5	442.0	325.0	260	192	443.0	2xM50x1.5	607	
K4-LGI225M	1 426.5	1 665.5	442.0	325.0	260	192	443.0	2xM50x1.5	595	
K4-LGI225ZM	1 486.5	1 725.5	442.0	325.0	260	192	443.0	2xM50x1.5	653	

⊗ DIN 332

⊗ Feather key / keyway DIN 6885

Gearbox KF128 (3-stage), flange-mounted design (A-type)

KF012



4

Motor	KF128								Weight KF128
	k	kB	AC	AD	AG	LL	HH	O	
LA90S/L	816.0	887.0	174.0	163.0	90	90	76.0	M20x1.5/M25x1.5	235
LA90ZL	861.0	932.0	174.0	163.0	90	90	200.0	M20x1.5/M25x1.5	241
LA100L	859.0	940.0	195.0	168.0	120	120	113.5	2xM32x1.5	243
LA100ZL	929.0	1 010.0	195.0	168.0	120	120	245.5	2xM32x1.5	253
LA112M	885.5	966.5	219.0	181.0	120	120	116.0	2xM32x1.5	255
LA112ZM	913.5	994.5	219.0	181.0	120	120	220.0	2xM32x1.5	262
LA132S/M	944.5	1 046.5	259.0	195.0	140	140	155.5	2xM32x1.5	265
LA132ZM	990.5	1 092.5	259.0	195.0	140	140	263.5	2xM32x1.5	287
LA160M/L	1 050.0	1 168.5	313.5	227.0	165	165	184.0	2xM40x1.5	300
LA160ZL	1 098.0	1 216.5	313.5	227.0	165	165	337.0	2xM40x1.5	339
LG180M/L	1 106.5	1 228.5	348.0	322.5	260	192	198.0	2xM40x1.5	397
LG180ZM/ZL	1 157.5	1 279.5	348.0	322.5	260	192	198.0	2xM40x1.5	427
LG200L	1 162.5	1 288.5	385.0	301.0	260	192	228.0	2xM50x1.5	477
K4-LGI225S	1 423.0	1 662.0	442.0	325.0	260	192	443.0	2xM50x1.5	633
K4-LGI225M	1 423.0	1 662.0	442.0	325.0	260	192	443.0	2xM50x1.5	621
K4-LGI225ZM	1 483.0	1 722.0	442.0	325.0	260	192	443.0	2xM50x1.5	679

④ DIN 332

⑤ Feather key / keyway DIN 6885

⑥ For note, see page 4/217

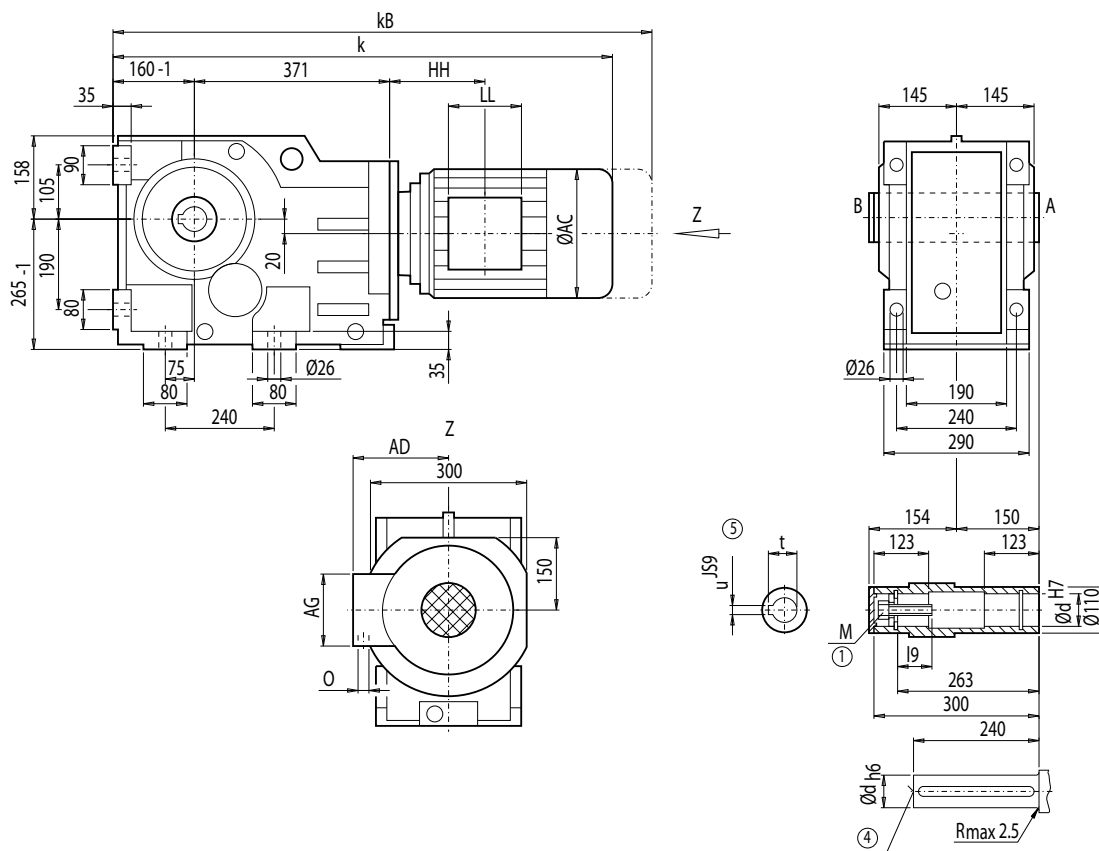
MOTEX Geared Motors

Bevel helical geared motors

Dimensions

Gearbox KA128 (3-stage), housing-flange-mounted design (C-type)

KA012



d	i9	M	t	u
70 *)	63.5	M20	74.9	20
80	63.5	M20	85.4	22

*) Preferred series

Motor	KA128								Weight
	k	kB	AC	AD	AG	LL	HH	O	KA128
LA90S/L	819.5	890.5	174.0	163.0	90	90	76.0	M20x1.5/M25x1.5	190
LA90ZL	864.5	935.5	174.0	163.0	90	90	200.0	M20x1.5/M25x1.5	196
LA100L	862.5	943.5	195.0	168.0	120	120	113.5	2xM32x1.5	198
LA100ZL	932.5	1 013.5	195.0	168.0	120	120	245.5	2xM32x1.5	208
LA112M	889.0	970.0	219.0	181.0	120	120	116.0	2xM32x1.5	210
LA112ZM	917.0	998.0	219.0	181.0	120	120	220.0	2xM32x1.5	217
LA132S/M	948.0	1 050.0	259.0	195.0	140	140	155.5	2xM32x1.5	220
LA132ZM	994.0	1 096.0	259.0	195.0	140	140	263.5	2xM32x1.5	242
LA160M/L	1 053.5	1 172.0	313.5	227.0	165	165	184.0	2xM40x1.5	255
LA160ZL	1 101.5	1 220.0	313.5	227.0	165	165	337.0	2xM40x1.5	294
LG180M/L	1 110.0	1 232.0	348.0	322.5	260	192	198.0	2xM40x1.5	352
LG180ZM/ZL	1 161.0	1 283.0	348.0	322.5	260	192	198.0	2xM40x1.5	382
LG200L	1 166.0	1 292.0	385.0	301.0	260	192	228.0	2xM50x1.5	432
K4-LGI225S	1 426.5	1 665.5	442.0	325.0	260	192	443.0	2xM50x1.5	588
K4-LGI225M	1 426.5	1 665.5	442.0	325.0	260	192	443.0	2xM50x1.5	576
K4-LGI225ZM	1 486.5	1 725.5	442.0	325.0	260	192	443.0	2xM50x1.5	634

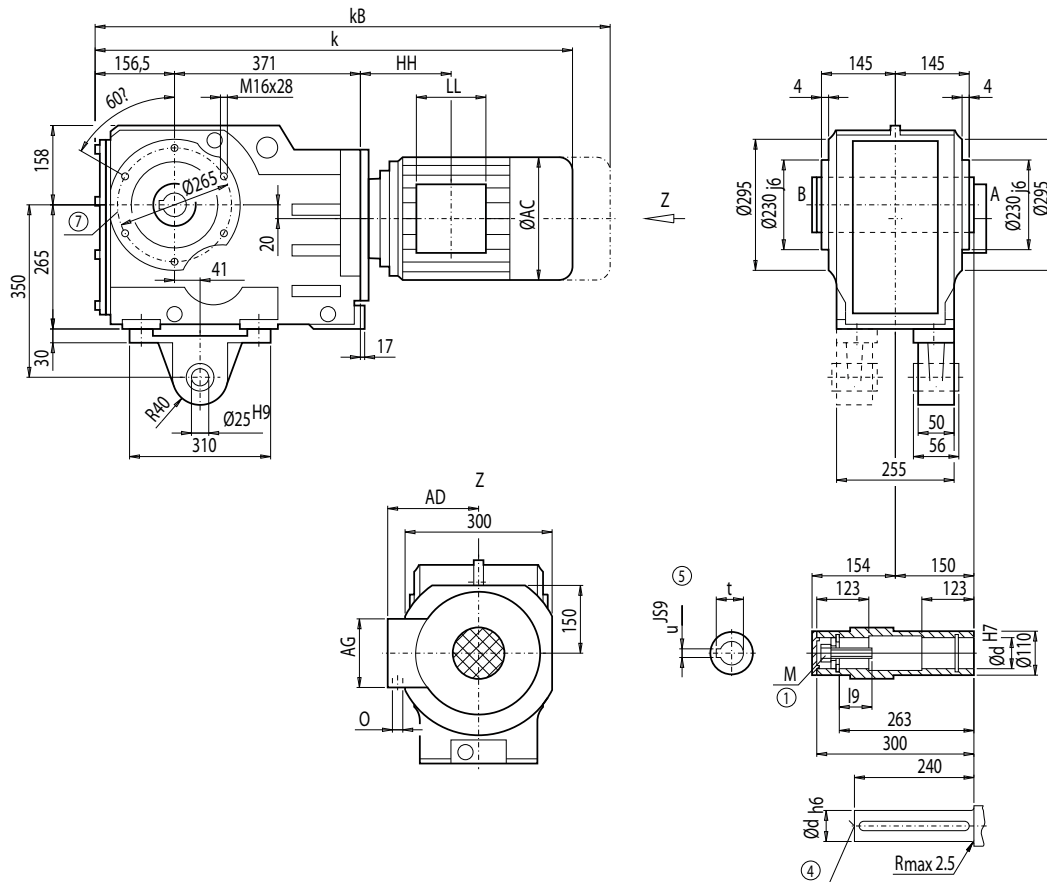
④ DIN 332

① DIN EN ISO 4014

⑤ Feather key / keyway DIN 6885

Gearbox KAD128 (3-stage), shaft-mounted design with torque arm

KAD012



d	l ₉	M	t	u
70 ^{*)}	63.5	M20	74.9	20
80	63.5	M20	85.4	22

^{*)} Preferred series

Motor	KAD128								Weight
	k	kB	AC	AD	AG	LL	HH	O	KAD128
LA90S/L	816.0	887.0	174.0	163.0	90	90	76.0	M20x1.5/M25x1.5	204
LA90ZL	861.0	932.0	174.0	163.0	90	90	200.0	M20x1.5/M25x1.5	210
LA100L	859.0	940.0	195.0	168.0	120	120	113.5	2xM32x1.5	212
LA100ZL	929.0	1 010.0	195.0	168.0	120	120	245.5	2xM32x1.5	222
LA112M	885.5	966.5	219.0	181.0	120	120	116.0	2xM32x1.5	224
LA112ZM	913.5	994.5	219.0	181.0	120	120	220.0	2xM32x1.5	231
LA132S/M	944.5	1 046.5	259.0	195.0	140	140	155.5	2xM32x1.5	235
LA132ZM	990.5	1 092.5	259.0	195.0	140	140	263.5	2xM32x1.5	256
LA160M/L	1 050.0	1 168.5	313.5	227.0	165	165	184.0	2xM40x1.5	269
LA160ZL	1 098.0	1 216.5	313.5	227.0	165	165	337.0	2xM40x1.5	308
LG180M/L	1 106.5	1 228.5	348.0	322.5	260	192	198.0	2xM40x1.5	366
LG180ZM/ZL	1 157.5	1 279.5	348.0	322.5	260	192	198.0	2xM40x1.5	396
LG200L	1 162.5	1 288.5	385.0	301.0	260	192	228.0	2xM50x1.5	446
K4-LGI225S	1 423.0	1 662.0	442.0	325.0	260	192	443.0	2xM50x1.5	602
K4-LGI225M	1 423.0	1 662.0	442.0	325.0	260	192	443.0	2xM50x1.5	590
K4-LGI225ZM	1 483.0	1 722.0	442.0	325.0	260	192	443.0	2xM50x1.5	648

④ DIN 332

① DIN EN ISO 4014

⑤ Feather key / keyway DIN 6885

⑦ For note, see page 4/218

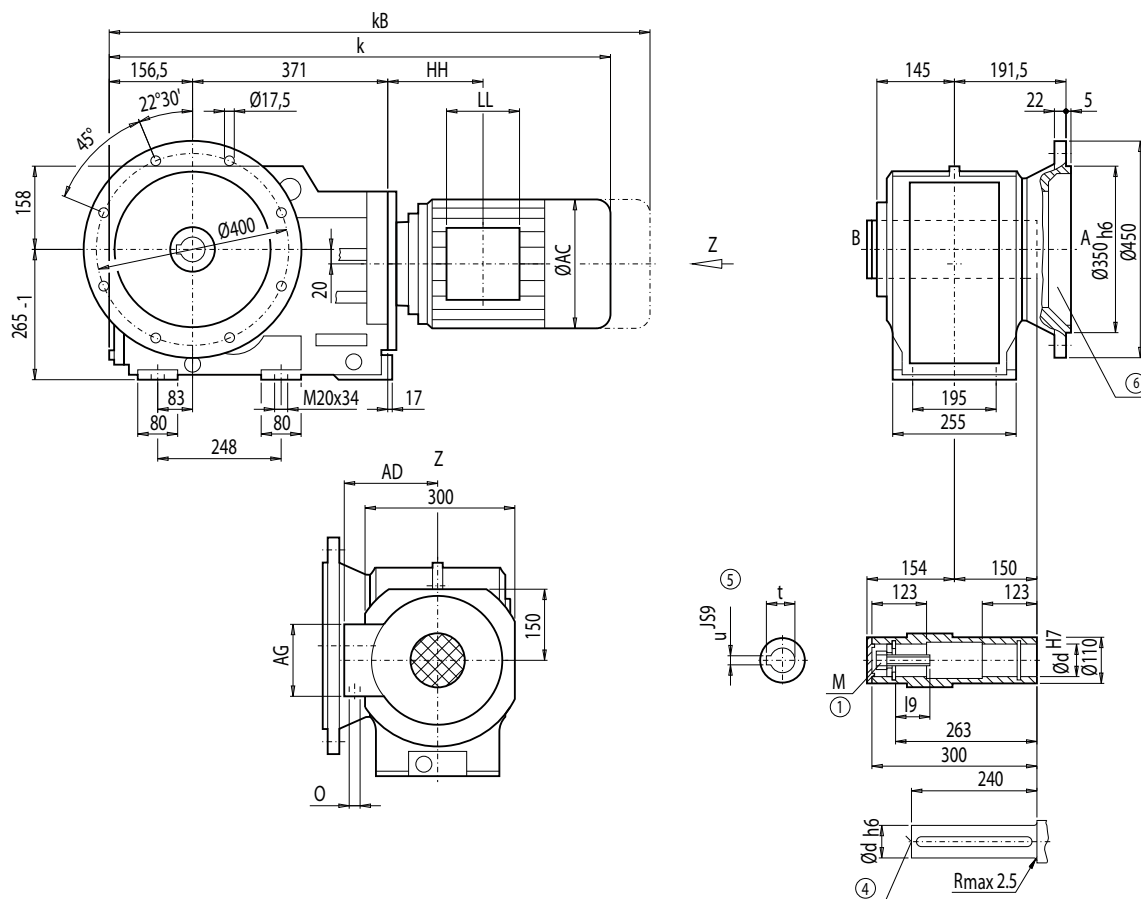
MOTEX Geared Motors

Bevel helical geared motors

Dimensions

Gearbox KAF128 (3-stage), flange-mounted design

KAF012



d	l ₉	M	t	u
70 *)	63.5	M20	74.9	20
80	63.5	M20	85.4	22

*) Preferred series

Motor	KAF128								Weight KAF128
	k	kB	AC	AD	AG	LL	HH	O	
LA90S/L	816.0	887.0	174.0	163.0	90	90	76.0	M20x1.5/M25x1.5	215
LA90ZL	861.0	932.0	174.0	163.0	90	90	200.0	M20x1.5/M25x1.5	221
LA100L	859.0	940.0	195.0	168.0	120	120	113.5	2xM32x1.5	223
LA100ZL	929.0	1 010.0	195.0	168.0	120	120	245.5	2xM32x1.5	233
LA112M	885.5	966.5	219.0	181.0	120	120	116.0	2xM32x1.5	235
LA112ZM	913.5	994.5	219.0	181.0	120	120	220.0	2xM32x1.5	242
LA132S/M	944.5	1 046.5	259.0	195.0	140	140	155.5	2xM32x1.5	246
LA132ZM	990.5	1 092.5	259.0	195.0	140	140	263.5	2xM32x1.5	267
LA160M/L	1 050.0	1 168.5	313.5	227.0	165	165	184.0	2xM40x1.5	280
LA160ZL	1 098.0	1 216.5	313.5	227.0	165	165	337.0	2xM40x1.5	319
LG180M/L	1 106.5	1 228.5	348.0	322.5	260	192	198.0	2xM40x1.5	377
LG180ZM/ZL	1 157.5	1 279.5	348.0	322.5	260	192	198.0	2xM40x1.5	407
LG200L	1 162.5	1 288.5	385.0	301.0	260	192	228.0	2xM50x1.5	457
K4-LGI225S	1 423.0	1 662.0	442.0	325.0	260	192	443.0	2xM50x1.5	603
K4-LGI225M	1 423.0	1 662.0	442.0	325.0	260	192	443.0	2xM50x1.5	601
K4-LGI225ZM	1 483.0	1 722.0	442.0	325.0	260	192	443.0	2xM50x1.5	659

④ DIN 332

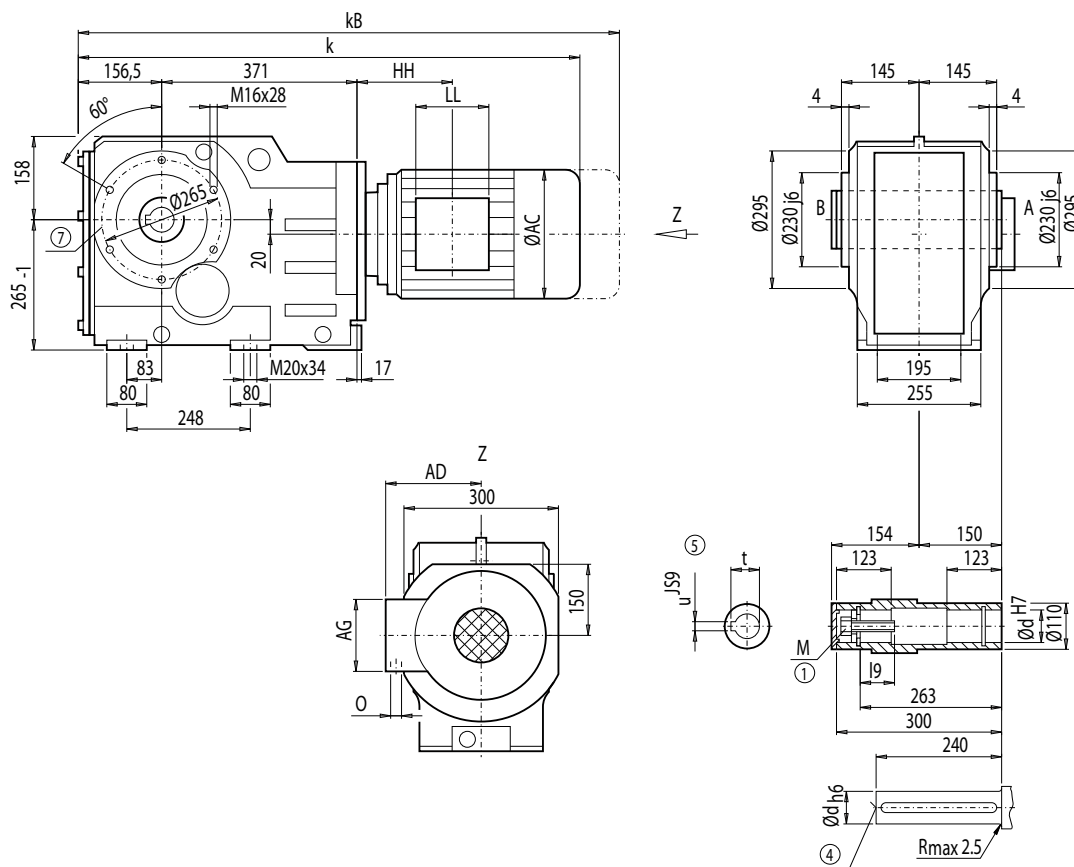
① DIN EN ISO 4014

⑤ Feather key / keyway DIN 6885

⑥ For note, see page 4/217

Gearbox KAZ128 (3-stage), shaft-mounted design with housing flange (C-type)

KAZ012



d	i9	M	t	u
70 *)	63.5	M20	74.9	20
80	63.5	M20	85.4	22

*) Preferred series

Motor	KAZ128								Weight
	k	kB	AC	AD	AG	LL	HH	O	KAZ128
LA90S/L	816.0	887.0	174.0	163.0	90	90	76.0	M20x1.5/M25x1.5	198
LA90ZL	861.0	932.0	174.0	163.0	90	90	200.0	M20x1.5/M25x1.5	204
LA100L	859.0	940.0	195.0	168.0	120	120	113.5	2xM32x1.5	206
LA100ZL	929.0	1 010.0	195.0	168.0	120	120	245.5	2xM32x1.5	216
LA112M	885.5	966.5	219.0	181.0	120	120	116.0	2xM32x1.5	218
LA112ZM	913.5	994.5	219.0	181.0	120	120	220.0	2xM32x1.5	225
LA132S/M	944.5	1 046.5	259.0	195.0	140	140	155.5	2xM32x1.5	228
LA132ZM	990.5	1 092.5	259.0	195.0	140	140	263.5	2xM32x1.5	250
LA160M/L	1 050.0	1 168.5	313.5	227.0	165	165	184.0	2xM40x1.5	263
LA160ZL	1 098.0	1 216.5	313.5	227.0	165	165	337.0	2xM40x1.5	302
LG180M/L	1 106.5	1 228.5	348.0	322.5	260	192	198.0	2xM40x1.5	360
LG180ZM/ZL	1 157.5	1 279.5	348.0	322.5	260	192	198.0	2xM40x1.5	390
LG200L	1 162.5	1 288.5	385.0	301.0	260	192	228.0	2xM50x1.5	440
K4-LGI225S	1 423.0	1 662.0	442.0	325.0	260	192	443.0	2xM50x1.5	596
K4-LGI225M	1 423.0	1 662.0	442.0	325.0	260	192	443.0	2xM50x1.5	584
K4-LGI225ZM	1 483.0	1 722.0	442.0	325.0	260	192	443.0	2xM50x1.5	642

④ DIN 332

① DIN EN ISO 4014

⑤ Feather key / keyway DIN 6885

⑦ For note, see page 4/218

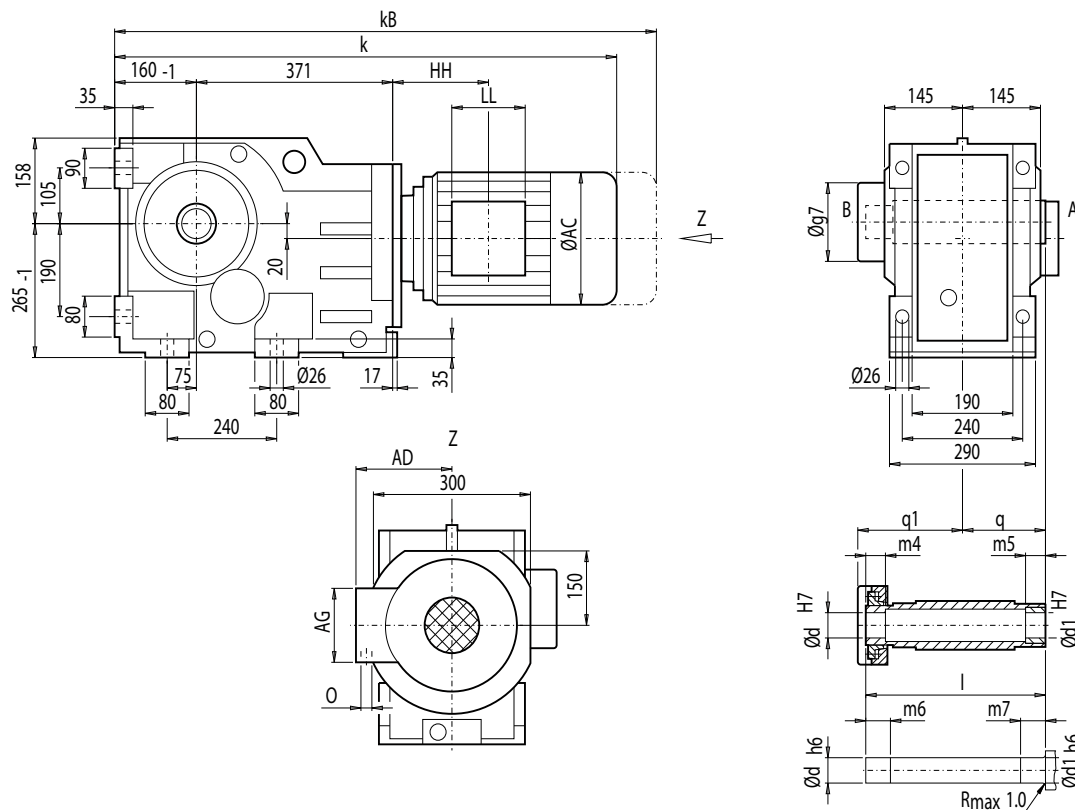
MOTEX Geared Motors

Bevel helical geared motors

Dimensions

Gearbox KAS128 (3-stage), shaft-mounted design with shrink disk

KAS012



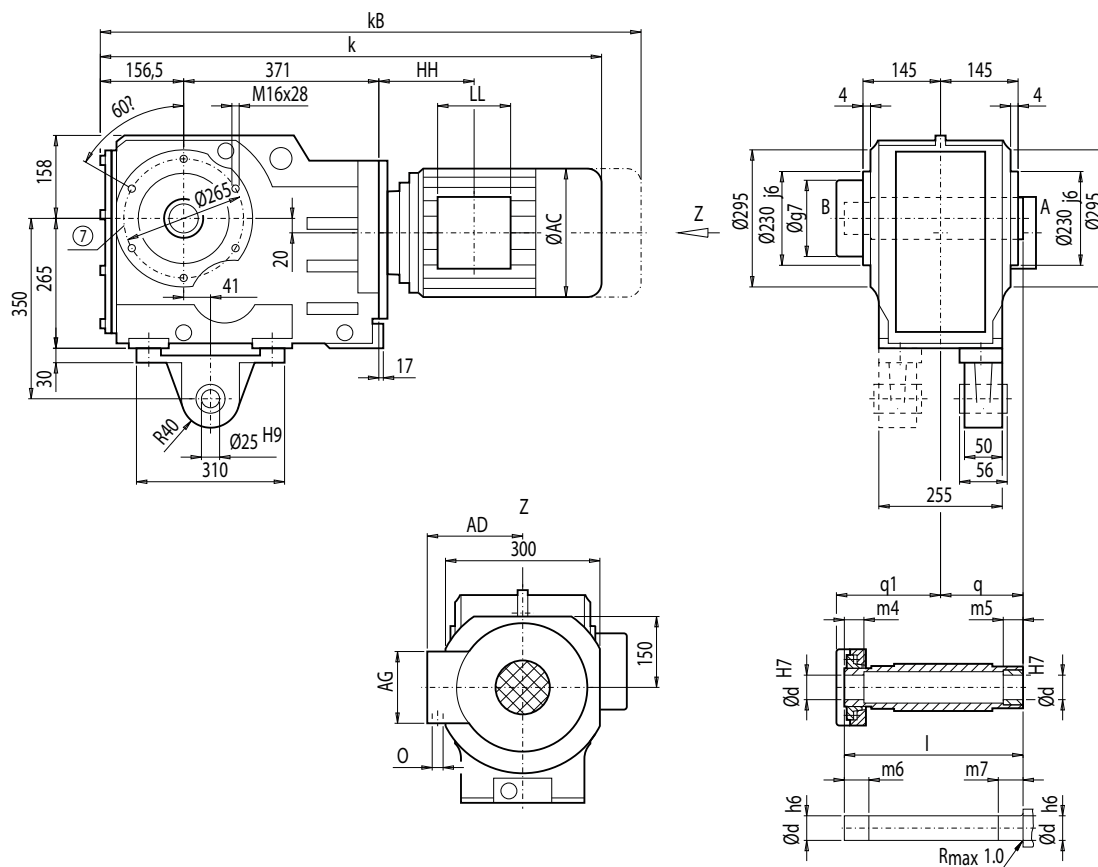
d	d1	l	m4	m5	m6	m7	q1	q	g7
75 *)	75	345	44	50	49	55	207	150	180
80	80	345	40	50	45	55	207	150	180

*) Preferred series

Motor	KAS128								Weight
	k	kB	AC	AD	AG	LL	HH	O	KAS128
LA90S/L	819.5	890.5	174.0	163.0	90	90	76.0	M20x1.5/M25x1.5	194
LA90ZL	864.5	935.5	174.0	163.0	90	90	200.0	M20x1.5/M25x1.5	200
LA100L	862.5	943.5	195.0	168.0	120	120	113.5	2xM32x1.5	202
LA100ZL	932.5	1 013.5	195.0	168.0	120	120	245.5	2xM32x1.5	212
LA112M	889.0	970.0	219.0	181.0	120	120	116.0	2xM32x1.5	214
LA112ZM	917.0	998.0	219.0	181.0	120	120	220.0	2xM32x1.5	221
LA132S/M	948.0	1 050.0	259.0	195.0	140	140	155.5	2xM32x1.5	225
LA132ZM	994.0	1 096.0	259.0	195.0	140	140	263.5	2xM32x1.5	246
LA160M/L	1 053.5	1 172.0	313.5	227.0	165	165	184.0	2xM40x1.5	259
LA160ZL	1 101.5	1 220.0	313.5	227.0	165	165	337.0	2xM40x1.5	299
LG180M/L	1 110.0	1 232.0	348.0	322.5	260	192	198.0	2xM40x1.5	356
LG180ZM/ZL	1 161.0	1 283.0	348.0	322.5	260	192	198.0	2xM40x1.5	386
LG200L	1 166.0	1 292.0	385.0	301.0	260	192	228.0	2xM50x1.5	436
K4-LGI225S	1 426.5	1 665.5	442.0	325.0	260	192	443.0	2xM50x1.5	592
K4-LGI225M	1 426.5	1 665.5	442.0	325.0	260	192	443.0	2xM50x1.5	580
K4-LGI225ZM	1 486.5	1 725.5	442.0	325.0	260	192	443.0	2xM50x1.5	638

Gearbox KADS128 (3-stage), shaft-mounted design with torque arm and shrink disk

KADS012



d	d1	l	m4	m5	m6	m7	q1	q	g7
75 *)	75	345	44	50	49	55	207	150	180
80	80	345	40	50	45	55	207	150	180

*) Preferred series

Motor	KADS128								Weight KADS128
	k	k _B	AC	AD	AG	LL	HH	O	
LA90S/L	816.0	887.0	174.0	163.0	90	90	76.0	M20x1.5/M25x1.5	209
LA90ZL	861.0	932.0	174.0	163.0	90	90	200.0	M20x1.5/M25x1.5	215
LA100L	859.0	940.0	195.0	168.0	120	120	113.5	2xM32x1.5	217
LA100ZL	929.0	1 010.0	195.0	168.0	120	120	245.5	2xM32x1.5	227
LA112M	885.5	966.5	219.0	181.0	120	120	116.0	2xM32x1.5	228
LA112ZM	913.5	994.5	219.0	181.0	120	120	220.0	2xM32x1.5	235
LA132S/M	944.5	1 046.5	259.0	195.0	140	140	155.5	2xM32x1.5	239
LA132ZM	990.5	1 092.5	259.0	195.0	140	140	263.5	2xM32x1.5	260
LA160M/L	1 050.0	1 168.5	313.5	227.0	165	165	184.0	2xM40x1.5	274
LA160ZL	1 098.0	1 216.5	313.5	227.0	165	165	337.0	2xM40x1.5	313
LG180M/L	1 106.5	1 228.5	348.0	322.5	260	192	198.0	2xM40x1.5	370
LG180ZM/ZL	1 157.5	1 279.5	348.0	322.5	260	192	198.0	2xM40x1.5	400
LG200L	1 162.5	1 288.5	385.0	301.0	260	192	228.0	2xM50x1.5	450
K4-LGI225S	1 423.0	1 662.0	442.0	325.0	260	192	443.0	2xM50x1.5	606
K4-LGI225M	1 423.0	1 662.0	442.0	325.0	260	192	443.0	2xM50x1.5	594
K4-LGI225ZM	1 483.0	1 722.0	442.0	325.0	260	192	443.0	2xM50x1.5	652

⑦ For note, see page 4/218

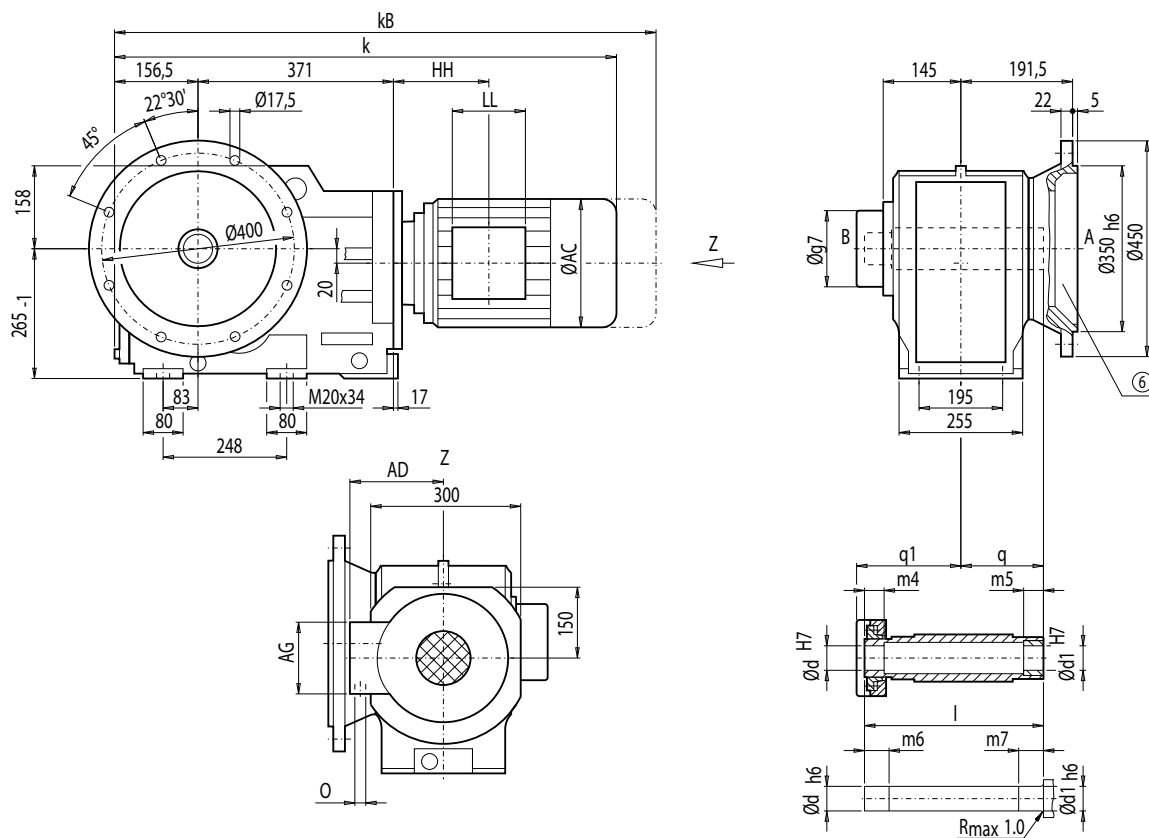
MOTOX Geared Motors

Bevel helical geared motors

Dimensions

Gearbox KAFS128 (3-stage), flange-mounted design with flange and shrink disk

KAFS012



d	d1	l	m4	m5	m6	m7	q1	q	g7
75 *)	75	345	44	50	49	55	207	150	180
80	80	345	40	50	45	55	207	150	180

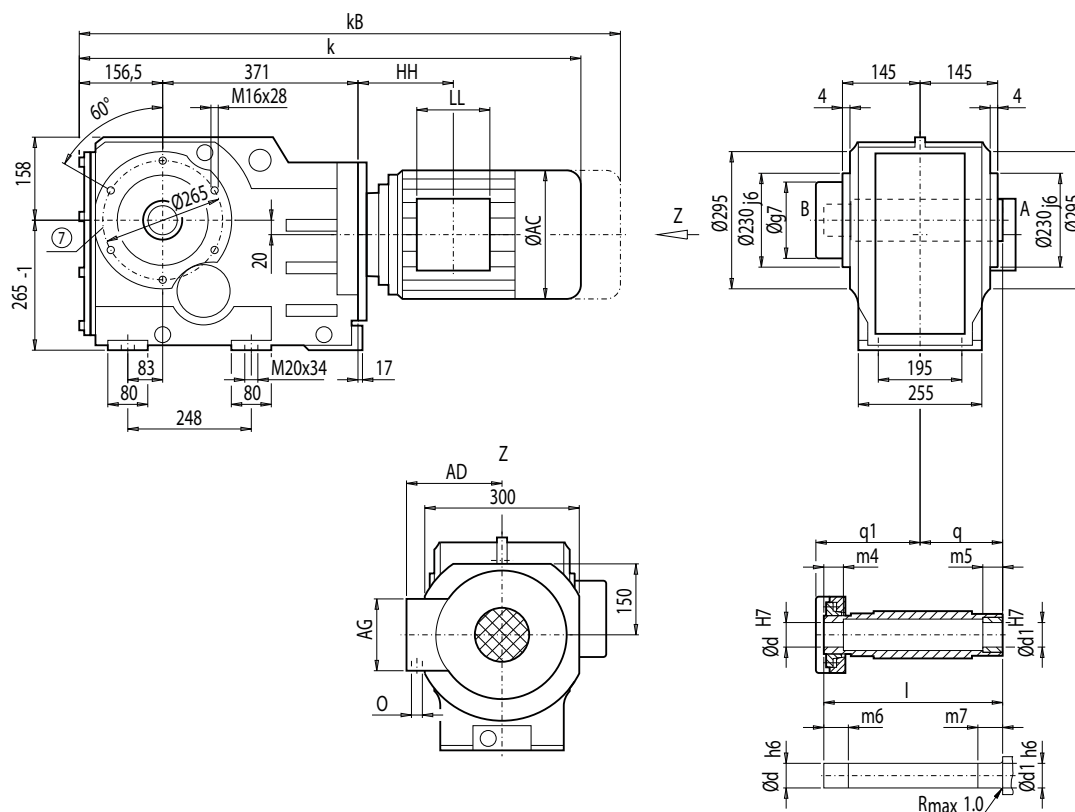
*) Preferred series

Motor	KAFS128									Weight KAFS128
	k	k _B	AC	AD	AG	LL	HH	O		
LA90S/L	816.0	887.0	174.0	163.0	90	90	76.0	M20x1.5/M25x1.5	220	
LA90ZL	861.0	932.0	174.0	163.0	90	90	200.0	M20x1.5/M25x1.5	226	
LA100L	859.0	940.0	195.0	168.0	120	120	113.5	2xM32x1.5	228	
LA100ZL	929.0	1 010.0	195.0	168.0	120	120	245.5	2xM32x1.5	238	
LA112M	885.5	966.5	219.0	181.0	120	120	116.0	2xM32x1.5	239	
LA112ZM	913.5	994.5	219.0	181.0	120	120	220.0	2xM32x1.5	246	
LA132S/M	944.5	1 046.5	259.0	195.0	140	140	155.5	2xM32x1.5	250	
LA132ZM	990.5	1 092.5	259.0	195.0	140	140	263.5	2xM32x1.5	271	
LA160M/L	1 050.0	1 168.5	313.5	227.0	165	165	184.0	2xM40x1.5	285	
LA160ZL	1 098.0	1 216.5	313.5	227.0	165	165	337.0	2xM40x1.5	324	
LG180M/L	1 106.5	1 228.5	348.0	322.5	260	192	198.0	2xM40x1.5	381	
LG180ZM/ZL	1 157.5	1 279.5	348.0	322.5	260	192	198.0	2xM40x1.5	411	
LG200L	1 162.5	1 288.5	385.0	301.0	260	192	228.0	2xM50x1.5	461	
K4-LGI225S	1 423.0	1 662.0	442.0	325.0	260	192	443.0	2xM50x1.5	617	
K4-LGI225M	1 423.0	1 662.0	442.0	325.0	260	192	443.0	2xM50x1.5	605	
K4-LGI225ZM	1 483.0	1 722.0	442.0	325.0	260	192	443.0	2xM50x1.5	663	

© For note, see page 4/217

Gearbox KAZS128 (3-stage), shaft-mounted design with housing flange (C-type) and shrink disk

KAZS012



4

d	d1	l	m4	m5	m6	m7	q1	q	g7
75 *)	75	345	44	50	49	55	207	150	180
80	80	345	40	50	45	55	207	150	180

*) Preferred series

Motor	KAZS128		AC	AD	AG	LL	HH	O	Weight KAZS128
	k	kB							
LA90S/L	816.0	887.0	174.0	163.0	90	90	76.0	M20x1.5/M25x1.5	202
LA90ZL	861.0	932.0	174.0	163.0	90	90	200.0	M20x1.5/M25x1.5	208
LA100L	859.0	940.0	195.0	168.0	120	120	113.5	2xM32x1.5	210
LA100ZL	929.0	1 010.0	195.0	168.0	120	120	245.5	2xM32x1.5	220
LA112M	885.5	966.5	219.0	181.0	120	120	116.0	2xM32x1.5	222
LA112ZM	913.5	994.5	219.0	181.0	120	120	220.0	2xM32x1.5	229
LA132S/M	944.5	1 046.5	259.0	195.0	140	140	155.5	2xM32x1.5	233
LA132ZM	990.5	1 092.5	259.0	195.0	140	140	263.5	2xM32x1.5	254
LA160M/L	1 050.0	1 168.5	313.5	227.0	165	165	184.0	2xM40x1.5	267
LA160ZL	1 098.0	1 216.5	313.5	227.0	165	165	337.0	2xM40x1.5	306
LG180M/L	1 106.5	1 228.5	348.0	322.5	260	192	198.0	2xM40x1.5	364
LG180ZM/ZL	1 157.5	1 279.5	348.0	322.5	260	192	198.0	2xM40x1.5	394
LG200L	1 162.5	1 288.5	385.0	301.0	260	192	228.0	2xM50x1.5	444
K4-LGI225S	1 423.0	1 662.0	442.0	325.0	260	192	443.0	2xM50x1.5	600
K4-LGI225M	1 423.0	1 662.0	442.0	325.0	260	192	443.0	2xM50x1.5	588
K4-LGI225ZM	1 483.0	1 722.0	442.0	325.0	260	192	443.0	2xM50x1.5	646

① For note, see page 4/218

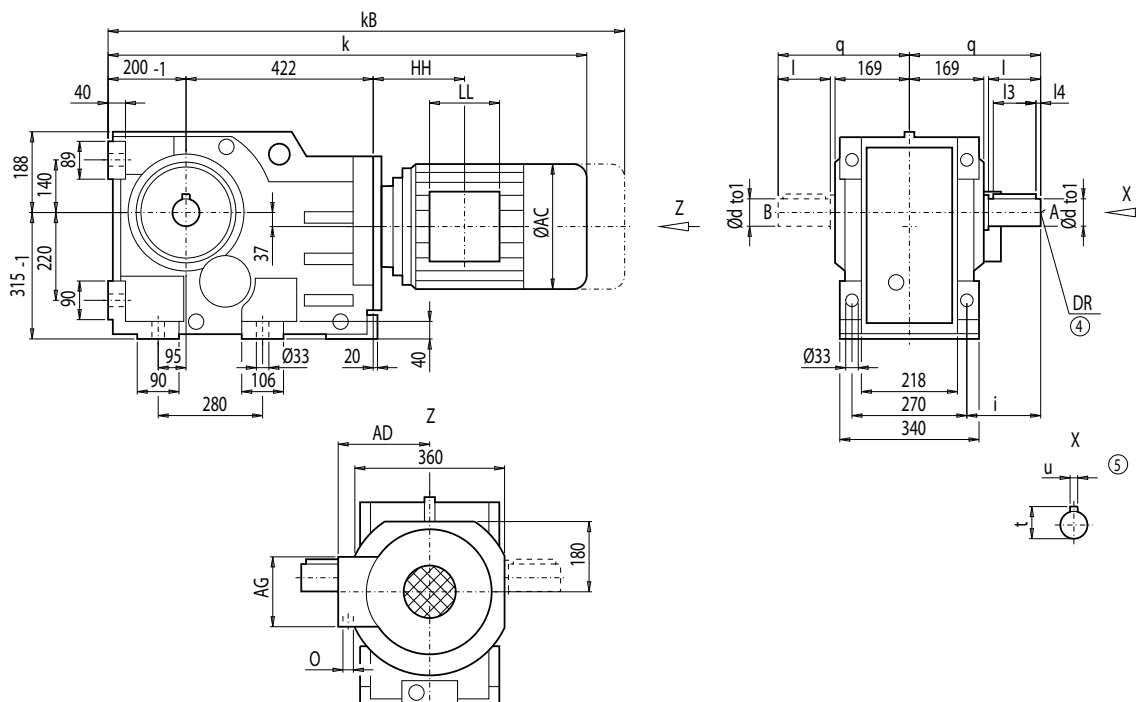
MOTEX Geared Motors

Bevel helical geared motors

Dimensions

Gearbox K148 (3-stage), housing-flange-mounted design (C-type)

K012



d	to1	l	l3	l4	t	u	i	q	DR
90 *)	m6	170	140	15	95	25	210	345	M24x50
100	m6	210	180	15	106	28	250	385	

*) Preferred series

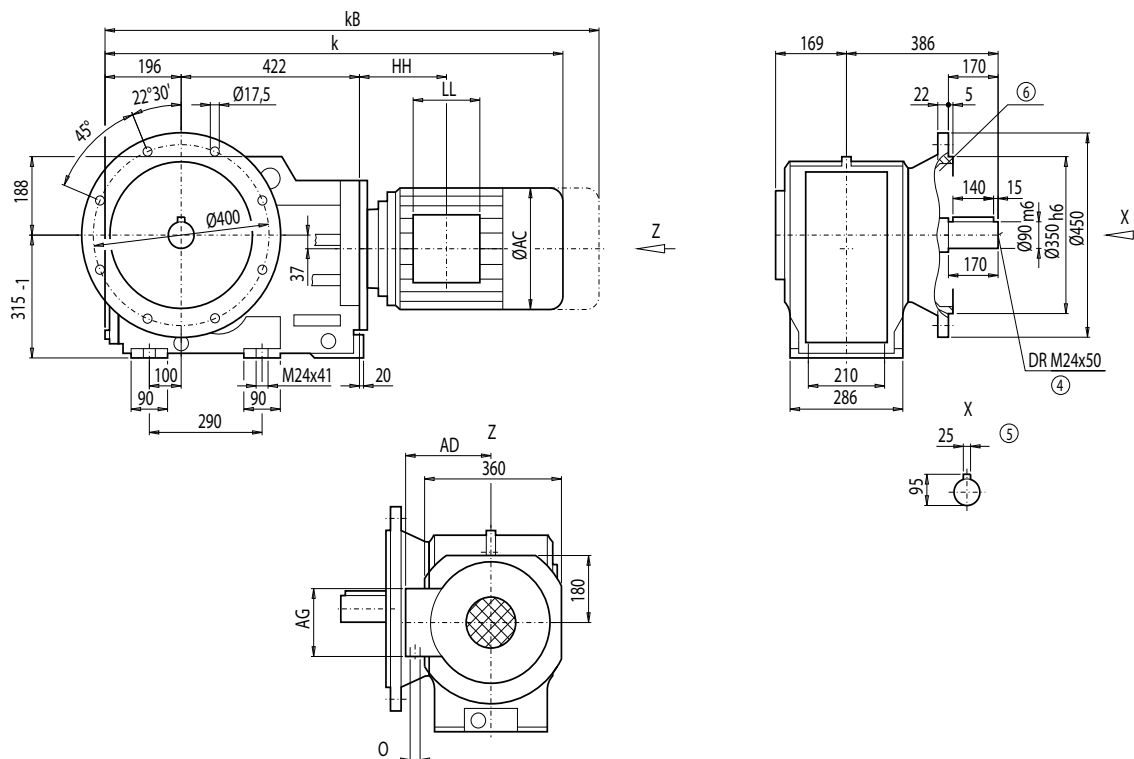
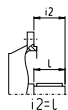
Motor	K148								Weight
	k	kB	AC	AD	AG	LL	HH	O	K148
LA100L	944.0	1 025.0	195.0	168.0	120	120	104.0	2xM32x1.5	319
LA100ZL	1 014.0	1 095.0	195.0	168.0	120	120	236.0	2xM32x1.5	329
LA112M	969.5	1 050.5	219.0	181.0	120	120	105.5	2xM32x1.5	331
LA112ZM	997.5	1 078.5	219.0	181.0	120	120	209.5	2xM32x1.5	338
LA132S/M	1 028.5	1 130.5	259.0	195.0	140	140	145.0	2xM32x1.5	340
LA132ZM	1 074.5	1 176.5	259.0	195.0	140	140	253.0	2xM32x1.5	361
LA160M/L	1 128.0	1 246.5	313.5	227.0	165	165	167.5	2xM40x1.5	379
LA160ZL	1 176.0	1 294.5	313.5	227.0	165	165	320.5	2xM40x1.5	418
LG180M/L	1 187.5	1 309.5	348.0	322.5	260	192	184.5	2xM40x1.5	470
LG180ZM/ZL	1 238.5	1 360.5	348.0	322.5	260	192	184.5	2xM40x1.5	500
LG200L	1 243.5	1 369.5	385.0	301.0	260	192	214.5	2xM50x1.5	550
LG225S	1 314.5	1 553.5	442.0	325.0	260	192	250.5	2xM50x1.5	626
LG225M	1 314.5	1 553.5	442.0	325.0	260	192	250.5	2xM50x1.5	614
LG225ZM	1 374.5	1 613.5	442.0	325.0	260	192	250.5	2xM50x1.5	672
K4-LGI250M	1 601.5	1 826.5	495.0	392.0	300	236	469.5	2xM63x1.5	794
K4-LGI250ZM	1 671.5	1 896.5	495.0	392.0	300	236	469.5	2xM63x1.5	897

④ DIN 332

⑤ Feather key / keyway DIN 6885

Gearbox KF148 (3-stage), flange-mounted design (A-type)

KF012



Motor	KF148								Weight KF148
	k	kB	AC	AD	AG	LL	HH	O	
LA100L	940.0	1 021.0	195.0	168.0	120	120	104.0	2xM32x1.5	349
LA100ZL	1 010.0	1 091.0	195.0	168.0	120	120	236.0	2xM32x1.5	359
LA112M	965.5	1 046.5	219.0	181.0	120	120	105.5	2xM32x1.5	361
LA112ZM	993.5	1 074.5	219.0	181.0	120	120	209.5	2xM32x1.5	368
LA132S/M	1 024.5	1 126.5	259.0	195.0	140	140	145.0	2xM32x1.5	370
LA132ZM	1 070.5	1 172.5	259.0	195.0	140	140	253.0	2xM32x1.5	391
LA160M/L	1 124.0	1 242.5	313.5	227.0	165	165	167.5	2xM40x1.5	409
LA160ZL	1 172.0	1 290.5	313.5	227.0	165	165	320.5	2xM40x1.5	448
LG180M/L	1 183.5	1 305.5	348.0	322.5	260	192	184.5	2xM40x1.5	500
LG180ZM/ZL	1 234.5	1 356.5	348.0	322.5	260	192	184.5	2xM40x1.5	530
LG200L	1 239.5	1 365.5	385.0	301.0	260	192	214.5	2xM50x1.5	580
LG225S	1 310.5	1 549.5	442.0	325.0	260	192	250.5	2xM50x1.5	656
LG225M	1 310.5	1 549.5	442.0	325.0	260	192	250.5	2xM50x1.5	644
LG225ZM	1 370.5	1 609.5	442.0	325.0	260	192	250.5	2xM50x1.5	702
K4-LGI250M	1 597.5	1 822.5	495.0	392.0	300	236	469.5	2xM63x1.5	824
K4-LGI250ZM	1 667.5	1 892.5	495.0	392.0	300	236	469.5	2xM63x1.5	927

④ DIN 332

⑤ Feather key / keyway DIN 6885

⑥ For note, see page 4/217

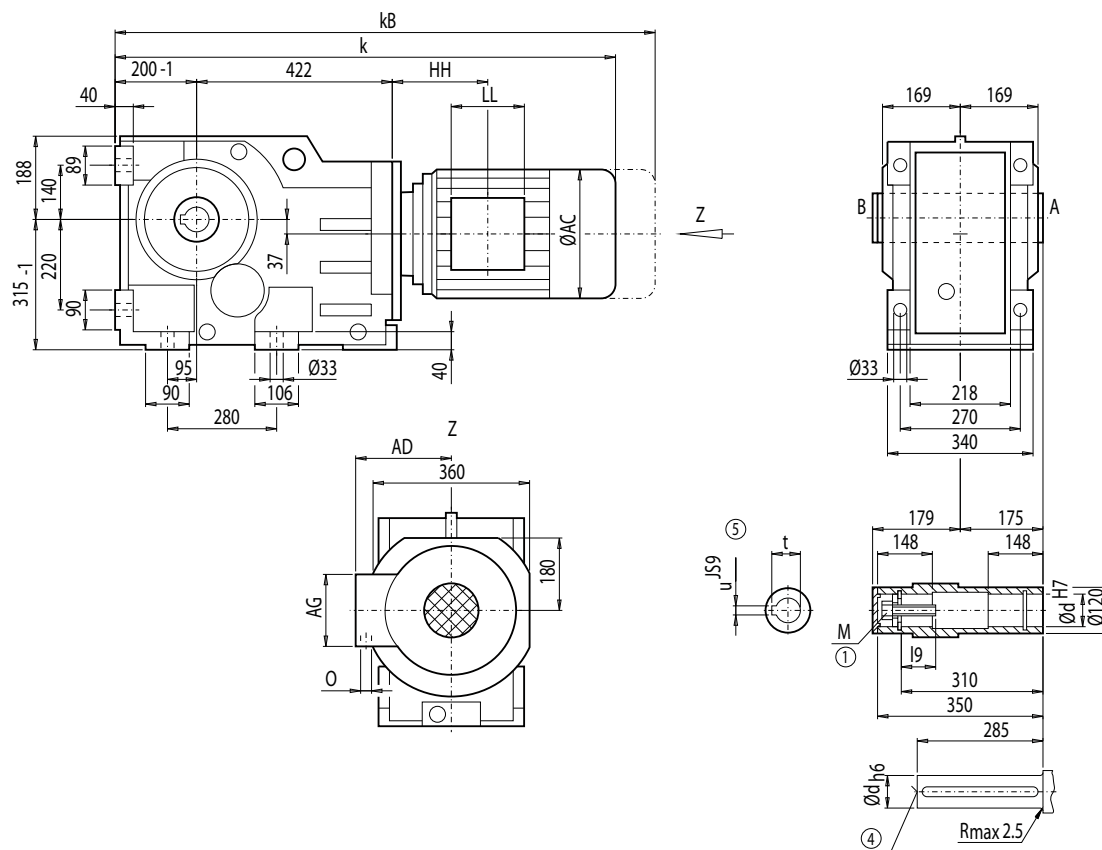
MOTEX Geared Motors

Bevel helical geared motors

Dimensions

Gearbox KA148 (3-stage), housing-flange-mounted design (C-type)

KA012



d	l9	M	t	u
80 *)	63.5	M20	85.4	22
90	72.0	M24	95.4	25

*) Preferred series

Motor	KA148								Weight KA148
	k	kB	AC	AD	AG	LL	HH	O	
LA100L	944.0	1 025.0	195.0	168.0	120	120	104.0	2xM32x1.5	291
LA100ZL	1 014.0	1 095.0	195.0	168.0	120	120	236.0	2xM32x1.5	301
LA112M	969.5	1 050.5	219.0	181.0	120	120	105.5	2xM32x1.5	303
LA112ZM	997.5	1 078.5	219.0	181.0	120	120	209.5	2xM32x1.5	310
LA132S/M	1 028.5	1 130.5	259.0	195.0	140	140	145.0	2xM32x1.5	312
LA132ZM	1 074.5	1 176.5	259.0	195.0	140	140	253.0	2xM32x1.5	333
LA160M/L	1 128.0	1 246.5	313.5	227.0	165	165	167.5	2xM40x1.5	351
LA160ZL	1 176.0	1 294.5	313.5	227.0	165	165	320.5	2xM40x1.5	390
LG180M/L	1 187.5	1 309.5	348.0	322.5	260	192	184.5	2xM40x1.5	442
LG180ZM/ZL	1 238.5	1 360.5	348.0	322.5	260	192	184.5	2xM40x1.5	472
LG200L	1 243.5	1 369.5	385.0	301.0	260	192	214.5	2xM50x1.5	522
LG225S	1 314.5	1 553.5	442.0	325.0	260	192	250.5	2xM50x1.5	598
LG225M	1 314.5	1 553.5	442.0	325.0	260	192	250.5	2xM50x1.5	586
LG225ZM	1 374.5	1 613.5	442.0	325.0	260	192	250.5	2xM50x1.5	644
K4-LGI250M	1 601.5	1 826.5	495.0	392.0	300	236	469.5	2xM63x1.5	766
K4-LGI250ZM	1 671.5	1 896.5	495.0	392.0	300	236	469.5	2xM63x1.5	869

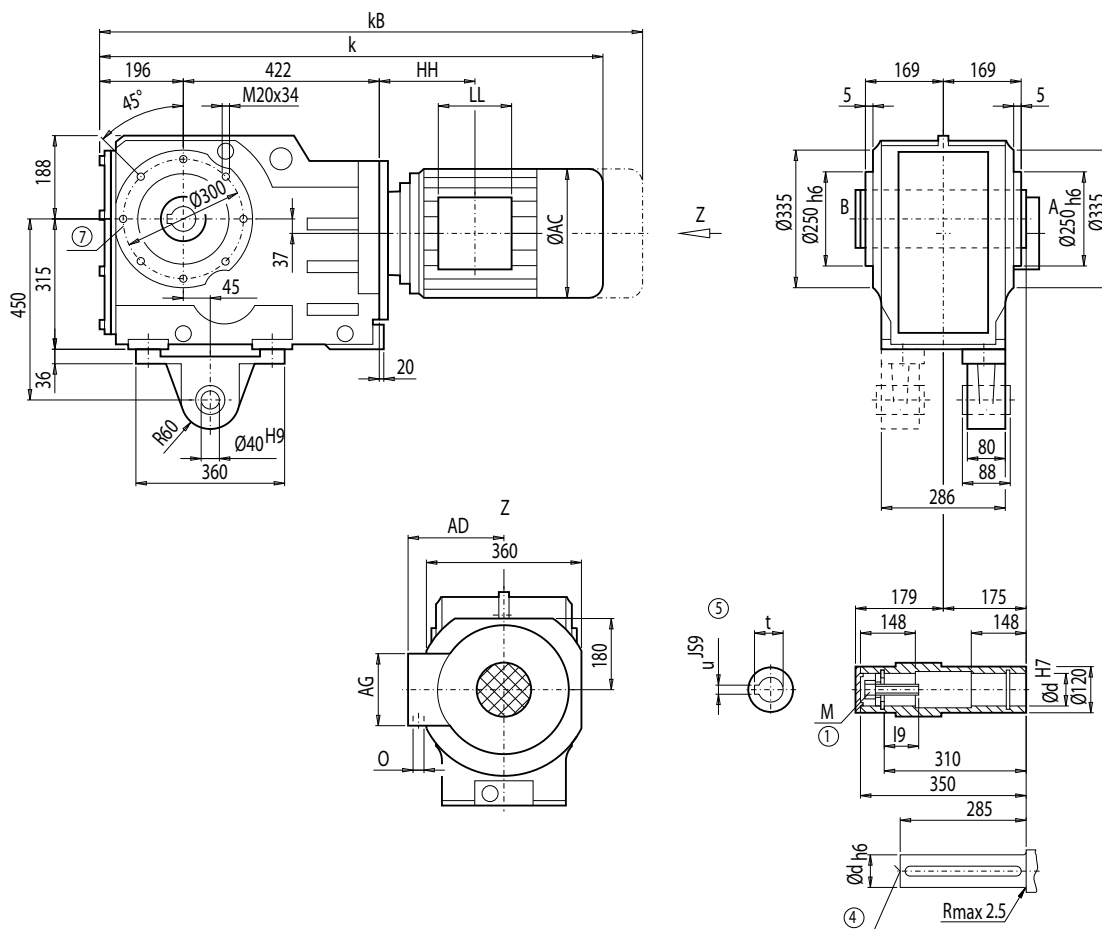
① DIN EN ISO 4014

② DIN 332

③ Feather key / keyway DIN 6885

Gearbox KAD148 (3-stage), shaft-mounted design with torque arm

KAD012



d	l ₉	M	t	u
80 *)	63.5	M20	85.4	22
90	72.0	M24	95.4	25

*) Preferred series

Motor	KAD148								Weight KAD148
	k	k _B	AC	AD	AG	LL	HH	O	
LA100L	940.0	1 021.0	195.0	168.0	120	120	104.0	2xM32x1.5	319
LA100ZL	1 010.0	1 091.0	195.0	168.0	120	120	236.0	2xM32x1.5	329
LA112M	965.5	1 046.5	219.0	181.0	120	120	105.5	2xM32x1.5	330
LA112ZM	993.5	1 074.5	219.0	181.0	120	120	209.5	2xM32x1.5	337
LA132S/M	1 024.5	1 126.5	259.0	195.0	140	140	145.0	2xM32x1.5	339
LA132ZM	1 070.5	1 172.5	259.0	195.0	140	140	253.0	2xM32x1.5	361
LA160M/L	1 124.0	1 242.5	313.5	227.0	165	165	167.5	2xM40x1.5	379
LA160ZL	1 172.0	1 290.5	313.5	227.0	165	165	320.5	2xM40x1.5	418
LG180M/L	1 183.5	1 305.5	348.0	322.5	260	192	184.5	2xM40x1.5	470
LG180ZM/ZL	1 234.5	1 356.5	348.0	322.5	260	192	184.5	2xM40x1.5	500
LG200L	1 239.5	1 365.5	385.0	301.0	260	192	214.5	2xM50x1.5	550
LG225S	1 310.5	1 549.5	442.0	325.0	260	192	250.5	2xM50x1.5	626
LG225M	1 310.5	1 549.5	442.0	325.0	260	192	250.5	2xM50x1.5	614
LG225ZM	1 370.5	1 609.5	442.0	325.0	260	192	250.5	2xM50x1.5	672
K4-LGI250M	1 597.5	1 822.5	495.0	392.0	300	236	469.5	2xM63x1.5	794
K4-LGI250ZM	1 667.5	1 892.5	495.0	392.0	300	236	469.5	2xM63x1.5	897

④ DIN 332

① DIN EN ISO 4014

⑤ Feather key / keyway DIN 6885

⑦ For note, see page 4/218

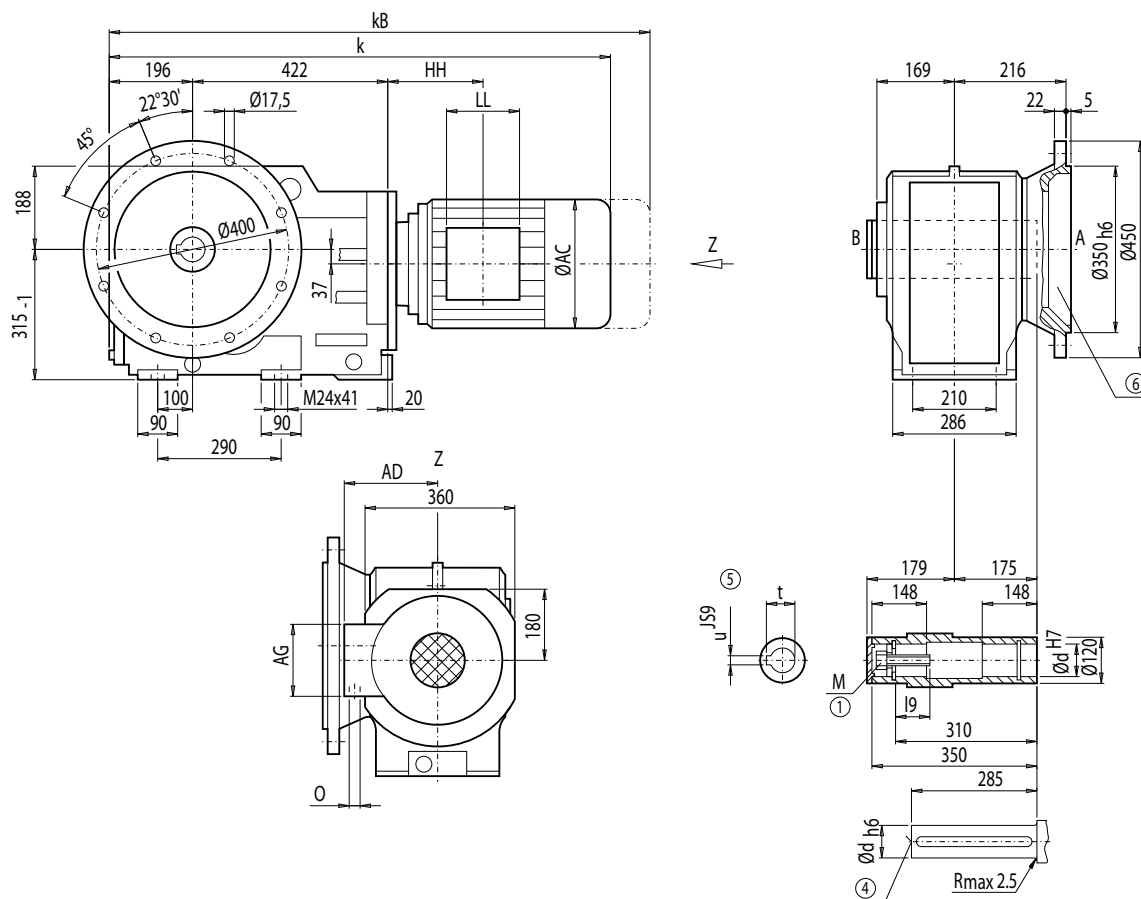
MOTEX Geared Motors

Bevel helical geared motors

Dimensions

Gearbox KAF148 (3-stage), flange-mounted design

KAF012



d	I9	M	t	u
80 *)	63.5	M20	85.4	22
90	72.0	M24	95.4	25

*) Preferred series

Motor	KAF148								Weight KAF148
	k	kB	AC	AD	AG	LL	HH	O	
LA100L	940.0	1 021.0	195.0	168.0	120	120	104.0	2xM32x1.5	321
LA100ZL	1 010.0	1 091.0	195.0	168.0	120	120	236.0	2xM32x1.5	331
LA112M	965.5	1 046.5	219.0	181.0	120	120	105.5	2xM32x1.5	333
LA112ZM	993.5	1 074.5	219.0	181.0	120	120	209.5	2xM32x1.5	340
LA132S/M	1 024.5	1 126.5	259.0	195.0	140	140	145.0	2xM32x1.5	342
LA132ZM	1 070.5	1 172.5	259.0	195.0	140	140	253.0	2xM32x1.5	363
LA160M/L	1 124.0	1 242.5	313.5	227.0	165	165	167.5	2xM40x1.5	381
LA160ZL	1 172.0	1 290.5	313.5	227.0	165	165	320.5	2xM40x1.5	420
LG180M/L	1 183.5	1 305.5	348.0	322.5	260	192	184.5	2xM40x1.5	472
LG180ZM/ZL	1 234.5	1 356.5	348.0	322.5	260	192	184.5	2xM40x1.5	502
LG200L	1 239.5	1 365.5	385.0	301.0	260	192	214.5	2xM50x1.5	552
LG225S	1 310.5	1 549.5	442.0	325.0	260	192	250.5	2xM50x1.5	628
LG225M	1 310.5	1 549.5	442.0	325.0	260	192	250.5	2xM50x1.5	616
LG225ZM	1 370.5	1 609.5	442.0	325.0	260	192	250.5	2xM50x1.5	674
K4-LGI250M	1 597.5	1 822.5	495.0	392.0	300	236	469.5	2xM63x1.5	796
K4-LGI250ZM	1 667.5	1 892.5	495.0	392.0	300	236	469.5	2xM63x1.5	899

④ DIN 332

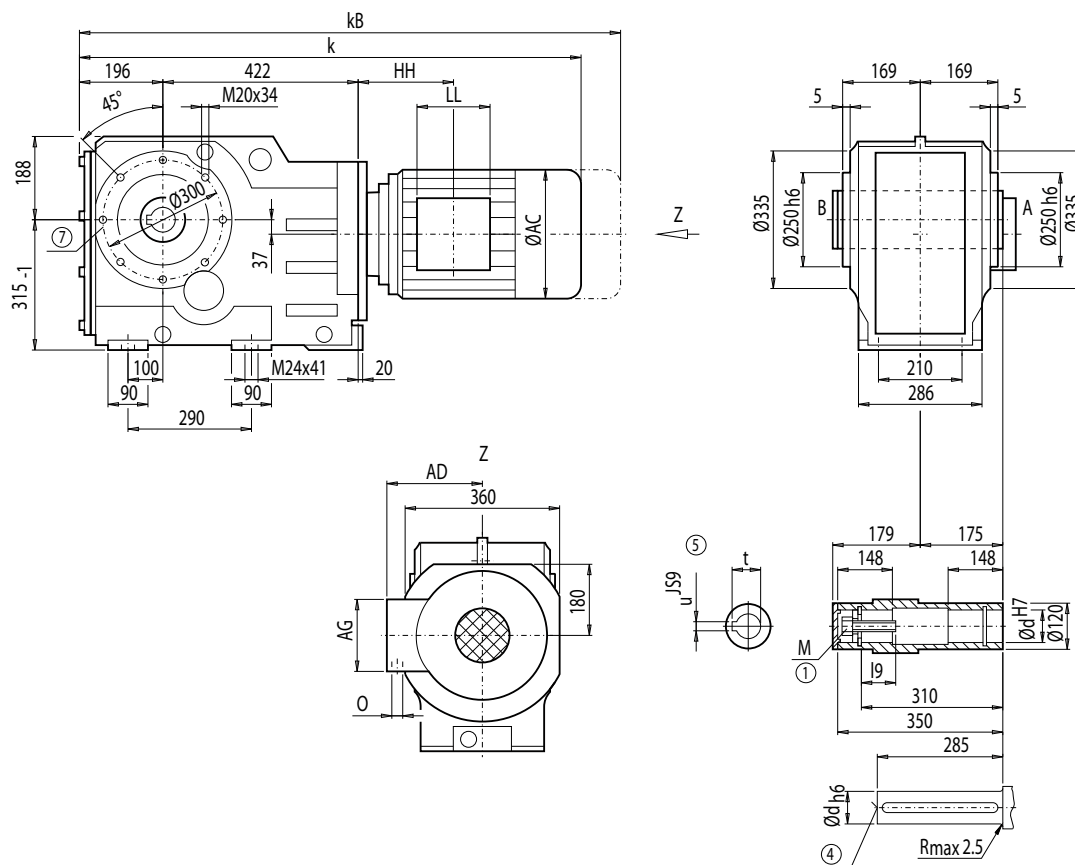
① DIN EN ISO 4014

⑤ Feather key / keyway DIN 6885

⑥ For note, see page 4/217

Gearbox KAZ148 (3-stage), shaft-mounted design with housing flange (C-type)

KAZ012



d	I9	M	t	u
80 *)	63.5	M20	85.4	22
90	72.0	M24	95.4	25

*) Preferred series

Motor	KAZ148								Weight KAZ148
	k	kB	AC	AD	AG	LL	HH	O	
LA100L	940.0	1 021.0	195.0	168.0	120	120	104.0	2xM32x1.5	302
LA100ZL	1 010.0	1 091.0	195.0	168.0	120	120	236.0	2xM32x1.5	312
LA112M	965.5	1 046.5	219.0	181.0	120	120	105.5	2xM32x1.5	314
LA112ZM	993.5	1 074.5	219.0	181.0	120	120	209.5	2xM32x1.5	321
LA132S/M	1 024.5	1 126.5	259.0	195.0	140	140	145.0	2xM32x1.5	323
LA132ZM	1 070.5	1 172.5	259.0	195.0	140	140	253.0	2xM32x1.5	344
LA160M/L	1 124.0	1 242.5	313.5	227.0	165	165	167.5	2xM40x1.5	362
LA160ZL	1 172.0	1 290.5	313.5	227.0	165	165	320.5	2xM40x1.5	401
LG180M/L	1 183.5	1 305.5	348.0	322.5	260	192	184.5	2xM40x1.5	453
LG180ZM/ZL	1 234.5	1 356.5	348.0	322.5	260	192	184.5	2xM40x1.5	483
LG200L	1 239.5	1 365.5	385.0	301.0	260	192	214.5	2xM50x1.5	533
LG225S	1 310.5	1 549.5	442.0	325.0	260	192	250.5	2xM50x1.5	609
LG225M	1 310.5	1 549.5	442.0	325.0	260	192	250.5	2xM50x1.5	597
LG225ZM	1 370.5	1 609.5	442.0	325.0	260	192	250.5	2xM50x1.5	655
K4-LGI250M	1 597.5	1 822.5	495.0	392.0	300	236	469.5	2xM63x1.5	777
K4-LGI250ZM	1 667.5	1 892.5	495.0	392.0	300	236	469.5	2xM63x1.5	880

④ DIN 332

① DIN EN ISO 4014

⑤ Feather key / keyway DIN 6885

⑦ For note, see page 4/218

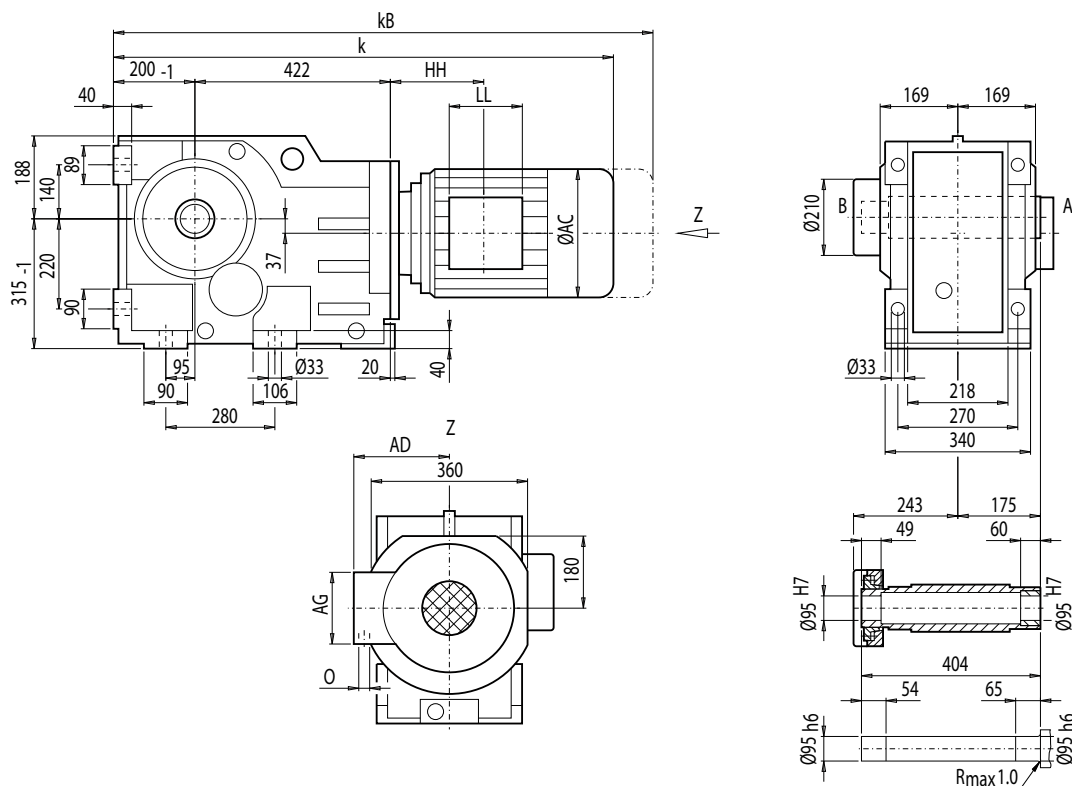
MOTOX Geared Motors

Bevel helical geared motors

Dimensions

Gearbox KAS148 (3-stage), shaft-mounted design with shrink disk

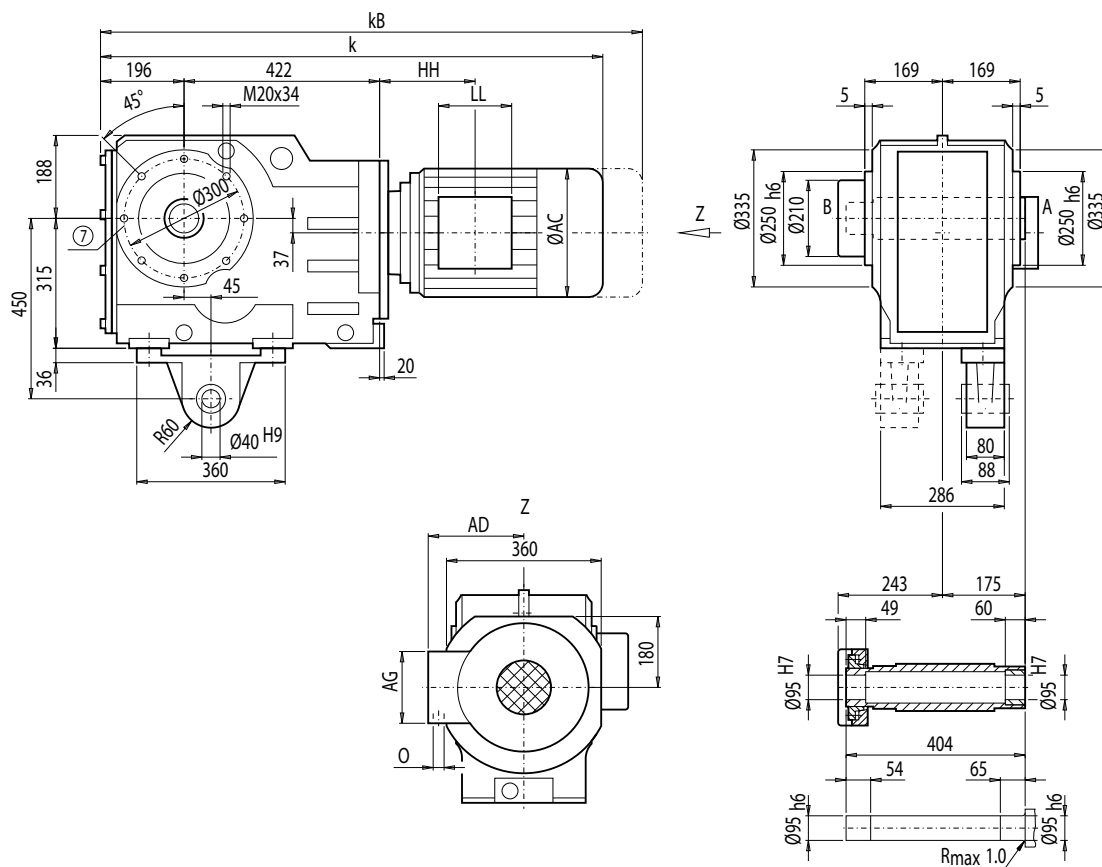
KAS012



Motor	KAS148								Weight
	k	kB	AC	AD	AG	LL	HH	O	KAS148
LA100L	944.0	1 025.0	195.0	168.0	120	120	104.0	2xM32x1.5	298
LA100ZL	1 014.0	1 095.0	195.0	168.0	120	120	236.0	2xM32x1.5	308
LA112M	969.5	1 050.5	219.0	181.0	120	120	105.5	2xM32x1.5	310
LA112ZM	997.5	1 078.5	219.0	181.0	120	120	209.5	2xM32x1.5	317
LA132S/M	1 028.5	1 130.5	259.0	195.0	140	140	145.0	2xM32x1.5	319
LA132ZM	1 074.5	1 176.5	259.0	195.0	140	140	253.0	2xM32x1.5	340
LA160M/L	1 128.0	1 246.5	313.5	227.0	165	165	167.5	2xM40x1.5	358
LA160ZL	1 176.0	1 294.5	313.5	227.0	165	165	320.5	2xM40x1.5	397
LG180M/L	1 187.5	1 309.5	348.0	322.5	260	192	184.5	2xM40x1.5	449
LG180ZM/ZL	1 238.5	1 360.5	348.0	322.5	260	192	184.5	2xM40x1.5	479
LG200L	1 243.5	1 369.5	385.0	301.0	260	192	214.5	2xM50x1.5	529
LG225S	1 314.5	1 553.5	442.0	325.0	260	192	250.5	2xM50x1.5	605
LG225M	1 314.5	1 553.5	442.0	325.0	260	192	250.5	2xM50x1.5	593
LG225ZM	1 374.5	1 613.5	442.0	325.0	260	192	250.5	2xM50x1.5	651
K4-LGI250M	1 601.5	1 826.5	495.0	392.0	300	236	469.5	2xM63x1.5	773
K4-LGI250ZM	1 671.5	1 896.5	495.0	392.0	300	236	469.5	2xM63x1.5	876

Gearbox KADS148 (3-stage), shaft-mounted design with torque arm and shrink disk

KADS012



4

Motor	KADS148								Weight KADS148
	k	kB	AC	AD	AG	LL	HH	O	
LA100L	940.0	1 021.0	195.0	168.0	120	120	104.0	2xM32x1.5	326
LA100ZL	1 010.0	1 091.0	195.0	168.0	120	120	236.0	2xM32x1.5	336
LA112M	965.5	1 046.5	219.0	181.0	120	120	105.5	2xM32x1.5	337
LA112ZM	993.5	1 074.5	219.0	181.0	120	120	209.5	2xM32x1.5	344
LA132S/M	1 024.5	1 126.5	259.0	195.0	140	140	145.0	2xM32x1.5	346
LA132ZM	1 070.5	1 172.5	259.0	195.0	140	140	253.0	2xM32x1.5	368
LA160M/L	1 124.0	1 242.5	313.5	227.0	165	165	167.5	2xM40x1.5	386
LA160ZL	1 172.0	1 290.5	313.5	227.0	165	165	320.5	2xM40x1.5	425
LG180M/L	1 183.5	1 305.5	348.0	322.5	260	192	184.5	2xM40x1.5	477
LG180ZM/ZL	1 234.5	1 356.5	348.0	322.5	260	192	184.5	2xM40x1.5	507
LG200L	1 239.5	1 365.5	385.0	301.0	260	192	214.5	2xM50x1.5	557
LG225S	1 310.5	1 549.5	442.0	325.0	260	192	250.5	2xM50x1.5	633
LG225M	1 310.5	1 549.5	442.0	325.0	260	192	250.5	2xM50x1.5	621
LG225ZM	1 370.5	1 609.5	442.0	325.0	260	192	250.5	2xM50x1.5	679
K4-LGI250M	1 597.5	1 822.5	495.0	392.0	300	236	469.5	2xM63x1.5	801
K4-LGI250ZM	1 667.5	1 892.5	495.0	392.0	300	236	469.5	2xM63x1.5	904

ⓘ For note, see page 4/218

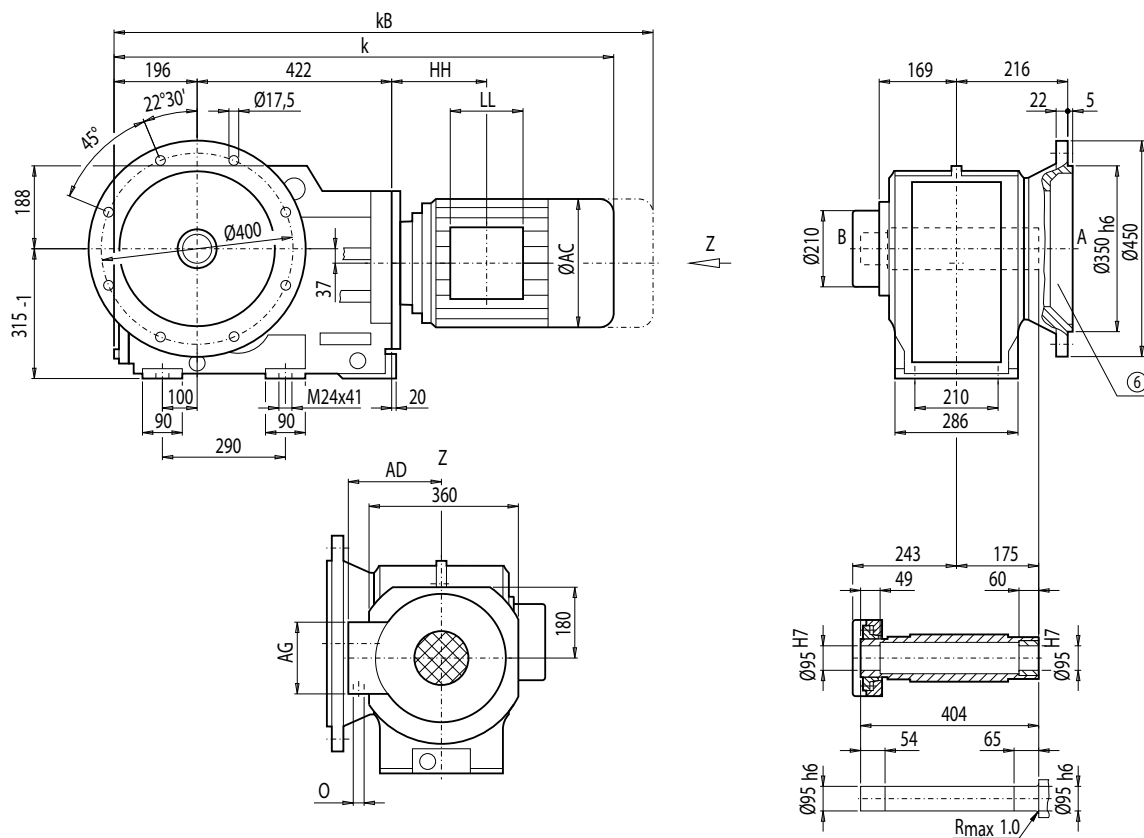
MOTOX Geared Motors

Bevel helical geared motors

Dimensions

Gearbox KAFS148 (3-stage), flange-mounted design and shrink disk

KAFS012

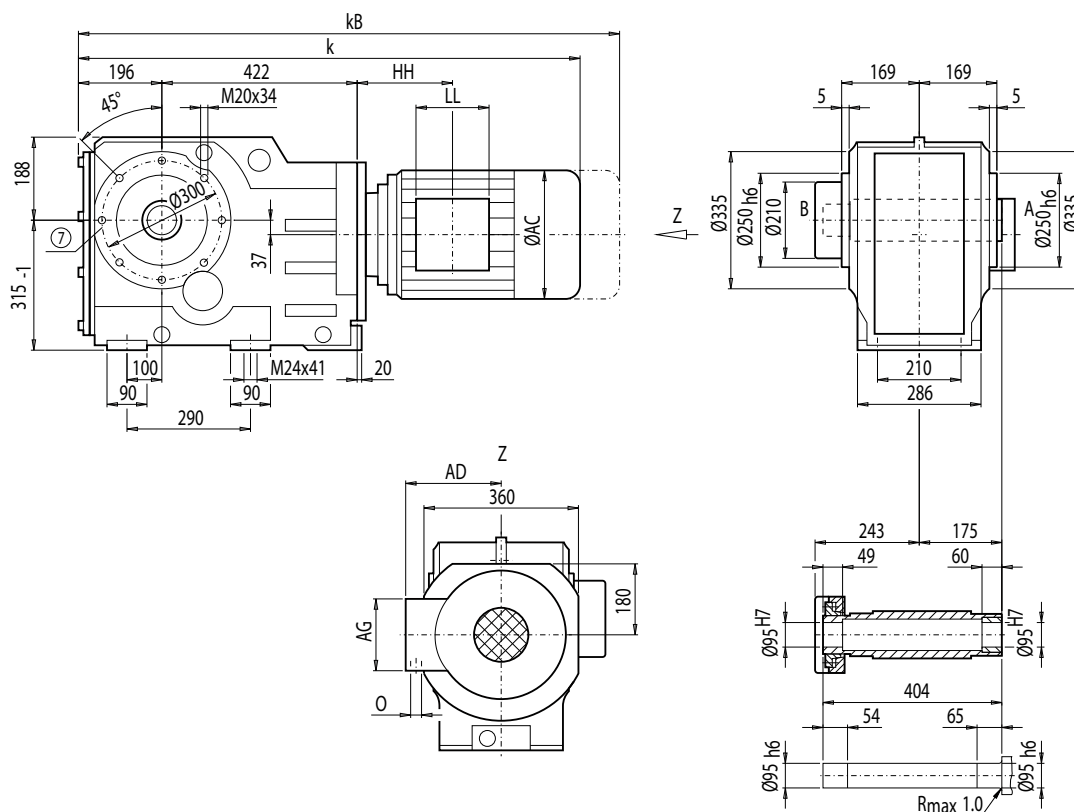


Motor	KAFS148								Weight KAFS148
	k	kB	AC	AD	AG	LL	HH	O	
LA100L	940.0	1 021.0	195.0	168.0	120	120	104.0	2xM32x1.5	328
LA100ZL	1 010.0	1 091.0	195.0	168.0	120	120	236.0	2xM32x1.5	338
LA112M	965.5	1 046.5	219.0	181.0	120	120	105.5	2xM32x1.5	340
LA112ZM	993.5	1 074.5	219.0	181.0	120	120	209.5	2xM32x1.5	347
LA132S/M	1 024.5	1 126.5	259.0	195.0	140	140	145.0	2xM32x1.5	349
LA132ZM	1 070.5	1 172.5	259.0	195.0	140	140	253.0	2xM32x1.5	360
LA160M/L	1 124.0	1 242.5	313.5	227.0	165	165	167.5	2xM40x1.5	388
LA160ZL	1 172.0	1 290.5	313.5	227.0	165	165	320.5	2xM40x1.5	427
LG180M/L	1 183.5	1 305.5	348.0	322.5	260	192	184.5	2xM40x1.5	479
LG180ZM/ZL	1 234.5	1 356.5	348.0	322.5	260	192	184.5	2xM40x1.5	509
LG200L	1 239.5	1 365.5	385.0	301.0	260	192	214.5	2xM50x1.5	559
LG225S	1 310.5	1 549.5	442.0	325.0	260	192	250.5	2xM50x1.5	635
LG225M	1 310.5	1 549.5	442.0	325.0	260	192	250.5	2xM50x1.5	623
LG225ZM	1 370.5	1 609.5	442.0	325.0	260	192	250.5	2xM50x1.5	681
K4-LGI250M	1 597.5	1 822.5	495.0	392.0	300	236	469.5	2xM63x1.5	803
K4-LGI250ZM	1 667.5	1 892.5	495.0	392.0	300	236	469.5	2xM63x1.5	906

© For note, see page 4/217

Gearbox KAZS148 (3-stage), shaft-mounted design with housing flange (C-type) and shrink disk

KAZS012



4

Motor	KAZS148								Weight KAZS148
	k	kB	AC	AD	AG	LL	HH	O	
LA100L	940.0	1 021.0	195.0	168.0	120	120	104.0	2xM32x1.5	309
LA100ZL	1 010.0	1 091.0	195.0	168.0	120	120	236.0	2xM32x1.5	319
LA112M	965.5	1 046.5	219.0	181.0	120	120	105.5	2xM32x1.5	321
LA112ZM	993.5	1 074.5	219.0	181.0	120	120	209.5	2xM32x1.5	328
LA132S/M	1 024.5	1 126.5	259.0	195.0	140	140	145.0	2xM32x1.5	330
LA132ZM	1 070.5	1 172.5	259.0	195.0	140	140	253.0	2xM32x1.5	351
LA160M/L	1 124.0	1 242.5	313.5	227.0	165	165	167.5	2xM40x1.5	369
LA160ZL	1 172.0	1 290.5	313.5	227.0	165	165	320.5	2xM40x1.5	408
LG180M/L	1 183.5	1 305.5	348.0	322.5	260	192	184.5	2xM40x1.5	460
LG180ZM/ZL	1 234.5	1 356.5	348.0	322.5	260	192	184.5	2xM40x1.5	490
LG200L	1 239.5	1 365.5	385.0	301.0	260	192	214.5	2xM50x1.5	540
LG225S	1 310.5	1 549.5	442.0	325.0	260	192	250.5	2xM50x1.5	616
LG225M	1 310.5	1 549.5	442.0	325.0	260	192	250.5	2xM50x1.5	604
LG225ZM	1 370.5	1 609.5	442.0	325.0	260	192	250.5	2xM50x1.5	662
K4-LGI250M	1 597.5	1 822.5	495.0	392.0	300	236	469.5	2xM63x1.5	784
K4-LGI250ZM	1 667.5	1 892.5	495.0	392.0	300	236	469.5	2xM63x1.5	887

⊗ For note, see page 4/218

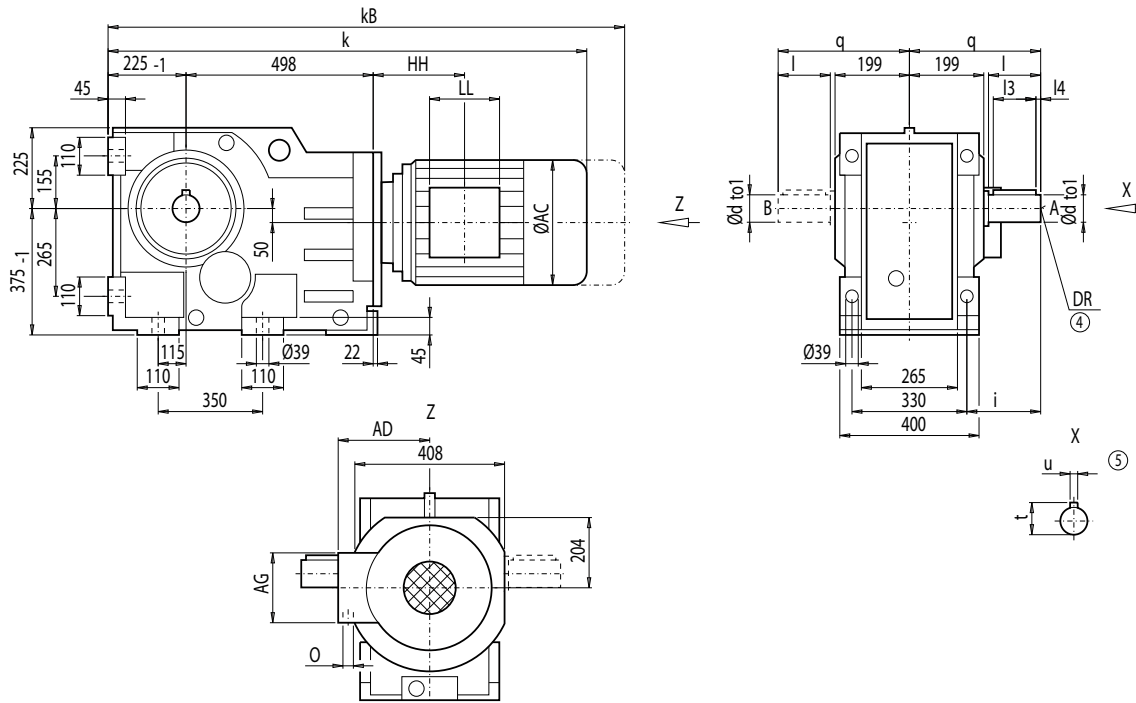
MOTOX Geared Motors

Bevel helical geared motors

Dimensions

Gearbox K168 (3-stage), housing-flange-mounted design (C-type)

K012



d	to1	l	l3	l4	t	u	i	q	DR
110 ^{*)}	m6	210	180	15	116	28	250	415	M24x50
120	m6	210	180	15	127	32	250	415	

^{*)} Preferred series

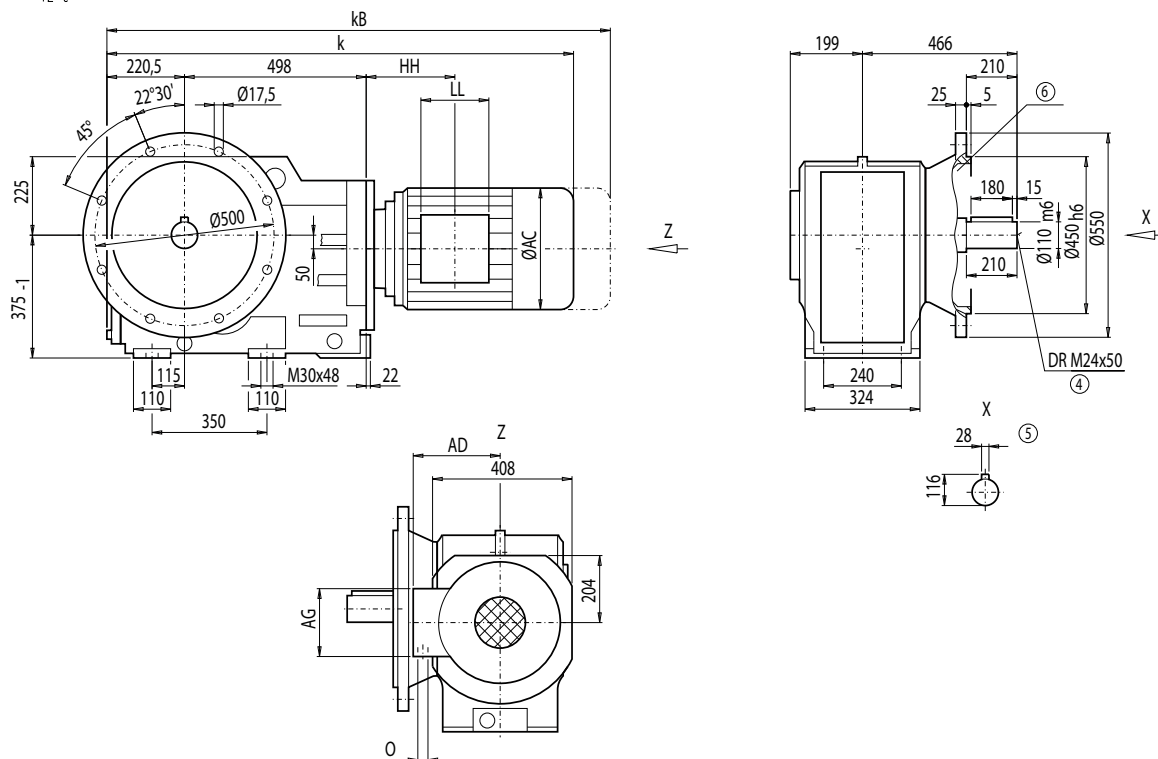
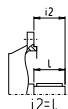
Motor	K168									Weight K168
	k	kB	AC	AD	AG	LL	HH	O		
LA132S/M	1 121.5	1 223.5	259.0	195.0	140	140	137.0	2xM32x1.5	511	
LA132ZM	1 167.5	1 269.5	259.0	195.0	140	140	245.0	2xM32x1.5	532	
LA160M/L	1 221.5	1 340.0	313.5	227.0	165	165	160.0	2xM40x1.5	545	
LA160ZL	1 269.5	1 388.0	313.5	227.0	165	165	313.0	2xM40x1.5	584	
LG180M/L	1 281.0	1 403.0	348.0	322.5	260	192	177.0	2xM40x1.5	641	
LG180ZM/ZL	1 332.0	1 454.0	348.0	322.5	260	192	177.0	2xM40x1.5	671	
LG200L	1 337.0	1 463.0	385.0	301.0	260	192	207.0	2xM50x1.5	721	
LG225S	1 408.0	1 647.0	442.0	325.0	260	192	243.0	2xM50x1.5	794	
LG225M	1 408.0	1 647.0	442.0	325.0	260	192	243.0	2xM50x1.5	782	
LG225ZM	1 468.0	1 707.0	442.0	325.0	260	192	243.0	2xM50x1.5	840	
LG250M	1 501.5	1 726.5	495.0	392.0	300	236	278.5	2xM63x1.5	884	
LG250ZM	1 571.5	1 797.0	495.0	392.0	300	236	278.5	2xM63x1.5	987	
K4-LGI280S	1 780.5	2 007.5	555.0	432.0	300	236	489.5	2xM63x1.5	1 115	
K4-LGI280M	1 780.5	2 007.5	555.0	432.0	300	236	489.5	2xM63x1.5	1 127	
K4-LGI280ZM	1 890.5	2 117.5	555.0	432.0	300	236	489.5	2xM63x1.5	1 215	

④ DIN 332

⑤ Feather key / keyway DIN 6885

Gearbox KF168 (3-stage), flange-mounted design (A-type)

KF012



Motor	KF168								Weight KF168
	k	kB	AC	AD	AG	LL	HH	O	
LA132S/M	1 117.0	1 219.0	259.0	195.0	140	140	137.0	2xM32x1.5	573
LA132ZM	1 163.0	1 265.0	259.0	195.0	140	140	245.0	2xM32x1.5	594
LA160M/L	1 217.0	1 335.5	313.5	227.0	165	165	160.0	2xM40x1.5	607
LA160ZL	1 265.0	1 383.5	313.5	227.0	165	165	313.0	2xM40x1.5	646
LG180M/L	1 276.5	1 398.5	348.0	322.5	260	192	177.0	2xM40x1.5	703
LG180ZM/ZL	1 327.5	1 449.5	348.0	322.5	260	192	177.0	2xM40x1.5	733
LG200L	1 332.5	1 458.5	385.0	301.0	260	192	207.0	2xM50x1.5	783
LG225S	1 403.5	1 642.5	442.0	325.0	260	192	243.0	2xM50x1.5	856
LG225M	1 403.5	1 642.5	442.0	325.0	260	192	243.0	2xM50x1.5	845
LG225ZM	1 463.5	1 702.5	442.0	325.0	260	192	243.0	2xM50x1.5	903
LG250M	1 497.0	1 722.0	495.0	392.0	300	236	278.5	2xM63x1.5	947
LG250ZM	1 567.0	1 792.5	495.0	392.0	300	236	278.5	2xM63x1.5	1 050
K4-LGI280S	1 776.0	2 003.0	555.0	432.0	300	236	489.5	2xM63x1.5	1 180
K4-LGI280M	1 776.0	2 003.0	555.0	432.0	300	236	489.5	2xM63x1.5	1 190
K4-LGI280ZM	1 886.0	2 113.0	555.0	432.0	300	236	489.5	2xM63x1.5	1 278

④ DIN 332

⑤ Feather key / keyway DIN 6885

⑥ For note, see page 4/217

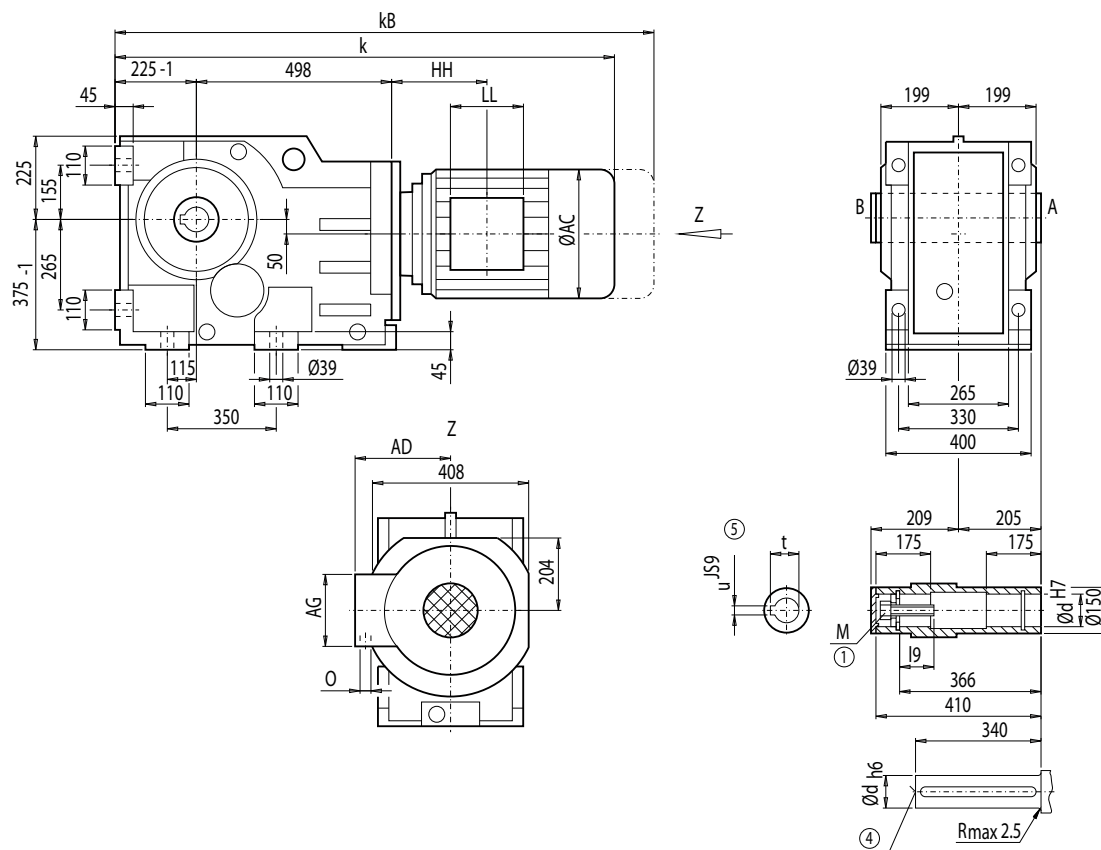
MOTOX Geared Motors

Bevel helical geared motors

Dimensions

Gearbox KA168 (3-stage), housing-flange-mounted design (C-type)

KA012



d	l9	M	t	u
100 ^{*)}	72	M24	106.4	28
110	73	M24	116.4	28

*) Preferred series

Motor	KA168								Weight
	k	kB	AC	AD	AG	LL	HH	O	KA168
LA132S/M	1 121.5	1 223.5	259.0	195.0	140	140	137.0	2xM32x1.5	483
LA132ZM	1 167.5	1 269.5	259.0	195.0	140	140	245.0	2xM32x1.5	504
LA160M/L	1 221.5	1 340.0	313.5	227.0	165	165	160.0	2xM40x1.5	517
LA160ZL	1 269.5	1 388.0	313.5	227.0	165	165	313.0	2xM40x1.5	556
LG180M/L	1 281.0	1 403.0	348.0	322.5	260	192	177.0	2xM40x1.5	613
LG180ZM/ZL	1 332.0	1 454.0	348.0	322.5	260	192	177.0	2xM40x1.5	643
LG200L	1 337.0	1 463.0	385.0	301.0	260	192	207.0	2xM50x1.5	693
LG225S	1 408.0	1 647.0	442.0	325.0	260	192	243.0	2xM50x1.5	766
LG225M	1 408.0	1 647.0	442.0	325.0	260	192	243.0	2xM50x1.5	754
LG225ZM	1 468.0	1 707.0	442.0	325.0	260	192	243.0	2xM50x1.5	712
LG250M	1 501.5	1 726.5	495.0	392.0	300	236	278.5	2xM63x1.5	856
LG250ZM	1 571.5	1 797.0	495.0	392.0	300	236	278.5	2xM63x1.5	959
K4-LGI280S	1 780.5	2 007.5	555.0	432.0	300	236	489.5	2xM63x1.5	1 087
K4-LGI280M	1 780.5	2 007.5	555.0	432.0	300	236	489.5	2xM63x1.5	1 099
K4-LGI280ZM	1 890.5	2 117.5	555.0	432.0	300	236	489.5	2xM63x1.5	1 187

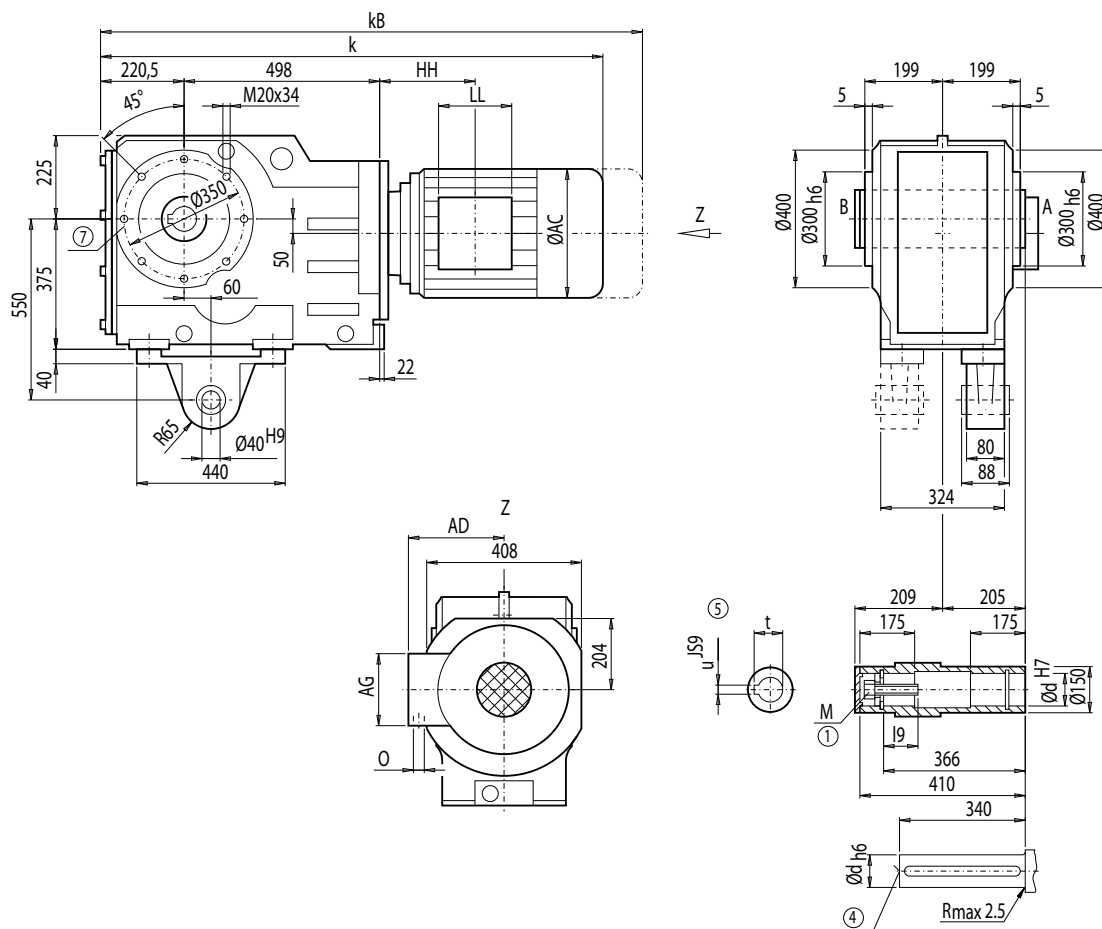
① DIN 332

② DIN EN ISO 4014

③ Feather key / keyway DIN 6885

Gearbox KAD168 (3-stage), shaft-mounted design with torque arm

KAD012



d	I9	M	t	u
100 ^{a)}	72	M24	106.4	28
110	73	M24	116.4	28

^{a)} Preferred series

Motor	KAD168								Weight KAD168
	k	kB	AC	AD	AG	LL	HH	O	
LA132S/M	1 117.0	1 219.0	259.0	195.0	140	140	137.0	2xM32x1.5	519
LA132ZM	1 163.0	1 265.0	259.0	195.0	140	140	245.0	2xM32x1.5	541
LA160M/L	1 217.0	1 335.5	313.5	227.0	165	165	160.0	2xM40x1.5	553
LA160ZL	1 265.0	1 383.5	313.5	227.0	165	165	313.0	2xM40x1.5	592
LG180M/L	1 276.5	1 398.5	348.0	322.5	260	192	177.0	2xM40x1.5	649
LG180ZM/ZL	1 327.5	1 449.5	348.0	322.5	260	192	177.0	2xM40x1.5	679
LG200L	1 332.5	1 458.5	385.0	301.0	260	192	207.0	2xM50x1.5	729
LG225S	1 403.5	1 642.5	442.0	325.0	260	192	243.0	2xM50x1.5	802
LG225M	1 403.5	1 642.5	442.0	325.0	260	192	243.0	2xM50x1.5	791
LG225ZM	1 463.5	1 702.5	442.0	325.0	260	192	243.0	2xM50x1.5	851
LG250M	1 497.0	1 722.0	495.0	392.0	300	236	278.5	2xM63x1.5	893
LG250ZM	1 567.0	1 792.5	495.0	392.0	300	236	278.5	2xM63x1.5	996
K4-LGI280S	1 776.0	2 003.0	555.0	432.0	300	236	489.5	2xM63x1.5	1 126
K4-LGI280M	1 776.0	2 003.0	555.0	432.0	300	236	489.5	2xM63x1.5	1 136
K4-LGI280ZM	1 886.0	2 113.0	555.0	432.0	300	236	489.5	2xM63x1.5	1 224

① DIN 332

① DIN EN ISO 4014

⑤ Feather key / keyway DIN 6885

⑦ For note, see page 4/218

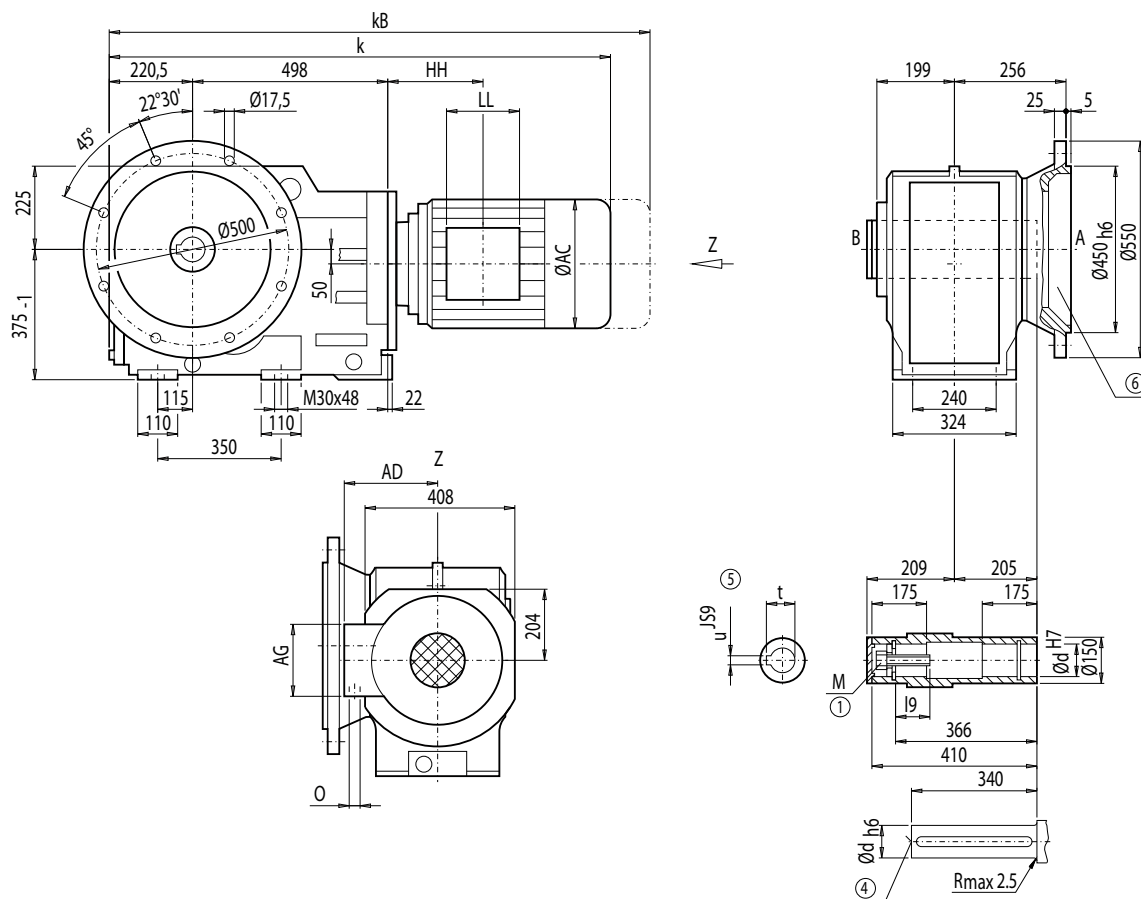
MOTOX Geared Motors

Bevel helical geared motors

Dimensions

Gearbox KAF168 (3-stage), flange-mounted design

KAF012



d	I9	M	t	u
100 *)	72	M24	106.4	28
110	73	M24	116.4	28

*) Preferred series

Motor	KAF168								Weight KAF168
	k	kB	AC	AD	AG	LL	HH	O	
LA132S/M	1 117.0	1 219.0	259.0	195.0	140	140	137.0	2xM32x1.5	528
LA132ZM	1 163.0	1 265.0	259.0	195.0	140	140	245.0	2xM32x1.5	549
LA160M/L	1 217.0	1 335.5	313.5	227.0	165	165	160.0	2xM40x1.5	562
LA160ZL	1 265.0	1 383.5	313.5	227.0	165	165	313.0	2xM40x1.5	601
LG180M/L	1 276.5	1 398.5	348.0	322.5	260	192	177.0	2xM40x1.5	658
LG180ZM/ZL	1 327.5	1 449.5	348.0	322.5	260	192	177.0	2xM40x1.5	688
LG200L	1 332.5	1 458.5	385.0	301.0	260	192	207.0	2xM50x1.5	738
LG225S	1 403.5	1 642.5	442.0	325.0	260	192	243.0	2xM50x1.5	811
LG225M	1 403.5	1 642.5	442.0	325.0	260	192	243.0	2xM50x1.5	800
LG225ZM	1 463.5	1 702.5	442.0	325.0	260	192	243.0	2xM50x1.5	858
LG250M	1 497.0	1 722.0	495.0	392.0	300	236	278.5	2xM63x1.5	902
LG250ZM	1 567.0	1 792.5	495.0	392.0	300	236	278.5	2xM63x1.5	1 005
K4-LGI280S	1 776.0	2 003.0	555.0	432.0	300	236	489.5	2xM63x1.5	1 135
K4-LGI280M	1 776.0	2 003.0	555.0	432.0	300	236	489.5	2xM63x1.5	1 145
K4-LGI280ZM	1 886.0	2 113.0	555.0	432.0	300	236	489.5	2xM63x1.5	1 233

④ DIN 332

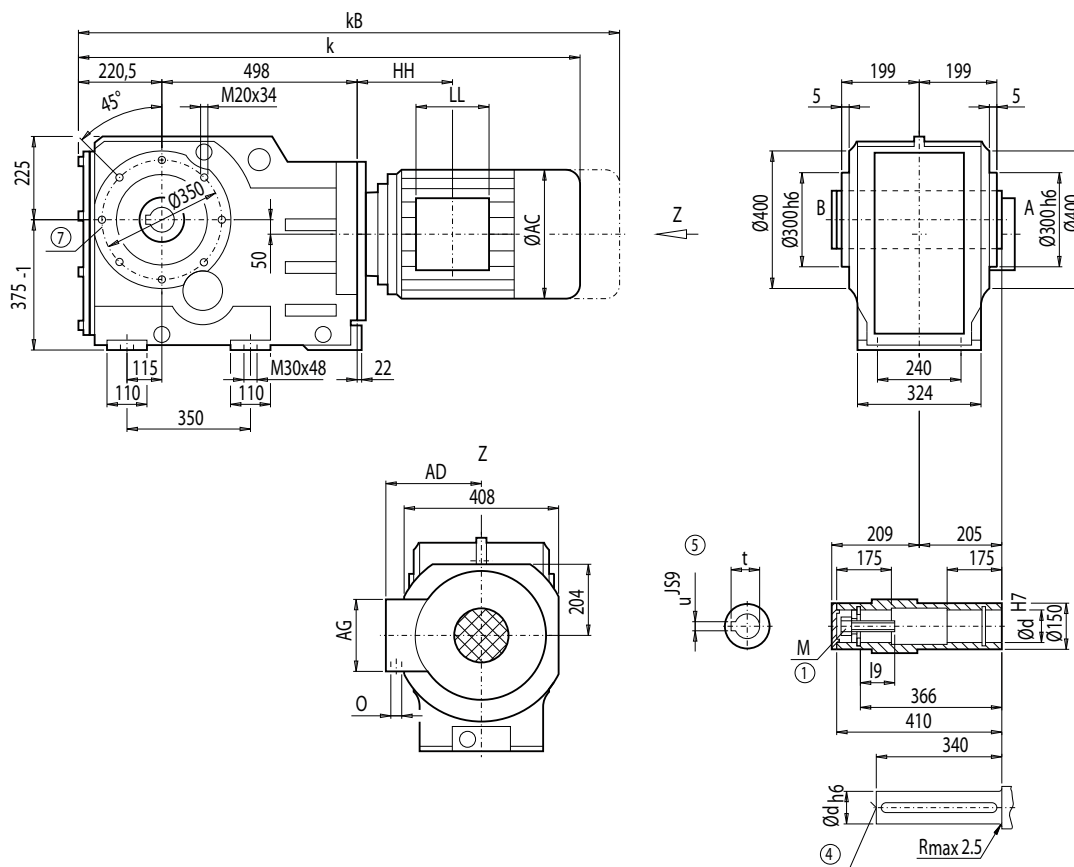
① DIN EN ISO 4014

⑤ Feather key / keyway DIN 6885

⑥ For note, see page 4/217

Gearbox KAZ168 (3-stage), shaft-mounted design with housing flange (C-type)

KAZ012



d	i9	M	t	u
100 *)	72	M24	106.4	28
110	73	M24	116.4	28

*) Preferred series

Motor	KAZ168								Weight KAZ168
	k	kB	AC	AD	AG	LL	HH	O	
LA132S/M	1 117.0	1 219.0	259.0	195.0	140	140	137.0	2xM32x1.5	496
LA132ZM	1 163.0	1 265.0	259.0	195.0	140	140	245.0	2xM32x1.5	517
LA160M/L	1 217.0	1 335.5	313.5	227.0	165	165	160.0	2xM40x1.5	530
LA160ZL	1 265.0	1 383.5	313.5	227.0	165	165	313.0	2xM40x1.5	569
LG180M/L	1 276.5	1 398.5	348.0	322.5	260	192	177.0	2xM40x1.5	625
LG180ZM/ZL	1 327.5	1 449.5	348.0	322.5	260	192	177.0	2xM40x1.5	655
LG200L	1 332.5	1 458.5	385.0	301.0	260	192	207.0	2xM50x1.5	705
LG225S	1 403.5	1 642.5	442.0	325.0	260	192	243.0	2xM50x1.5	778
LG225M	1 403.5	1 642.5	442.0	325.0	260	192	243.0	2xM50x1.5	767
LG225ZM	1 463.5	1 702.5	442.0	325.0	260	192	243.0	2xM50x1.5	825
LG250M	1 497.0	1 722.0	495.0	392.0	300	236	278.5	2xM63x1.5	869
LG250ZM	1 567.0	1 792.5	495.0	392.0	300	236	278.5	2xM63x1.5	972
K4-LGI280S	1 776.0	2 003.0	555.0	432.0	300	236	489.5	2xM63x1.5	1 102
K4-LGI280M	1 776.0	2 003.0	555.0	432.0	300	236	489.5	2xM63x1.5	1 112
K4-LGI280ZM	1 886.0	2 113.0	555.0	432.0	300	236	489.5	2xM63x1.5	1 200

④ DIN 332

① DIN EN ISO 4014

⑤ Feather key / keyway DIN 6885

⑦ For note, see page 4/218

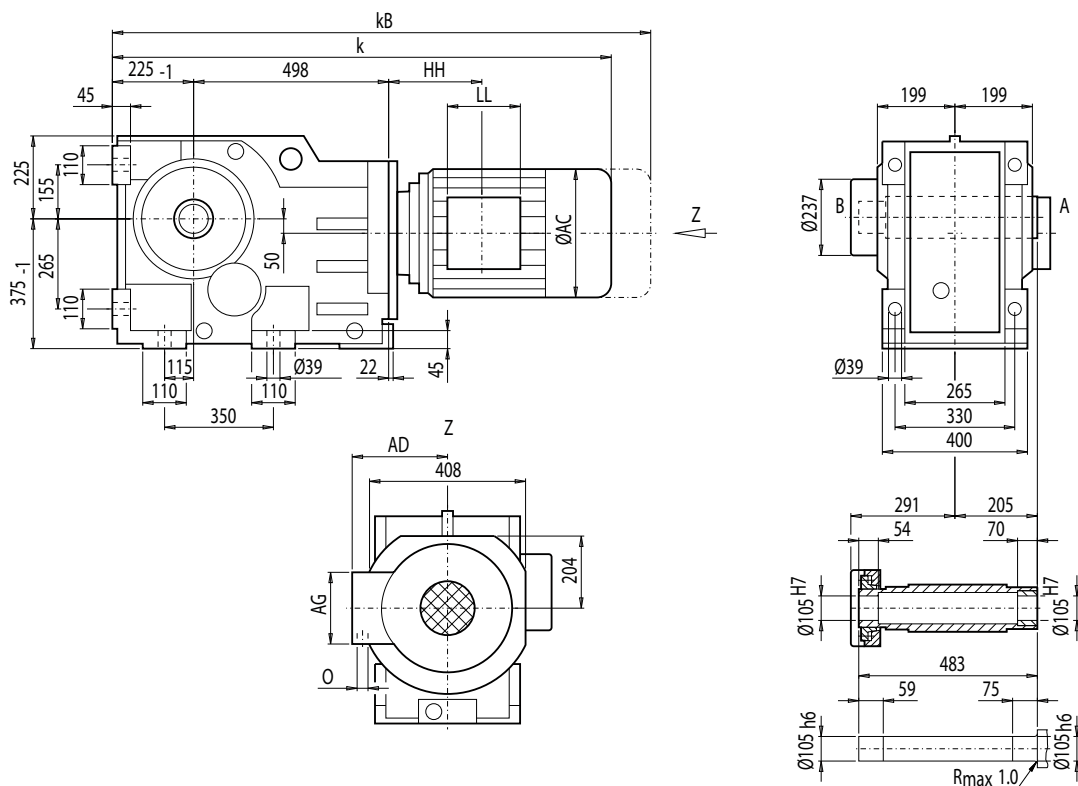
MOTOX Geared Motors

Bevel helical geared motors

Dimensions

Gearbox KAS168 (3-stage), shaft-mounted design with shrink disk

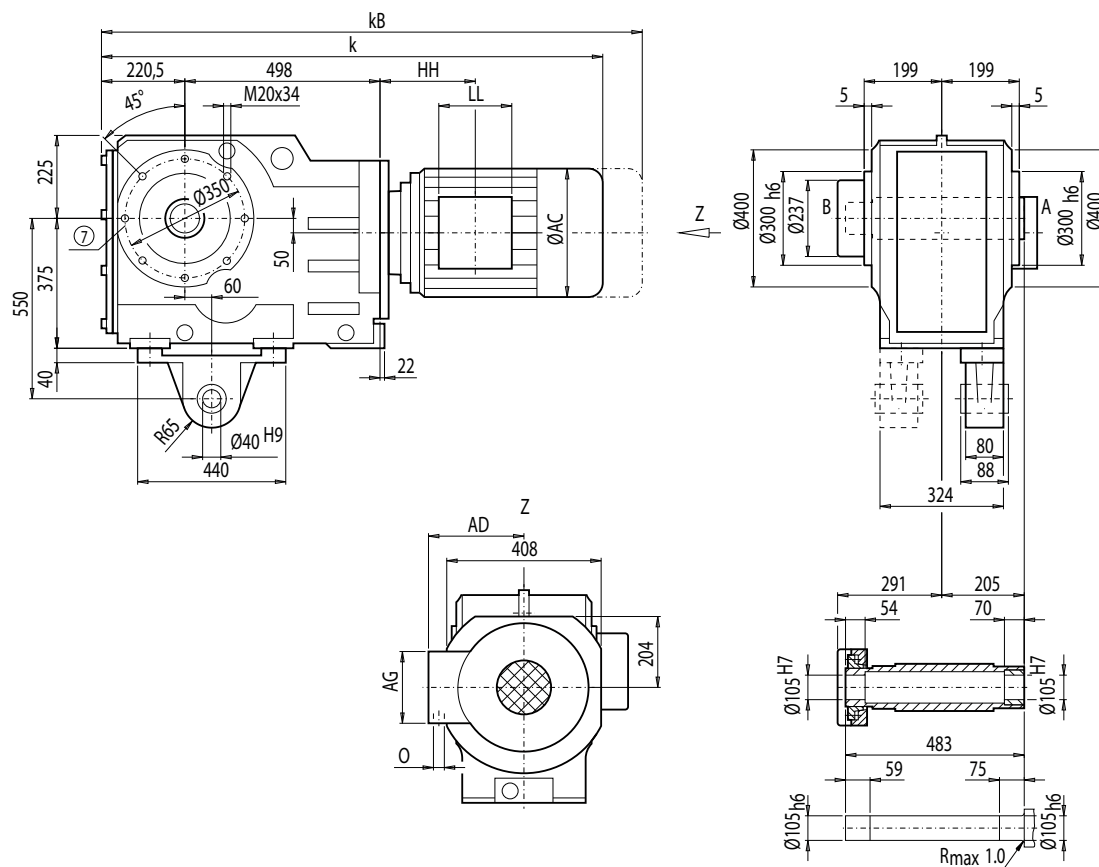
KAS012



KAS168									Weight
Motor	k	kB	AC	AD	AG	LL	HH	O	KAS168
LA132S/M	1 121.5	1 223.5	259.0	195.0	140	140	137.0	2xM32x1.5	493
LA132ZM	1 167.5	1 269.5	259.0	195.0	140	140	245.0	2xM32x1.5	515
LA160M/L	1 221.5	1 340.0	313.5	227.0	165	165	160.0	2xM40x1.5	527
LA160ZL	1 269.5	1 388.0	313.5	227.0	165	165	313.0	2xM40x1.5	566
LG180M/L	1 281.0	1 403.0	348.0	322.5	260	192	177.0	2xM40x1.5	623
LG180ZM/ZL	1 332.0	1 454.0	348.0	322.5	260	192	177.0	2xM40x1.5	653
LG200L	1 337.0	1 463.0	385.0	301.0	260	192	207.0	2xM50x1.5	703
LG225S	1 408.0	1 647.0	442.0	325.0	260	192	243.0	2xM50x1.5	776
LG225M	1 408.0	1 647.0	442.0	325.0	260	192	243.0	2xM50x1.5	764
LG225ZM	1 468.0	1 707.0	442.0	325.0	260	192	243.0	2xM50x1.5	822
LG250M	1 501.5	1 726.5	495.0	392.0	300	236	278.5	2xM63x1.5	866
LG250ZM	1 571.5	1 797.0	495.0	392.0	300	236	278.5	2xM63x1.5	969
K4-LGI280S	1 780.5	2 007.5	555.0	432.0	300	236	489.5	2xM63x1.5	1 097
K4-LGI280M	1 780.5	2 007.5	555.0	432.0	300	236	489.5	2xM63x1.5	1 109
K4-LGI280ZM	1 890.5	2 117.5	555.0	432.0	300	236	489.5	2xM63x1.5	1 197

Gearbox KADS168 (3-stage), shaft-mounted design with torque arm and shrink disk

KADS012



4

Motor	KADS168								Weight KADS168
	k	kB	AC	AD	AG	LL	HH	O	
LA132S/M	1 117.0	1 219.0	259.0	195.0	140	140	137.0	2xM32x1.5	530
LA132ZM	1 163.0	1 265.0	259.0	195.0	140	140	245.0	2xM32x1.5	551
LA160M/L	1 217.0	1 335.5	313.5	227.0	165	165	160.0	2xM40x1.5	564
LA160ZL	1 265.0	1 383.5	313.5	227.0	165	165	313.0	2xM40x1.5	603
LG180M/L	1 276.5	1 398.5	348.0	322.5	260	192	177.0	2xM40x1.5	659
LG180ZM/ZL	1 327.5	1 449.5	348.0	322.5	260	192	177.0	2xM40x1.5	689
LG200L	1 332.5	1 458.5	385.0	301.0	260	192	207.0	2xM50x1.5	739
LG225S	1 403.5	1 642.5	442.0	325.0	260	192	243.0	2xM50x1.5	812
LG225M	1 403.5	1 642.5	442.0	325.0	260	192	243.0	2xM50x1.5	801
LG225ZM	1 463.5	1 702.5	442.0	325.0	260	192	243.0	2xM50x1.5	859
LG250M	1 497.0	1 722.0	495.0	392.0	300	236	278.5	2xM63x1.5	903
LG250ZM	1 567.0	1 792.5	495.0	392.0	300	236	278.5	2xM63x1.5	1 006
K4-LGI280S	1 776.0	2 003.0	555.0	432.0	300	236	489.5	2xM63x1.5	1 136
K4-LGI280M	1 776.0	2 003.0	555.0	432.0	300	236	489.5	2xM63x1.5	1 146
K4-LGI280ZM	1 886.0	2 113.0	555.0	432.0	300	236	489.5	2xM63x1.5	1 234

⊗ For note, see page 4/218

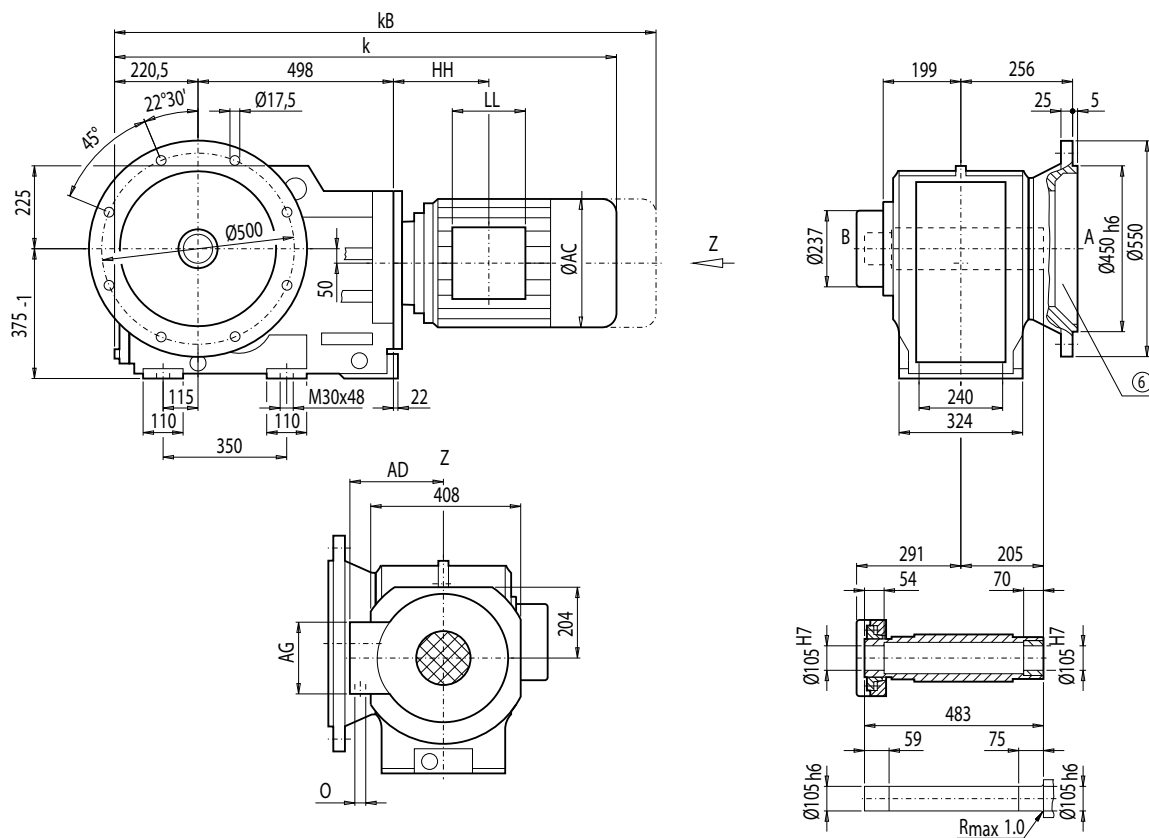
MOTOX Geared Motors

Bevel helical geared motors

Dimensions

Gearbox KAFS168 (3-stage), flange-mounted design and shrink disk

KAFS012

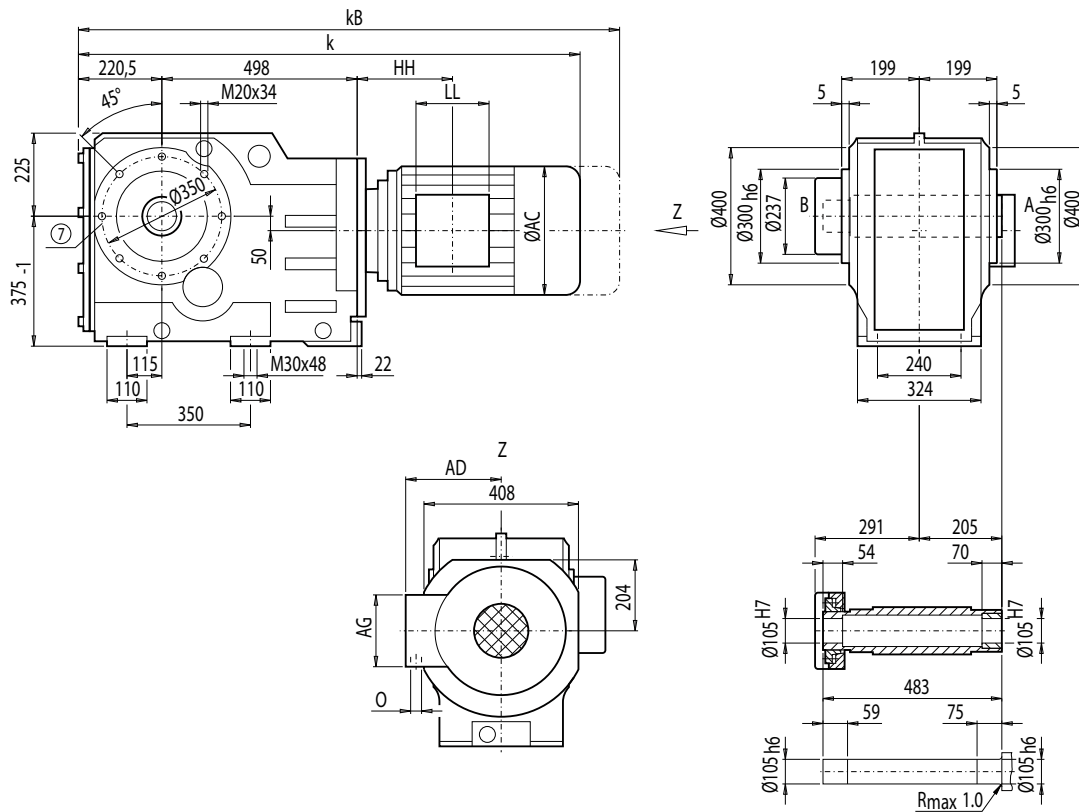


Motor	KAFS168								Weight KAFS168
	k	kB	AC	AD	AG	LL	HH	O	
LA132S/M	1 117.0	1 219.0	259.0	195.0	140	140	137.0	2xM32x1.5	538
LA132ZM	1 163.0	1 265.0	259.0	195.0	140	140	245.0	2xM32x1.5	560
LA160M/L	1 217.0	1 335.5	313.5	227.0	165	165	160.0	2xM40x1.5	572
LA160ZL	1 265.0	1 383.5	313.5	227.0	165	165	313.0	2xM40x1.5	611
LG180M/L	1 276.5	1 398.5	348.0	322.5	260	192	177.0	2xM40x1.5	668
LG180ZM/ZL	1 327.5	1 449.5	348.0	322.5	260	192	177.0	2xM40x1.5	698
LG200L	1 332.5	1 458.5	385.0	301.0	260	192	207.0	2xM50x1.5	748
LG225S	1 403.5	1 642.5	442.0	325.0	260	192	243.0	2xM50x1.5	821
LG225M	1 403.5	1 642.5	442.0	325.0	260	192	243.0	2xM50x1.5	810
LG225ZM	1 463.5	1 702.5	442.0	325.0	260	192	243.0	2xM50x1.5	868
LG250M	1 497.0	1 722.0	495.0	392.0	300	236	278.5	2xM63x1.5	912
LG250ZM	1 567.0	1 792.5	495.0	392.0	300	236	278.5	2xM63x1.5	1 015
K4-LGI280S	1 776.0	2 003.0	555.0	432.0	300	236	489.5	2xM63x1.5	1 145
K4-LGI280M	1 776.0	2 003.0	555.0	432.0	300	236	489.5	2xM63x1.5	1 155
K4-LGI280ZM	1 886.0	2 113.0	555.0	432.0	300	236	489.5	2xM63x1.5	1 243

© For note, see page 4/217

Gearbox KAZS168 (3-stage), shaft-mounted design with housing flange (C-type) and shrink disk

KAZS012



4

Motor	KAZS168								Weight KAZS168
	k	kB	AC	AD	AG	LL	HH	O	
LA132S/M	1 117.0	1 219.0	259.0	195.0	140	140	137.0	2xM32x1.5	506
LA132ZM	1 163.0	1 265.0	259.0	195.0	140	140	245.0	2xM32x1.5	527
LA160M/L	1 217.0	1 335.5	313.5	227.0	165	165	160.0	2xM40x1.5	540
LA160ZL	1 265.0	1 383.5	313.5	227.0	165	165	313.0	2xM40x1.5	579
LG180M/L	1 276.5	1 398.5	348.0	322.5	260	192	177.0	2xM40x1.5	636
LG180ZM/ZL	1 327.5	1 449.5	348.0	322.5	260	192	177.0	2xM40x1.5	666
LG200L	1 332.5	1 458.5	385.0	301.0	260	192	207.0	2xM50x1.5	716
LG225S	1 403.5	1 642.5	442.0	325.0	260	192	243.0	2xM50x1.5	789
LG225M	1 403.5	1 642.5	442.0	325.0	260	192	243.0	2xM50x1.5	778
LG225ZM	1 463.5	1 702.5	442.0	325.0	260	192	243.0	2xM50x1.5	836
LG250M	1 497.0	1 722.0	495.0	392.0	300	236	278.5	2xM63x1.5	880
LG250ZM	1 567.0	1 792.5	495.0	392.0	300	236	278.5	2xM63x1.5	983
K4-LGI280S	1 776.0	2 003.0	555.0	432.0	300	236	489.5	2xM63x1.5	1 113
K4-LGI280M	1 776.0	2 003.0	555.0	432.0	300	236	489.5	2xM63x1.5	1 123
K4-LGI280ZM	1 886.0	2 113.0	555.0	432.0	300	236	489.5	2xM63x1.5	1 211

⌚ For note, see page 4/218

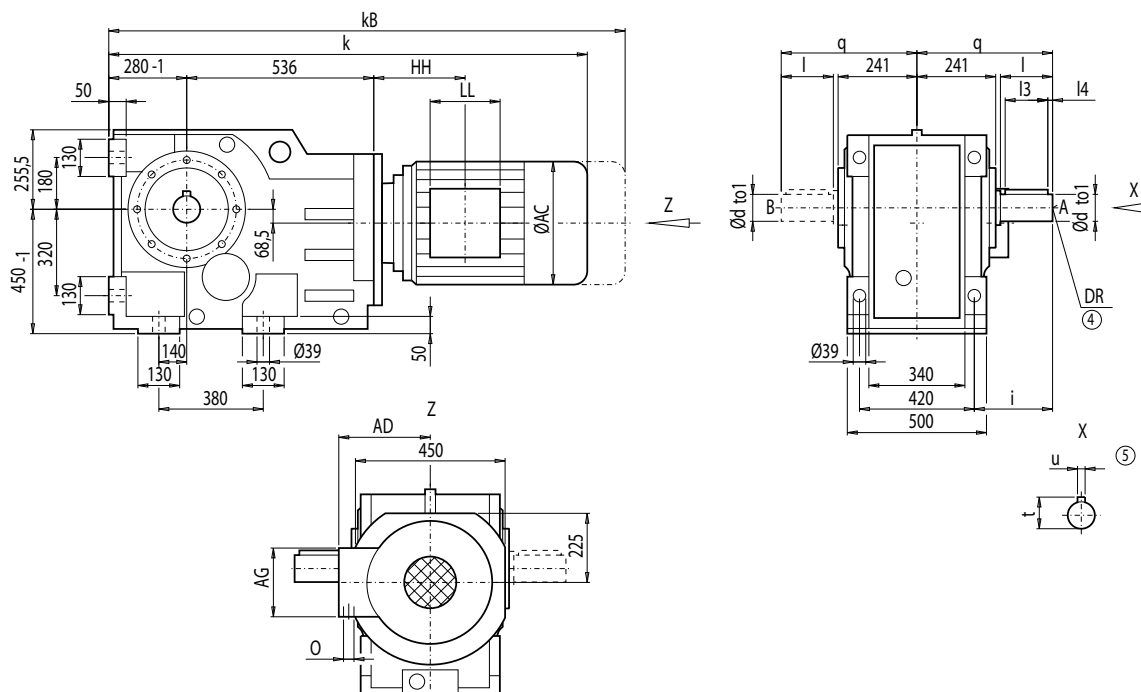
MOTOX Geared Motors

Bevel helical geared motors

Dimensions

Gearbox K188 (3-stage), housing-flange-mounted design (C-type)

K012



d	to1	l	l3	l4	t	u	i	q	DR
120 ^{*)}	m6	210	180	15	127	32	250	460	M24x50
140	m6	250	220	10	148	36	290	500	

*) Preferred series

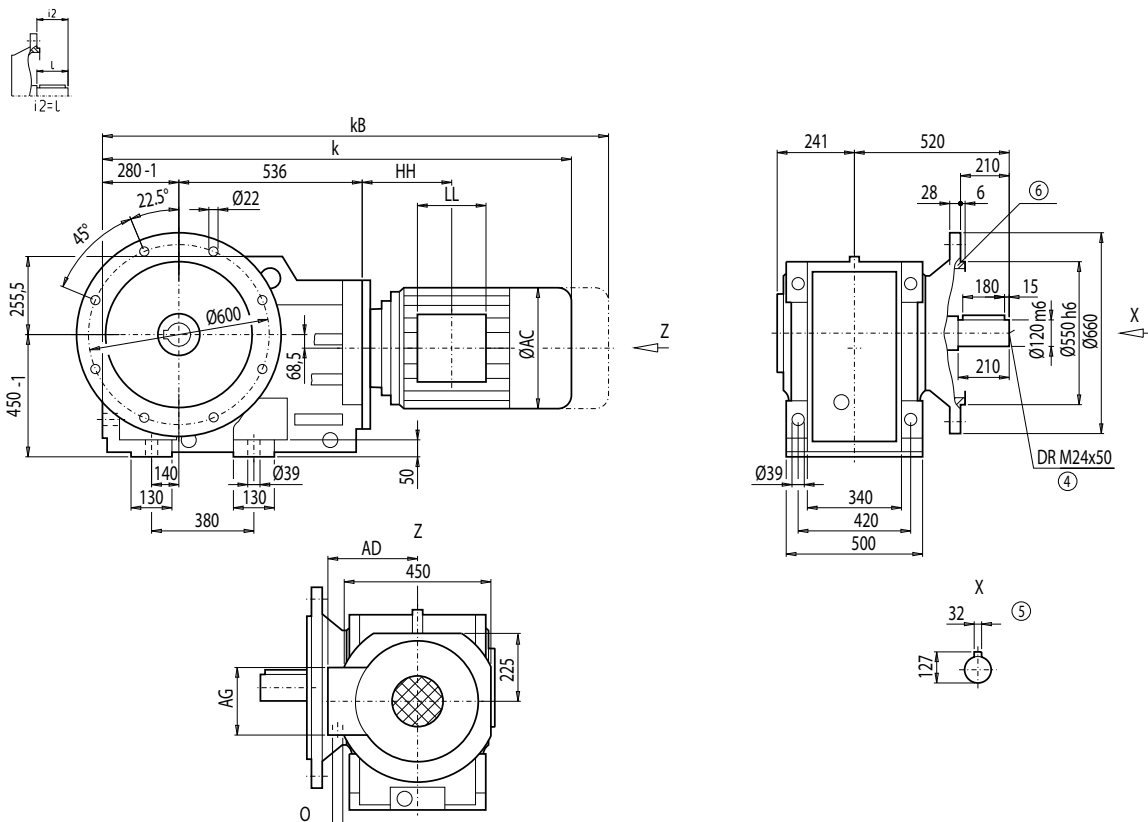
Motor	K188								Weight K188
	k	kB	AC	AD	AG	LL	HH	O	
LA132S/M	1 200.0	1 302.0	259.0	195.0	140	140	122.5	2xM32x1.5	777
LA132ZM	1 246.0	1 348.0	259.0	195.0	140	140	230.5	2xM32x1.5	799
LA160M/L	1 300.0	1 418.5	313.5	227.0	165	165	145.5	2xM40x1.5	811
LA160ZL	1 348.0	1 466.5	313.5	227.0	165	165	298.5	2xM40x1.5	850
LG180M/L	1 359.5	1 481.5	348.0	322.5	260	192	162.5	2xM40x1.5	907
LG180ZM/ZL	1 410.5	1 532.5	348.0	322.5	260	192	162.5	2xM40x1.5	937
LG200L	1 415.5	1 541.5	385.0	301.0	260	192	192.5	2xM50x1.5	987
LG225S	1 486.5	1 725.5	442.0	325.0	260	192	228.5	2xM50x1.5	1 059
LG225M	1 486.5	1 725.5	442.0	325.0	260	192	228.5	2xM50x1.5	1 047
LG225ZM	1 546.5	1 785.5	442.0	325.0	260	192	228.5	2xM50x1.5	1 105
LG250M	1 580.0	1 805.0	495.0	392.0	300	236	264.0	2xM63x1.5	1 149
LG250ZM	1 650.0	1 875.5	495.0	392.0	300	236	264.0	2xM63x1.5	1 252
K4-LGI280S	1 859.5	2 086.5	555.0	432.0	300	236	475.5	2xM63x1.5	1 278
K4-LGI280M	1 859.5	2 086.5	555.0	432.0	300	236	475.5	2xM63x1.5	1 384
K4-LGI280ZM	1 969.5	2 196.5	555.0	432.0	300	236	475.5	2xM63x1.5	1 472
K2-LGI315S/M	2 047.5	2 312.5	610.0	500.0	380	307	584.5	2xM63x1.5	1 513
K2-LGI315ZM	2 207.5	2 472.5	610.0	500.0	380	307	584.5	2xM63x1.5	1 668
K2-LGI315L	2 207.5	2 472.5	610.0	500.0	380	307	584.5	2xM63x1.5	1 808
K2-LGI315ZL	2 347.5	2 612.5	610.0	500.0	380	307	584.5	2xM63x1.5	2 008

④ DIN 332

⑤ Feather key / keyway DIN 6885

Gearbox KF188 (3-stage), flange-mounted design (A-type)

KF012



Motor	KF188								Weight KF188
	k	kB	AC	AD	AG	LL	HH	O	
LA132S/M	1 200.0	1 302.0	259.0	195.0	140	140	122.5	2xM32x1.5	832
LA132ZM	1 246.0	1 348.0	259.0	195.0	140	140	230.5	2xM32x1.5	853
LA160M/L	1 300.0	1 418.5	313.5	227.0	165	165	145.5	2xM40x1.5	866
LA160ZL	1 348.0	1 466.5	313.5	227.0	165	165	298.5	2xM40x1.5	905
LG180M/L	1 359.5	1 481.5	348.0	322.5	260	192	162.5	2xM40x1.5	961
LG180ZM/ZL	1 410.5	1 532.5	348.0	322.5	260	192	162.5	2xM40x1.5	991
LG200L	1 415.5	1 541.5	385.0	301.0	260	192	192.5	2xM50x1.5	1 041
LG225S	1 486.5	1 725.5	442.0	325.0	260	192	228.5	2xM50x1.5	1 113
LG225M	1 486.5	1 725.5	442.0	325.0	260	192	228.5	2xM50x1.5	1 101
LG225ZM	1 546.5	1 785.5	442.0	325.0	260	192	228.5	2xM50x1.5	1 159
LG250M	1 580.0	1 805.0	495.0	392.0	300	236	264.0	2xM63x1.5	1 203
LG250ZM	1 650.0	1 875.5	495.0	392.0	300	236	264.0	2xM63x1.5	1 306
K4-LG280S	1 859.5	2 086.5	555.0	432.0	300	236	475.5	2xM63x1.5	1 332
K4-LG280M	1 859.5	2 086.5	555.0	432.0	300	236	475.5	2xM63x1.5	1 438
K4-LG280ZM	1 969.5	2 196.5	555.0	432.0	300	236	475.5	2xM63x1.5	1 526
K2-LGI315S/M	2 047.5	2 312.5	610.0	500.0	380	307	584.5	2xM63x1.5	1 567
K2-LGI315ZM	2 207.5	2 472.5	610.0	500.0	380	307	584.5	2xM63x1.5	1 722
K4-LG315L	2 207.5	2 472.5	610.0	500.0	380	307	584.5	2xM63x1.5	1 862
K4-LG315ZL	2 347.5	2 612.5	610.0	500.0	380	307	584.5	2xM63x1.5	2 062

④ DIN 332

⑤ Feather key / keyway DIN 6885

⑥ For note, see page 4/217

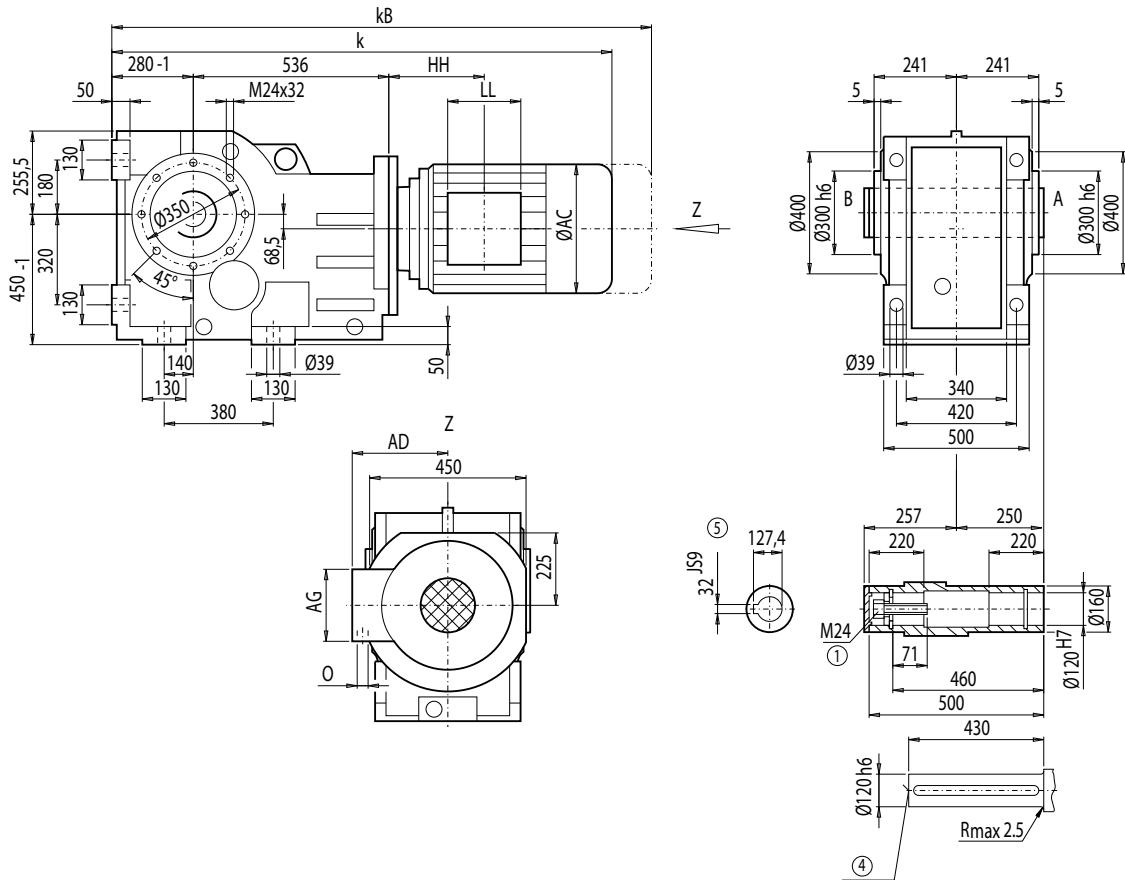
MOTOX Geared Motors

Bevel helical geared motors

Dimensions

Gearbox KA188 (3-stage), housing-flange-mounted design (C-type)

KA012



Motor	KA188								Weight
	k	kB	AC	AD	AG	LL	HH	O	KA188
LA132S/M	1 200.0	1 302.0	259.0	195.0	140	140	122.5	2xM32x1.5	674
LA132ZM	1 246.0	1 348.0	259.0	195.0	140	140	230.5	2xM32x1.5	695
LA160M/L	1 300.0	1 418.5	313.5	227.0	165	165	145.5	2xM40x1.5	707
LA160ZL	1 348.0	1 466.5	313.5	227.0	165	165	298.5	2xM40x1.5	746
LG180M/L	1 359.5	1 481.5	348.0	322.5	260	192	162.5	2xM40x1.5	803
LG180ZM/ZL	1 410.5	1 532.5	348.0	322.5	260	192	162.5	2xM40x1.5	833
LG200L	1 415.5	1 541.5	385.0	301.0	260	192	192.5	2xM50x1.5	883
LG225S	1 486.5	1 725.5	442.0	325.0	260	192	228.5	2xM50x1.5	955
LG225M	1 486.5	1 725.5	442.0	325.0	260	192	228.5	2xM50x1.5	943
LG225ZM	1 546.5	1 785.5	442.0	325.0	260	192	228.5	2xM50x1.5	1 001
LG250M	1 580.0	1 805.0	495.0	392.0	300	236	264.0	2xM63x1.5	1 045
LG250ZM	1 650.0	1 875.5	495.0	392.0	300	236	264.0	2xM63x1.5	1 148
K4-LG280S	1 859.5	2 086.5	555.0	432.0	300	236	475.5	2xM63x1.5	1 174
K4-LG280M	1 859.5	2 086.5	555.0	432.0	300	236	475.5	2xM63x1.5	1 280
K4-LG280ZM	1 969.5	2 196.5	555.0	432.0	300	236	475.5	2xM63x1.5	1 368
K2-LGI315S/M	2 047.5	2 312.5	610.0	500.0	380	307	584.5	2xM63x1.5	1 409
K2-LGI315ZM	2 207.5	2 472.5	610.0	500.0	380	307	584.5	2xM63x1.5	1 564
K4-LG315L	2 207.5	2 472.5	610.0	500.0	380	307	584.5	2xM63x1.5	1 704
K4-LG315ZL	2 347.5	2 612.5	610.0	500.0	380	307	584.5	2xM63x1.5	1 904

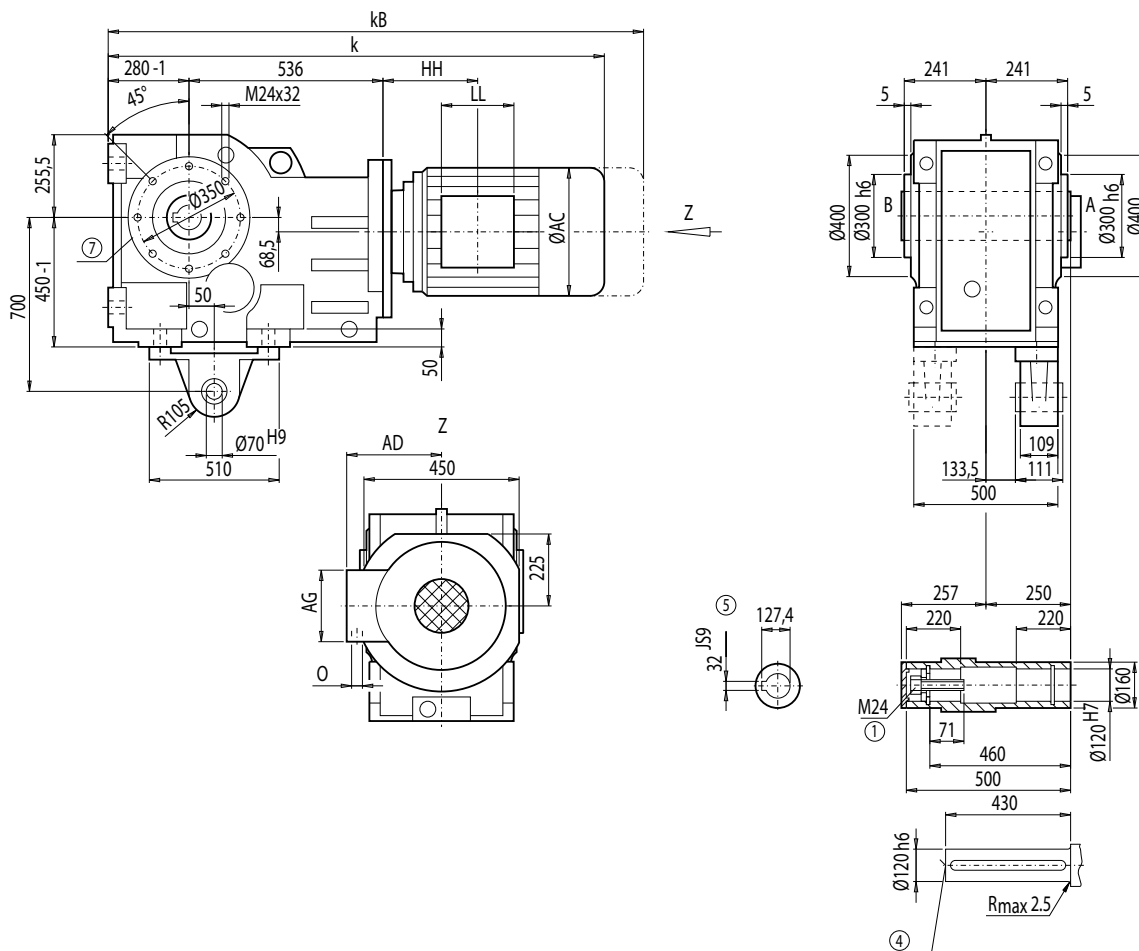
④ DIN 332

① DIN EN ISO 4014

⑤ Feather key / keyway DIN 6885

Gearbox KAD188 (3-stage), shaft-mounted design with torque arm

KAD012



KAD188									Weight
Motor	k	kB	AC	AD	AG	LL	HH	O	KAD188
LA132S/M	1 200.0	1 302.0	259.0	195.0	140	140	122.5	2xM32x1.5	697
LA132ZM	1 246.0	1 348.0	259.0	195.0	140	140	230.5	2xM32x1.5	718
LA160M/L	1 300.0	1 418.5	313.5	227.0	165	165	145.5	2xM40x1.5	731
LA160ZL	1 348.0	1 466.5	313.5	227.0	165	165	298.5	2xM40x1.5	770
LG180M/L	1 359.5	1 481.5	348.0	322.5	260	192	162.5	2xM40x1.5	826
LG180ZM/ZL	1 410.5	1 532.5	348.0	322.5	260	192	162.5	2xM40x1.5	856
LG200L	1 415.5	1 541.5	385.0	301.0	260	192	192.5	2xM50x1.5	906
LG225S	1 486.5	1 725.5	442.0	325.0	260	192	228.5	2xM50x1.5	978
LG225M	1 486.5	1 725.5	442.0	325.0	260	192	228.5	2xM50x1.5	966
LG225ZM	1 546.5	1 785.5	442.0	325.0	260	192	228.5	2xM50x1.5	1 024
LG250M	1 580.0	1 805.0	495.0	392.0	300	236	264.0	2xM63x1.5	1 068
LG250ZM	1 650.0	1 875.5	495.0	392.0	300	236	264.0	2xM63x1.5	1 171
K4-LG280S	1 859.5	2 086.5	555.0	432.0	300	236	475.5	2xM63x1.5	1 197
K4-LG280M	1 859.5	2 086.5	555.0	432.0	300	236	475.5	2xM63x1.5	1 303
K4-LG280ZM	1 969.5	2 196.5	555.0	432.0	300	236	475.5	2xM63x1.5	1 391
K2-LGI315S/M	2 047.5	2 312.5	610.0	500.0	380	307	584.5	2xM63x1.5	1 432
K2-LGI315ZM	2 207.5	2 472.5	610.0	500.0	380	307	584.5	2xM63x1.5	1 587
K4-LG315L	2 207.5	2 472.5	610.0	500.0	380	307	584.5	2xM63x1.5	1 727
K4-LG315ZL	2 347.5	2 612.5	610.0	500.0	380	307	584.5	2xM63x1.5	1 927

④ DIN 332

① DIN EN ISO 4014

⑤ Feather key / keyway DIN 6885

⑦ For note, see page 4/218

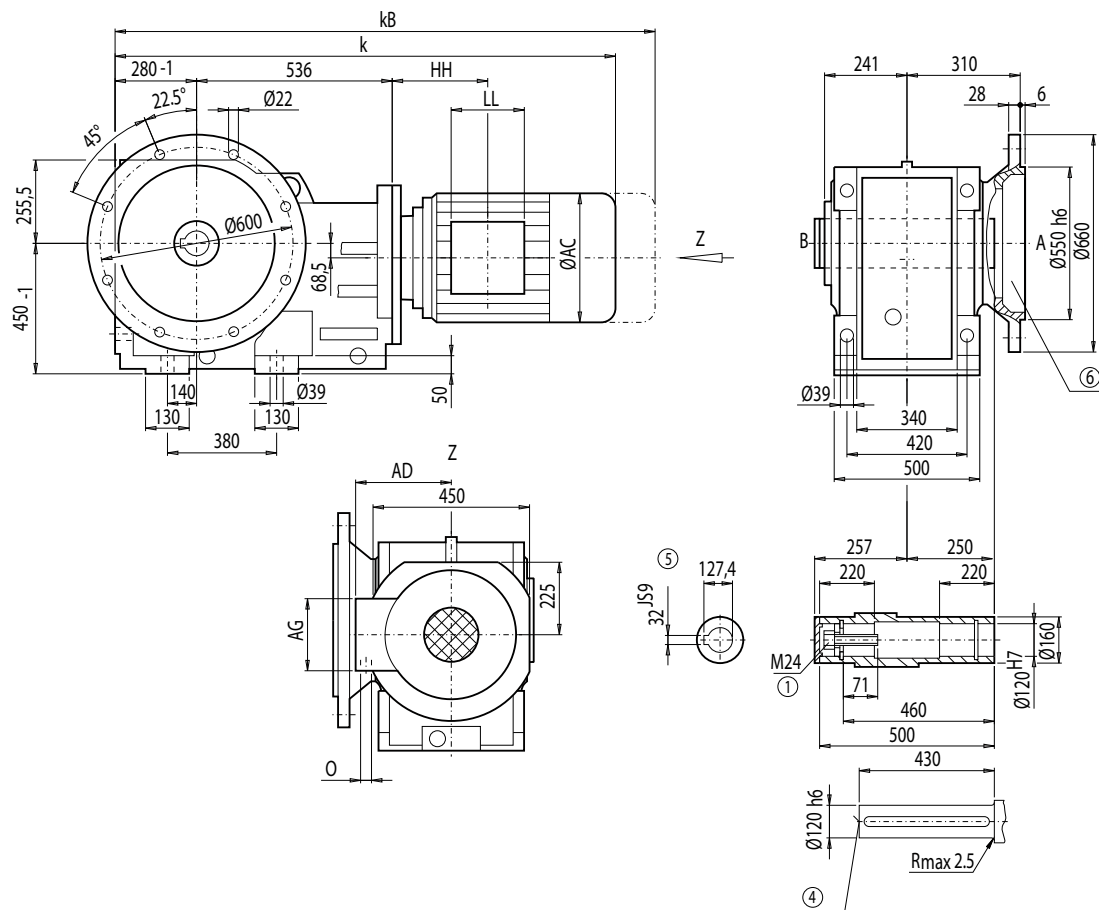
MOTOX Geared Motors

Bevel helical geared motors

Dimensions

Gearbox KAF188 (3-stage), flange-mounted design

KAF012



Motor	KAF188								Weight
	k	kB	AC	AD	AG	LL	HH	O	KAF188
LA132S/M	1 200.0	1 302.0	259.0	195.0	140	140	122.5	2xM32x1.5	706
LA132ZM	1 246.0	1 348.0	259.0	195.0	140	140	230.5	2xM32x1.5	727
LA160M/L	1 300.0	1 418.5	313.5	227.0	165	165	145.5	2xM40x1.5	740
LA160ZL	1 348.0	1 466.5	313.5	227.0	165	165	298.5	2xM40x1.5	779
LG180M/L	1 359.5	1 481.5	348.0	322.5	260	192	162.5	2xM40x1.5	835
LG180ZM/ZL	1 410.5	1 532.5	348.0	322.5	260	192	162.5	2xM40x1.5	865
LG200L	1 415.5	1 541.5	385.0	301.0	260	192	192.5	2xM50x1.5	915
LG225S	1 486.5	1 725.5	442.0	325.0	260	192	228.5	2xM50x1.5	987
LG225M	1 486.5	1 725.5	442.0	325.0	260	192	228.5	2xM50x1.5	975
LG225ZM	1 546.5	1 785.5	442.0	325.0	260	192	228.5	2xM50x1.5	1 033
LG250M	1 580.0	1 805.0	495.0	392.0	300	236	264.0	2xM63x1.5	1 077
LG250ZM	1 650.0	1 875.5	495.0	392.0	300	236	264.0	2xM63x1.5	1 180
K4-LG280S	1 859.5	2 086.5	555.0	432.0	300	236	475.5	2xM63x1.5	1 206
K4-LG280M	1 859.5	2 086.5	555.0	432.0	300	236	475.5	2xM63x1.5	1 312
K4-LG280ZM	1 969.5	2 196.5	555.0	432.0	300	236	475.5	2xM63x1.5	1 400
K4-LG315S/M	2 047.5	2 312.5	610.0	500.0	380	307	584.5	2xM63x1.5	1 441
K4-LG315ZM	2 207.5	2 472.5	610.0	500.0	380	307	584.5	2xM63x1.5	1 596
K4-LG315L	2 207.5	2 472.5	610.0	500.0	380	307	584.5	2xM63x1.5	1 736
K4-LG315ZL	2 347.5	2 612.5	610.0	500.0	380	307	584.5	2xM63x1.5	1 936

④ DIN 332

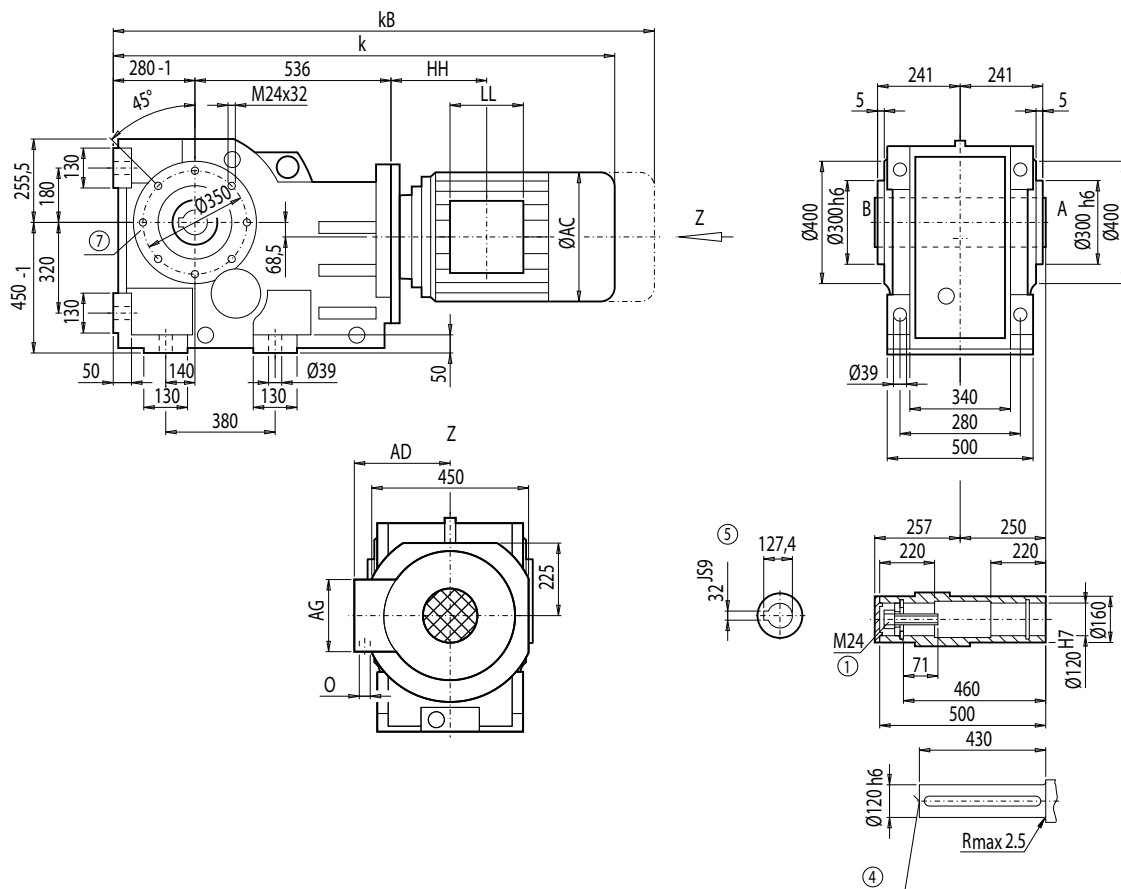
① DIN EN ISO 4014

⑤ Feather key / keyway DIN 6885

⑥ For note, see page 4/217

Gearbox KAZ188 (3-stage), shaft-mounted design with housing flange (C-type)

KAZ012



4

Motor	KAZ188								Weight KAZ188
	k	k _B	AC	AD	AG	LL	HH	O	
LA132S/M	1 200.0	1 302.0	259.0	195.0	140	140	122.5	2xM32x1.5	674
LA132ZM	1 246.0	1 348.0	259.0	195.0	140	140	230.5	2xM32x1.5	695
LA160M/L	1 300.0	1 418.5	313.5	227.0	165	165	145.5	2xM40x1.5	707
LA160ZL	1 348.0	1 466.5	313.5	227.0	165	165	298.5	2xM40x1.5	746
LG180M/L	1 359.5	1 481.5	348.0	322.5	260	192	162.5	2xM40x1.5	803
LG180ZM/ZL	1 410.5	1 532.5	348.0	322.5	260	192	162.5	2xM40x1.5	833
LG200L	1 415.5	1 541.5	385.0	301.0	260	192	192.5	2xM50x1.5	883
LG225S	1 486.5	1 725.5	442.0	325.0	260	192	228.5	2xM50x1.5	954
LG225M	1 486.5	1 725.5	442.0	325.0	260	192	228.5	2xM50x1.5	943
LG225ZM	1 546.5	1 785.5	442.0	325.0	260	192	228.5	2xM50x1.5	1 001
LG250M	1 580.0	1 805.0	495.0	392.0	300	236	264.0	2xM63x1.5	1 045
LG250ZM	1 650.0	1 875.5	495.0	392.0	300	236	264.0	2xM63x1.5	1 148
K4-LG280S	1 859.5	2 086.5	555.0	432.0	300	236	475.5	2xM63x1.5	1 174
K4-LG280M	1 859.5	2 086.5	555.0	432.0	300	236	475.5	2xM63x1.5	1 280
K4-LG280ZM	1 969.5	2 196.5	555.0	432.0	300	236	475.5	2xM63x1.5	1 368
K4-LG315S/M	2 047.5	2 312.5	610.0	500.0	380	307	584.5	2xM63x1.5	1 409
K4-LG315ZM	2 207.5	2 472.5	610.0	500.0	380	307	584.5	2xM63x1.5	1 564
K4-LG315L	2 207.5	2 472.5	610.0	500.0	380	307	584.5	2xM63x1.5	1 704
K4-LG315ZL	2 347.5	2 612.5	610.0	500.0	380	307	584.5	2xM63x1.5	1 904

④ DIN 332

① DIN EN ISO 4014

⑤ Feather key / keyway DIN 6885

⑦ For note, see page 4/218

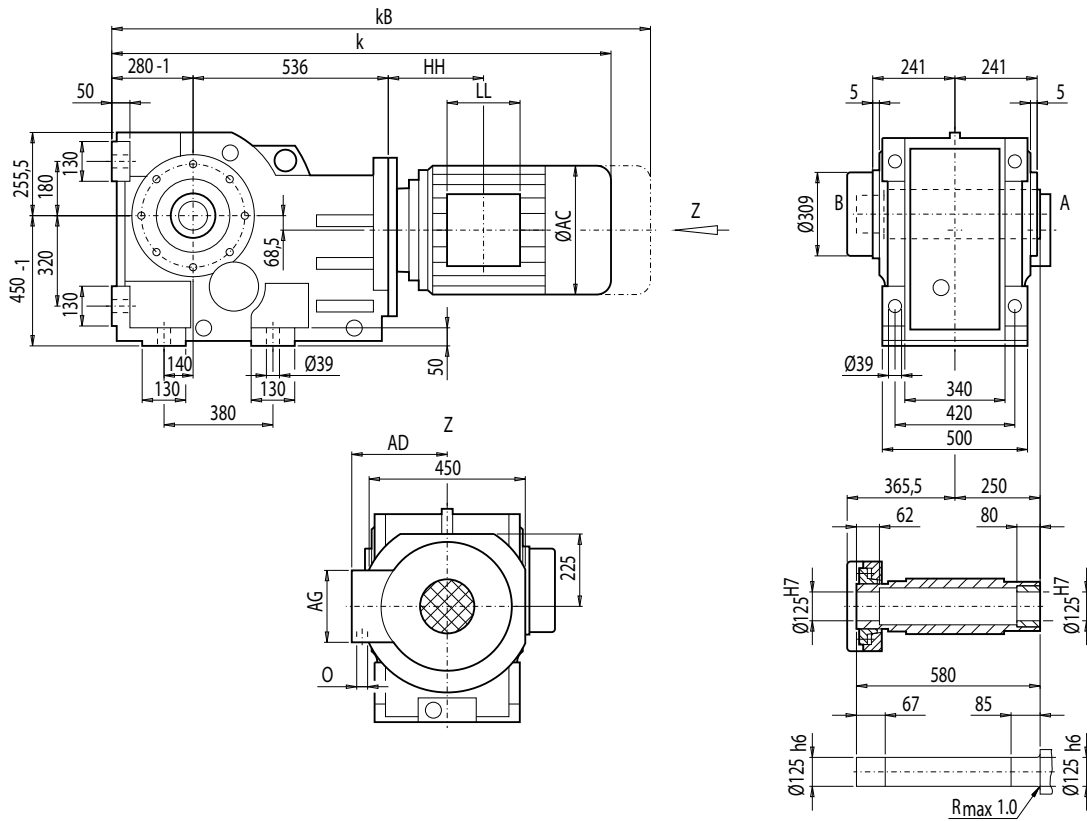
MOTOX Geared Motors

Bevel helical geared motors

Dimensions

Gearbox KAS188 (3-stage), shaft-mounted design with shrink disk

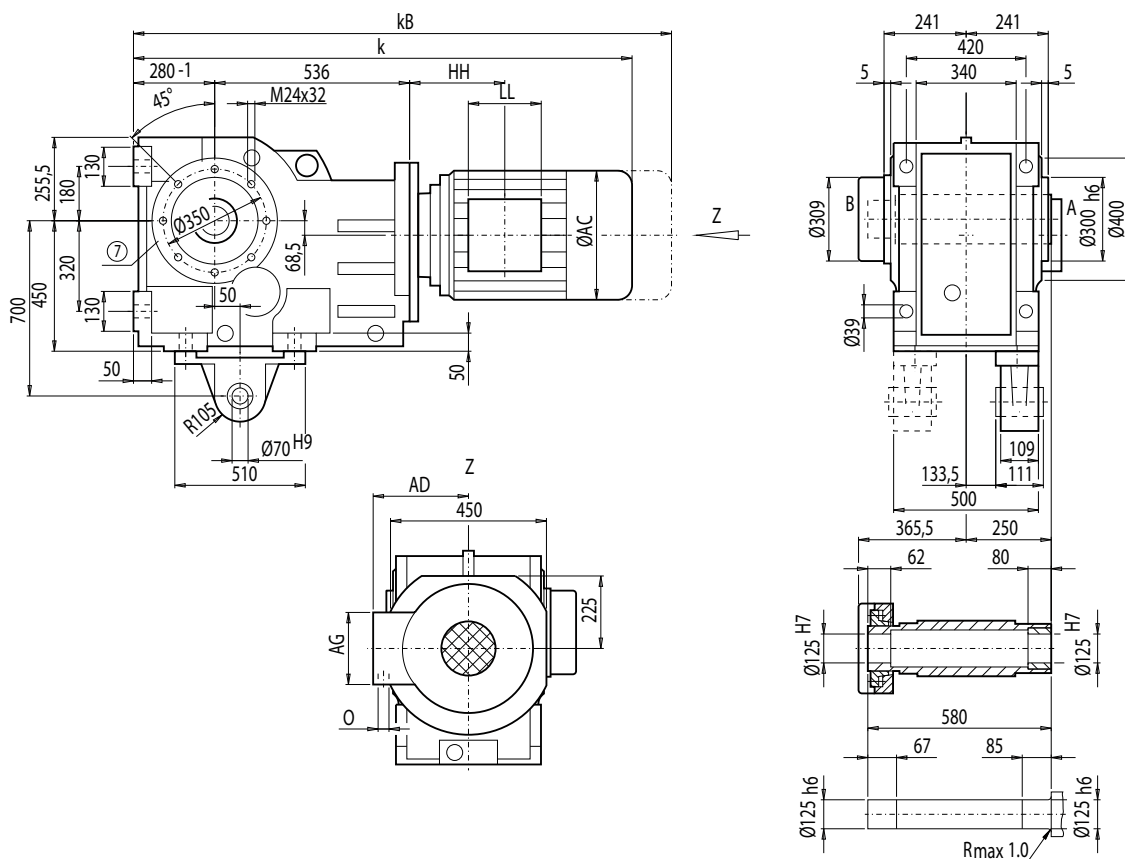
KAS012



Motor	KAS188								Weight KAS188
	k	kB	AC	AD	AG	LL	HH	O	
LA132S/M	1 200.0	1 302.0	259.0	195.0	140	140	122.5	2xM32x1.5	684
LA132ZM	1 246.0	1 348.0	259.0	195.0	140	140	230.5	2xM32x1.5	705
LA160M/L	1 300.0	1 418.5	313.5	227.0	165	165	145.5	2xM40x1.5	718
LA160ZL	1 348.0	1 466.5	313.5	227.0	165	165	298.5	2xM40x1.5	757
LG180M/L	1 359.5	1 481.5	348.0	322.5	260	192	162.5	2xM40x1.5	813
LG180ZM/ZL	1 410.5	1 532.5	348.0	322.5	260	192	162.5	2xM40x1.5	843
LG200L	1 415.5	1 541.5	385.0	301.0	260	192	192.5	2xM50x1.5	893
LG225S	1 486.5	1 725.5	442.0	325.0	260	192	228.5	2xM50x1.5	965
LG225M	1 486.5	1 725.5	442.0	325.0	260	192	228.5	2xM50x1.5	953
LG225ZM	1 546.5	1 785.5	442.0	325.0	260	192	228.5	2xM50x1.5	1 011
LG250M	1 580.0	1 805.0	495.0	392.0	300	236	264.0	2xM63x1.5	1 055
LG250ZM	1 650.0	1 875.5	495.0	392.0	300	236	264.0	2xM63x1.5	1 158
K4-LG280S	1 859.5	2 086.5	555.0	432.0	300	236	475.5	2xM63x1.5	1 184
K4-LG280M	1 859.5	2 086.5	555.0	432.0	300	236	475.5	2xM63x1.5	1 290
K4-LG280ZM	1 969.5	2 196.5	555.0	432.0	300	236	475.5	2xM63x1.5	1 378
K4-LG315S/M	2 047.5	2 312.5	610.0	500.0	380	307	584.5	2xM63x1.5	1 419
K4-LG315ZM	2 207.5	2 472.5	610.0	500.0	380	307	584.5	2xM63x1.5	1 574
K4-LG315L	2 207.5	2 472.5	610.0	500.0	380	307	584.5	2xM63x1.5	1 714
K4-LG315ZL	2 347.5	2 612.5	610.0	500.0	380	307	584.5	2xM63x1.5	1 914

Gearbox KADS188 (3-stage), shaft-mounted design with torque arm and shrink disk

KADS012



4

Motor	KADS188								Weight
	k	kB	AC	AD	AG	LL	HH	O	KADS188
LA132S/M	1 200.0	1 302.0	259.0	195.0	140	140	122.5	2xM32x1.5	708
LA132ZM	1 246.0	1 348.0	259.0	195.0	140	140	230.5	2xM32x1.5	729
LA160M/L	1 300.0	1 418.5	313.5	227.0	165	165	145.5	2xM40x1.5	741
LA160ZL	1 348.0	1 466.5	313.5	227.0	165	165	298.5	2xM40x1.5	780
LG180M/L	1 359.5	1 481.5	348.0	322.5	260	192	162.5	2xM40x1.5	837
LG180ZM/ZL	1 410.5	1 532.5	348.0	322.5	260	192	162.5	2xM40x1.5	867
LG200L	1 415.5	1 541.5	385.0	301.0	260	192	192.5	2xM50x1.5	917
LG225S	1 486.5	1 725.5	442.0	325.0	260	192	228.5	2xM50x1.5	989
LG225M	1 486.5	1 725.5	442.0	325.0	260	192	228.5	2xM50x1.5	977
LG225ZM	1 546.5	1 785.5	442.0	325.0	260	192	228.5	2xM50x1.5	1 035
LG250M	1 580.0	1 805.0	495.0	392.0	300	236	264.0	2xM63x1.5	1 079
LG250ZM	1 650.0	1 875.5	495.0	392.0	300	236	264.0	2xM63x1.5	1 182
K4-LG280S	1 859.5	2 086.5	555.0	432.0	300	236	475.5	2xM63x1.5	1 208
K4-LG280M	1 859.5	2 086.5	555.0	432.0	300	236	475.5	2xM63x1.5	1 314
K4-LG280ZM	1 969.5	2 196.5	555.0	432.0	300	236	475.5	2xM63x1.5	1 402
K4-LG315S/M	2 047.5	2 312.5	610.0	500.0	380	307	584.5	2xM63x1.5	1 443
K4-LG315ZM	2 207.5	2 472.5	610.0	500.0	380	307	584.5	2xM63x1.5	1 598
K4-LG315L	2 207.5	2 472.5	610.0	500.0	380	307	584.5	2xM63x1.5	1 738
K4-LG315ZL	2 347.5	2 612.5	610.0	500.0	380	307	584.5	2xM63x1.5	1 938

⊙ For note, see page 4/218

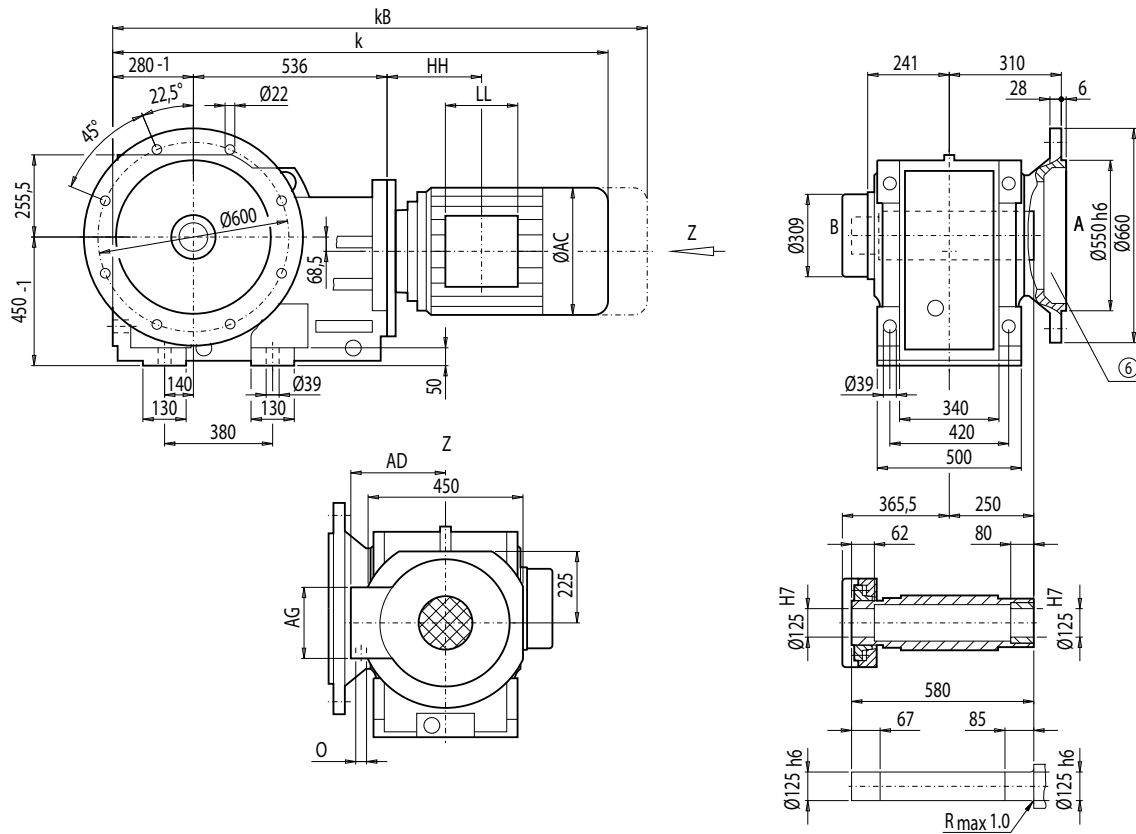
MOTOX Geared Motors

Bevel helical geared motors

Dimensions

Gearbox KAFS188 (3-stage), flange-mounted design and shrink disk

KAFS012

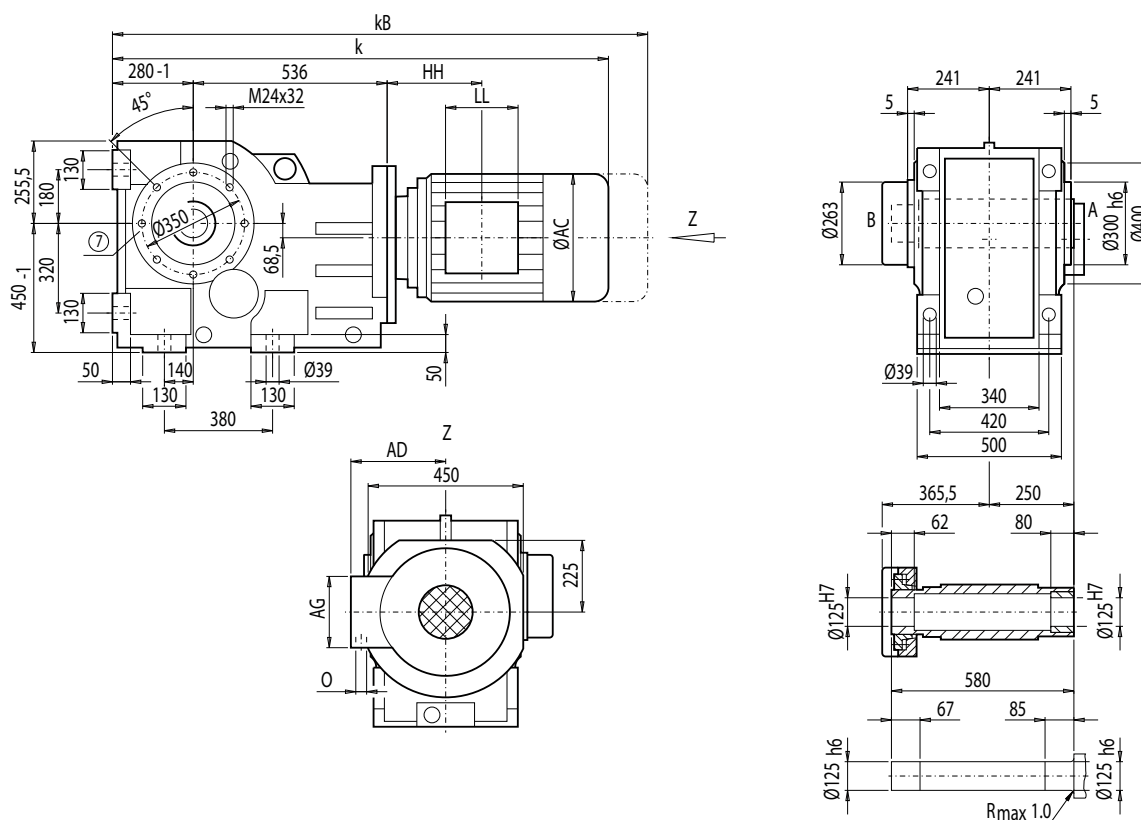


Motor	KAFS188								Weight KAFS188
	k	kB	AC	AD	AG	LL	HH	O	
LA132S/M	1 200.0	1 302.0	259.0	195.0	140	140	122.5	2xM32x1.5	716
LA132ZM	1 246.0	1 348.0	259.0	195.0	140	140	230.5	2xM32x1.5	737
LA160M/L	1 300.0	1 418.5	313.5	227.0	165	165	145.5	2xM40x1.5	750
LA160ZL	1 348.0	1 466.5	313.5	227.0	165	165	298.5	2xM40x1.5	789
LG180M/L	1 359.5	1 481.5	348.0	322.5	260	192	162.5	2xM40x1.5	845
LG180ZM/ZL	1 410.5	1 532.5	348.0	322.5	260	192	162.5	2xM40x1.5	875
LG200L	1 415.5	1 541.5	385.0	301.0	260	192	192.5	2xM50x1.5	925
LG225S	1 486.5	1 725.5	442.0	325.0	260	192	228.5	2xM50x1.5	997
LG225M	1 486.5	1 725.5	442.0	325.0	260	192	228.5	2xM50x1.5	985
LG225ZM	1 546.5	1 785.5	442.0	325.0	260	192	228.5	2xM50x1.5	1 043
LG250M	1 580.0	1 805.0	495.0	392.0	300	236	264.0	2xM63x1.5	1 087
LG250ZM	1 650.0	1 875.5	495.0	392.0	300	236	264.0	2xM63x1.5	1 190
K4-LG280S	1 859.5	2 086.5	555.0	432.0	300	236	475.5	2xM63x1.5	1 216
K4-LG280M	1 859.5	2 086.5	555.0	432.0	300	236	475.5	2xM63x1.5	1 322
K4-LG280ZM	1 969.5	2 196.5	555.0	432.0	300	236	475.5	2xM63x1.5	1 410
K4-LG315S/M	2 047.5	2 312.5	610.0	500.0	380	307	584.5	2xM63x1.5	1 451
K4-LG315ZM	2 207.5	2 472.5	610.0	500.0	380	307	584.5	2xM63x1.5	1 606
K4-LG315L	2 207.5	2 472.5	610.0	500.0	380	307	584.5	2xM63x1.5	1 746
K4-LG315ZL	2 347.5	2 612.5	610.0	500.0	380	307	584.5	2xM63x1.5	1 946

© For note, see page 4/217

Gearbox KAZS188 (3-stage), shaft-mounted design with housing flange (C-type) and shrink disk

KAZS012



4

KAZS188									Weight
Motor	k	kB	AC	AD	AG	LL	HH	O	KAZS188
LA132S/M	1 200.0	1 302.0	259.0	195.0	140	140	122.5	2xM32x1.5	684
LA132ZM	1 246.0	1 348.0	259.0	195.0	140	140	230.5	2xM32x1.5	705
LA160M/L	1 300.0	1 418.5	313.5	227.0	165	165	145.5	2xM40x1.5	718
LA160ZL	1 348.0	1 466.5	313.5	227.0	165	165	298.5	2xM40x1.5	757
LG180M/L	1 359.5	1 481.5	348.0	322.5	260	192	162.5	2xM40x1.5	813
LG180ZM/ZL	1 410.5	1 532.5	348.0	322.5	260	192	162.5	2xM40x1.5	843
LG200L	1 415.5	1 541.5	385.0	301.0	260	192	192.5	2xM50x1.5	893
LG225S	1 486.5	1 725.5	442.0	325.0	260	192	228.5	2xM50x1.5	965
LG225M	1 486.5	1 725.5	442.0	325.0	260	192	228.5	2xM50x1.5	953
LG225ZM	1 546.5	1 785.5	442.0	325.0	260	192	228.5	2xM50x1.5	1 011
LG250M	1 580.0	1 805.0	495.0	392.0	300	236	264.0	2xM63x1.5	1 055
LG250ZM	1 650.0	1 875.5	495.0	392.0	300	236	264.0	2xM63x1.5	1 158
K4-LG280S	1 859.5	2 086.5	555.0	432.0	300	236	475.5	2xM63x1.5	1 184
K4-LG280M	1 859.5	2 086.5	555.0	432.0	300	236	475.5	2xM63x1.5	1 290
K4-LG280ZM	1 969.5	2 196.5	555.0	432.0	300	236	475.5	2xM63x1.5	1 378
K4-LG315S/M	2 047.5	2 312.5	610.0	500.0	380	307	584.5	2xM63x1.5	1 419
K4-LG315ZM	2 207.5	2 472.5	610.0	500.0	380	307	584.5	2xM63x1.5	1 574
K4-LG315L	2 207.5	2 472.5	610.0	500.0	380	307	584.5	2xM63x1.5	1 714
K4-LG315ZL	2 347.5	2 612.5	610.0	500.0	380	307	584.5	2xM63x1.5	1 914

MOTOX Geared Motors

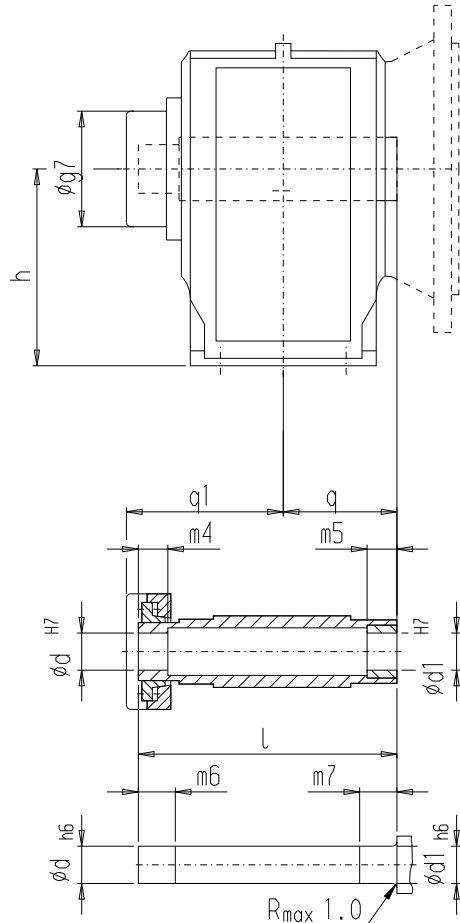
Bevel helical geared motors

Dimensions

Offset hollow shafts with shrink disk

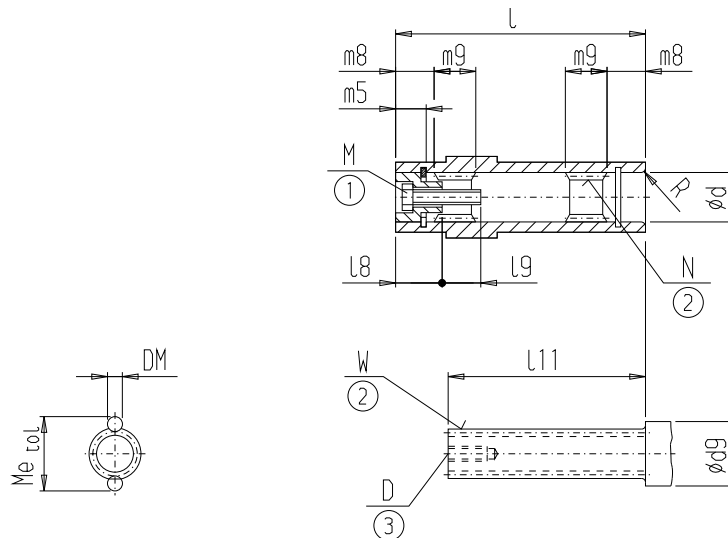
Optional hollow shafts for bevel helical gearboxes with shrink disk

KAS



Gearbox	d	d1	l	m4	m5	m6	m7	q1	q	g7	h
KAS/KAFS38	30	31	146	22	20	27	25	94	60	77	100
KAS/KAFS48	40	41	177	25	20	30	25	109	75	93	112
KAS/KAFS68	40	42	209	35	20	37	25	126	90	112	140
	50	51	209	27	20	32	25	126	90	112	140
KAS/KAFS88	50	52	241	29	30	34	35	144	105	132	180
	60	61	241	29	30	34	35	144	105	132	180
KAS/KAFS108	65	66	280	30	40	35	45	168	120	144	212
	70	71	280	30	40	35	45	168	120	144	212
KAS/KAFS128	75	76	345	44	50	49	55	207	150	180	265
	80	81	345	40	50	45	55	207	150	180	265
KAS/KAFS148	95	96	404	49	60	54	65	243	175	210	315
KAS/KAFS168	105	106	483	54	70	59	75	291	205	237	375
KAS/KAFS188	125	126	580	62	80	67	85	342	250	263	450

Shaft-mounted design with splined shaft in acc. with DIN 5480



4

Gearbox	d	l	d9 min.	l11	W	D	R	m8	m9
BA.T38	30	140	45	115	W30x1.25x30x22 8f	M10	R3	20.0	30
KA.T38	35	120	45	95	W35x1.25x30x26 8f	M10	R2	17.0	27
KA.T48	40	150	52	120	W40x2x30x18 8f	M12	R3	22.0	34
KA.T68	55	180	65	142	W50x2x30x24 8f	M16	R2	21.0	40
KA.T88	65	210	80	172	W60x2x30x28 8f	M16	R2	22.5	49
KA.T108	72	240	85	201	W70x2x30x34 8f	M20	R2	22.5	56
KA.T128	90	300	105	257	W80x3x30x25 8f	M20	R2	24.0	71
KA.T148	90	350	110	306	W90x3x30x28 8f	M20	R3	25.0	88
KA.T168	110	410	130	350	W110x3x30x35 8f	M24	R3	32.0	99
KA.T188	135	500	145	445	W130x5x30x24 8f	M24	R4	42.0	120

Gearbox	N	m5	l8	l9	M	DM	Me	tol
BA.T38	N30x1.25x30x22 9H	12.0	18	27.0	M10x35	2.75	33.015	-0.056
KA.T38	N35x1.25x30x26 9H	12.0	18	27.0	M10x35	2.50	37.423	-0.041
KA.T48	N40x2x30x18 9H	14.0	20	37.0	M12x45	4.50	45.083	-0.043
KA.T68	N50x2x30x24 9H	16.0	23	49.5	M16x55	4.00	54.156	-0.049
KA.T88	N60x2x30x28 9H	16.5	26	46.5	M16x55	4.00	63.918	-0.053
KA.T108	N70x2x30x34 9H	16.5	28	51.0	M20x60	4.00	74.181	-0.057
KA.T128	N80x3x30x25 9H	17.0	31	46.0	M20x60	6.00	85.856	-0.053
KA.T148	N90x3x30x28 9H	17.0	31	51.0	M20x60	6.00	95.911	-0.053
KA.T168	N110x3x30x35 9H	20.0	41	65.5	M24x80	6.00	115.998	-0.061
KA.T188	N130x5x30x24 9H	20.0	50	35.5	M24x60	10.00	139.848	-0.061

① DIN 912

② DIN 5480

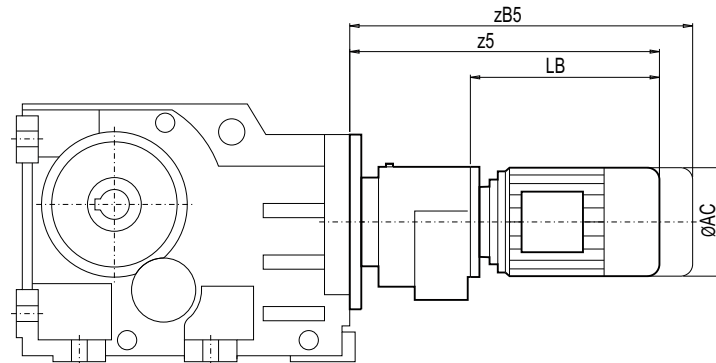
③ DIN 332-D

MOTOX Geared Motors

Bevel helical geared motors

Dimensions

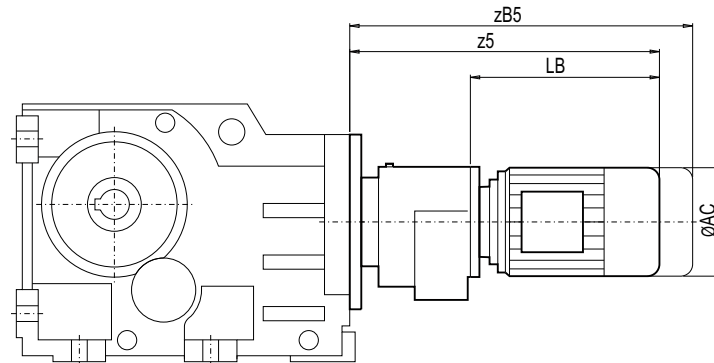
Bevel helical tandem gearbox



Gearbox	Motor	AC	z5	zB5	LB
K.38-Z28	LA71	139.0	363.0	418.0	202.5
	LA71Z	139.0	382.0	437.0	221.5
	LA80	156.5	465.0	528.5	304.5
	LA80Z	156.5	487.5	551.0	327.0
	LA90S/L	174.0	460.0	531.0	299.5
	LA90ZL	174.0	505.0	576.0	344.5
	LA100L	195.0	542.0	623.0	381.5
	LA100ZL	195.0	612.0	693.0	451.5
K.38-D28	LA71	139.0	363.0	418.0	202.5
	LA71Z	139.0	382.0	437.0	221.5
	LA80	156.5	465.0	528.5	304.5
	LA80Z	156.5	487.5	551.0	327.0
	LA90S/L	174.0	460.0	531.0	299.5
	LA90ZL	174.0	505.0	576.0	344.5
	LA100ZL	195.0	612.0	693.0	451.5
K.48-Z28	LA71	139.0	363.0	418.0	202.5
	LA71Z	139.0	382.0	437.0	221.5
	LA80	156.5	465.0	528.5	304.5
	LA80Z	156.5	487.5	551.0	327.0
	LA90S/L	174.0	460.0	531.0	299.5
	LA90ZL	174.0	505.0	576.0	344.5
	LA100L	195.0	542.0	623.0	381.5
	LA100ZL	195.0	612.0	693.0	451.5
K.48-D28	LA71	139.0	363.0	418.0	202.5
	LA71Z	139.0	382.0	437.0	221.5
	LA80	156.5	465.0	528.5	304.5
	LA80Z	156.5	487.5	551.0	327.0
	LA90S/L	174.0	460.0	531.0	299.5
	LA90ZL	174.0	505.0	576.0	344.5
	LA100ZL	195.0	612.0	693.0	451.5
K.68-Z28	LA71	139.0	357.5	412.5	202.5
	LA71Z	139.0	376.5	431.5	221.5
	LA80	156.5	459.5	523.0	304.5
	LA80Z	156.5	482.0	545.5	327.0
	LA90S/L	174.0	454.5	525.5	299.5
	LA90ZL	174.0	499.5	570.5	344.5
	LA100L	195.0	536.5	617.5	381.5
	LA100ZL	195.0	606.5	687.5	451.5

Gearbox	Motor	AC	z5	zB5	LB
K.68-D28	LA71	139.0	357.5	412.5	202.5
	LA71Z	139.0	376.5	431.5	221.5
	LA80	156.5	459.5	523.0	304.5
	LA80Z	156.5	482.0	545.5	327.0
	LA90S/L	174.0	454.5	525.5	299.5
	LA90ZL	174.0	499.5	570.5	344.5
	LA100L	195.0	530.5	611.5	381.5
	LA100ZL	195.0	600.5	681.5	451.5
K.88-Z28	LA71	139.0	351.5	406.5	202.5
	LA71Z	139.0	370.5	425.5	221.5
	LA80	156.5	453.5	517.0	304.5
	LA80Z	156.5	476.0	539.5	327.0
	LA90S/L	174.0	448.5	519.5	299.5
	LA90ZL	174.0	493.5	564.5	344.5
	LA100ZL	195.0	600.5	681.5	451.5
K.88-D28	LA71	139.0	351.5	406.5	202.5
	LA71Z	139.0	370.5	425.5	221.5
	LA80	156.5	453.5	517.0	304.5
	LA80Z	156.5	476.0	539.5	327.0
	LA90S/L	174.0	448.5	519.5	299.5
	LA90ZL	174.0	493.5	564.5	344.5
	LA100ZL	195.0	600.5	681.5	451.5
K.108-Z38	LA71	139.0	465.5	520.5	258.5
	LA71Z	139.0	484.5	539.5	277.5
	LA80	156.5	502.5	566.0	295.5
	LA80Z	156.5	525.0	588.5	318.0
	LA90S	174.0	533.5	604.5	326.5
	LA90L	174.0	533.5	604.5	326.5
	LA90ZL	174.0	578.5	649.5	371.5
	LA100L	195.0	579.5	660.5	372.5
K.108-D38	LA71	139.0	480.5	535.5	273.5
	LA71Z	139.0	499.5	554.5	292.5
	LA80	156.5	517.5	581.0	310.5
	LA80Z	156.5	540.0	603.5	333.0
	LA90S/L	174.0	548.5	619.5	341.5
	LA90ZL	174.0	593.5	664.5	386.5
	LA100ZL	195.0	649.5	730.5	442.5
	LA112M	219.0	609.0	690.0	402.0
LA112ZM	219.0	637.0	718.0	430.0	

Bevel helical tandem gearbox (continued)



Gearbox	Motor	AC	z5	zB5	LB	
K.108-Z48	LA71	139.0	544.5	599.5	253.0	
	LA71Z	139.0	563.5	618.5	272.0	
	LA80	156.5	581.5	645.0	290.0	
	LA80Z	156.5	604.0	667.5	312.5	
	LA90S/L	174.0	612.5	683.5	321.0	
	LA90ZL	174.0	657.5	728.5	366.0	
	LA100L	195.0	658.5	739.5	367.0	
	LA100ZL	195.0	728.5	809.5	437.0	
	LA112M	219.0	687.5	768.5	396.0	
	LA112ZM	219.0	715.5	796.5	424.0	
	LA132S/M	259.0	749.5	851.5	458.0	
	LA132ZM	259.0	795.5	897.5	504.0	
	K.128-Z38	LA71	139.0	458.5	513.5	258.5
LA71Z		139.0	477.5	532.5	277.5	
LA80		156.5	495.5	559.0	295.5	
LA80Z		156.5	518.0	581.5	318.0	
LA90S/L		174.0	526.5	597.5	326.5	
LA90ZL		174.0	571.5	642.5	371.5	
LA100L		195.0	572.5	653.5	372.5	
LA100ZL		195.0	642.5	723.5	442.5	
LA112M		219.0	602.0	683.0	402.0	
LA112ZM		219.0	630.0	711.0	430.0	
K.128-D38		LA71	139.0	473.5	528.5	273.5
		LA71Z	139.0	492.5	547.5	292.5
		LA80	156.5	510.5	574.0	310.5
	LA80Z	156.5	533.0	596.5	333.0	
	LA90S/L	174.0	541.5	612.5	341.5	
	LA90ZL	174.0	586.5	657.5	386.5	
K.128-Z48	LA71	139.0	532.0	587.0	253.0	
	LA71Z	139.0	551.0	606.0	272.0	
	LA80	156.5	569.0	632.5	290.0	
	LA80Z	156.5	591.5	655.0	312.5	
	LA90S/L	174.0	600.0	671.0	321.0	
	LA90ZL	174.0	645.0	716.0	366.0	
	LA100L	195.0	646.0	727.0	367.0	
	LA100ZL	195.0	716.0	797.0	437.0	

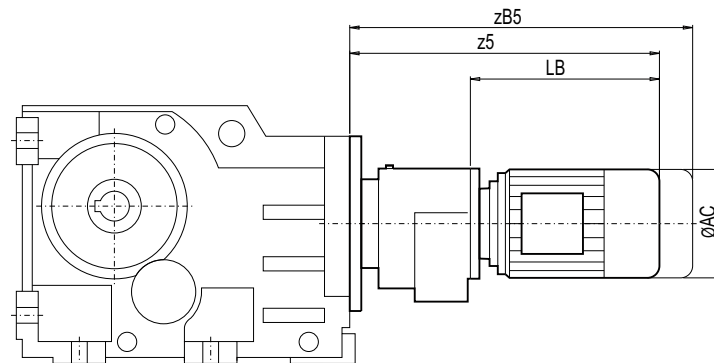
Gearbox	Motor	AC	z5	zB5	LB
K.128-Z48	LA112M	219.0	675.0	756.0	396.0
	LA112ZM	219.0	703.0	784.0	424.0
	LA132S/M	259.0	737.0	839.0	458.0
	LA132ZM	259.0	783.0	885.0	504.0
K.148-Z38	LA71	139.0	454.0	509.0	258.5
	LA71Z	139.0	473.0	528.0	277.5
	LA80	156.5	491.0	554.5	295.5
	LA80Z	156.5	513.5	577.0	318.0
	LA90S/L	174.0	522.0	593.0	326.5
	LA90ZL	174.0	567.0	638.0	371.5
	LA100L	195.0	568.0	649.0	372.5
	LA100ZL	195.0	638.0	719.0	442.5
K.148-D38	LA112M	219.0	597.5	678.5	402.0
	LA112ZM	219.0	625.5	706.5	430.0
	LA71	139.0	469.0	524.0	273.5
	LA71Z	139.0	488.0	543.0	292.5
	LA80	156.5	506.0	569.5	310.5
K.148-Z68	LA80Z	156.5	528.5	592.0	333.0
	LA90S/L	174.0	537.0	608.0	341.5
	LA90ZL	174.0	582.0	653.0	386.5
	LA71	139.0	590.5	645.5	247.0
	LA71Z	139.0	609.5	664.5	266.0
	LA80	156.5	627.5	691.0	284.0
	LA80Z	156.5	650.0	713.5	306.5
	LA90S/L	174.0	658.5	729.5	315.0
	LA90ZL	174.0	703.5	774.5	360.0
	LA100L	195.0	704.5	785.5	361.0
K.148-Z48	LA100ZL	195.0	774.5	855.5	431.0
	LA112M	219.0	731.5	812.5	388.0
	LA112ZM	219.0	759.5	840.5	416.0
	LA132S/M	259.0	791.5	893.5	448.0
	LA132ZM	259.0	837.5	939.5	494.0
	LA160M/L	313.5	894.0	1 012.5	550.5
	LA160ZL	313.5	942.0	1 060.5	598.5

MOTOX Geared Motors

Bevel helical geared motors

Dimensions

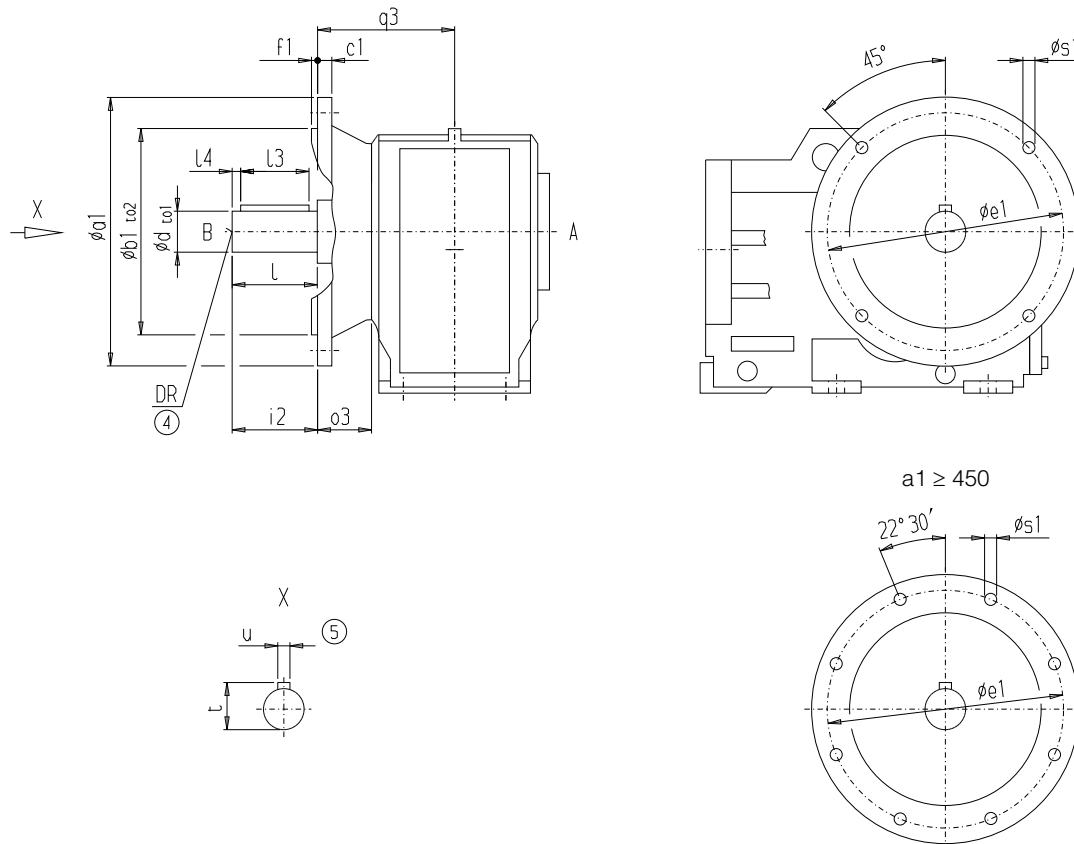
Bevel helical tandem gearbox (continued)



Gearbox	Motor	AC	z5	zB5	LB
K.168-Z48	LA71	139.0	513.5	568.5	253.0
	LA71Z	139.0	532.5	587.5	272.0
	LA80	156.5	550.5	614.0	290.0
	LA80Z	156.5	573.0	636.5	312.5
	LA90S/L	174.0	581.5	652.5	321.0
	LA90ZL	174.0	626.5	697.5	366.0
	LA100L	195.0	627.5	708.5	367.0
	LA100ZL	195.0	697.5	778.5	437.0
	LA112M	219.0	656.5	737.5	396.0
	LA112ZM	219.0	684.5	765.5	424.0
	LA132S/M	259.0	718.5	820.5	458.0
	LA132ZM	259.0	764.5	866.5	504.0
K.168-D48	LA71	139.0	530.5	585.5	270.0
	LA71Z	139.0	549.5	604.5	289.0
	LA80	156.5	567.5	631.0	307.0
	LA80Z	156.5	590.0	653.5	329.5
	LA90S/L	174.0	598.5	669.5	338.0
	LA90ZL	174.0	643.5	714.5	383.0
	LA100L	195.0	644.5	725.5	384.0
	LA100ZL	195.0	714.5	795.5	454.0
K.168-Z68	LA71	139.0	599.5	654.5	247.0
	LA71Z	139.0	618.5	673.5	266.0
	LA80	156.5	636.5	700.0	284.0
	LA80Z	156.5	659.0	722.5	306.5
	LA90S	174.0	667.5	738.5	315.0
	LA90L	174.0	667.5	738.5	315.0
	LA90ZL	174.0	712.5	783.5	360.0
	LA100L	195.0	713.5	794.5	361.0
	LA100ZL	195.0	783.5	864.5	431.0
	LA132S	259.0	800.5	902.5	448.0
	LA132M	259.0	800.5	902.5	448.0
	LA132ZM	259.0	846.5	948.5	494.0
	LA160M	313.5	903.0	1 021.5	550.5
	LA160L	313.5	903.0	1 021.5	550.5
	LA160ZL	313.5	951.0	1 069.5	598.5

Gearbox	Motor	AC	z5	zB5	LB	
K.188-Z68	LA71	139.0	568.5	623.5	247.0	
	LA71Z	139.0	587.5	642.5	266.0	
	LA80	156.5	605.5	669.0	284.0	
	LA80Z	156.5	628.0	691.5	306.5	
	LA90S/L	174.0	636.5	707.5	315.0	
	LA90ZL	174.0	681.5	752.5	360.0	
	LA100L	195.0	682.5	763.5	361.0	
	LA100ZL	195.0	752.5	833.5	431.0	
	LA112M	219.0	709.5	790.5	388.0	
	LA112ZM	219.0	737.5	818.5	416.0	
	LA132S/M	259.0	769.5	871.5	448.0	
	LA132ZM	259.0	815.5	917.5	494.0	
K.188-D68	LA160M/L	313.5	872.0	990.5	550.5	
	LA160ZL	313.5	920.0	1 038.5	598.5	
	K.188-Z88	LA71	139.0	587.0	642.0	265.5
		LA71Z	139.0	606.0	661.0	284.5
		LA80	156.5	624.0	687.5	302.5
		LA80Z	156.5	646.5	710.0	325.0
LA90S/L		174.0	655.0	726.0	333.5	
LA90ZL		174.0	700.0	771.0	378.5	
K.188-Z88	LA100L	195.0	701.0	782.0	379.5	
	LA100ZL	195.0	771.0	852.0	449.5	
	LA90S/L	174.0	776.5	847.5	300.0	
	LA90ZL	174.0	821.5	892.5	345.0	
	LA100L	195.0	820.0	901.0	343.5	
	LA100ZL	195.0	890.0	971.0	413.5	
	LA112M	219.0	846.0	927.0	369.5	
	LA112ZM	219.0	874.0	955.0	397.5	
	LA132S/M	259.0	906.0	1 008.0	429.5	
	LA132ZM	259.0	952.0	1 054.0	475.5	
K.188-Z88	LA160M/L	313.5	1 010.5	1 129.0	534.0	
	LA160ZL	313.5	1 058.5	1 177.0	582.0	
	LG180M/L	348.0	1 070.0	1 192.0	593.5	
	LG180ZM/ZL	348.0	1 121.0	1 243.0	644.5	

Flange design for mixers



4

Gearbox	a1	b1	to2	c1	e1	f1	s1	o3	q3	i2
KM88	300	230	j6	20	265	4	13.5	120	216.5	140
KM108	350	250	h6	20	300	5	17.5	135	246.0	170
KM128	450	350	h6	25	400	5	17.5	165	306.0	170
KM148	450	350	h6	25	400	5	17.5	185	349.0	210
KM168	550	450	h6	28	500	5	17.5	210	404.0	210

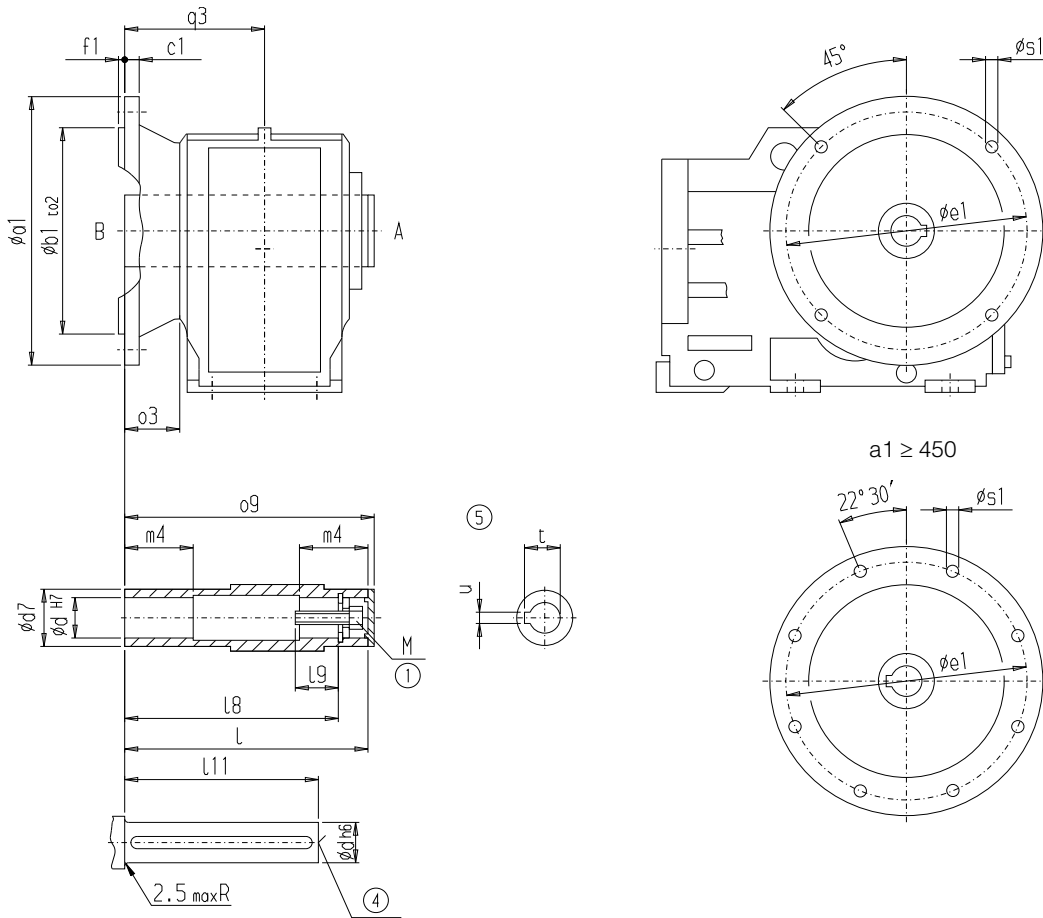
Gearbox	d	to1	l	l3	l4	t	u	DR	Weight
KM88	70	m6	140	110	15	74.5	20	M20x42	84
KM108	80	m6	170	125	20	85.0	22	M20x42	150
KM128	90	m6	170	140	15	95.0	25	M24x50	248
KM148	100	m6	210	180	15	106.0	28	M24x50	357
KM168	120	m6	210	180	15	127.0	32	M24x50	584

MOTOX Geared Motors

Bevel helical geared motors

Dimensions

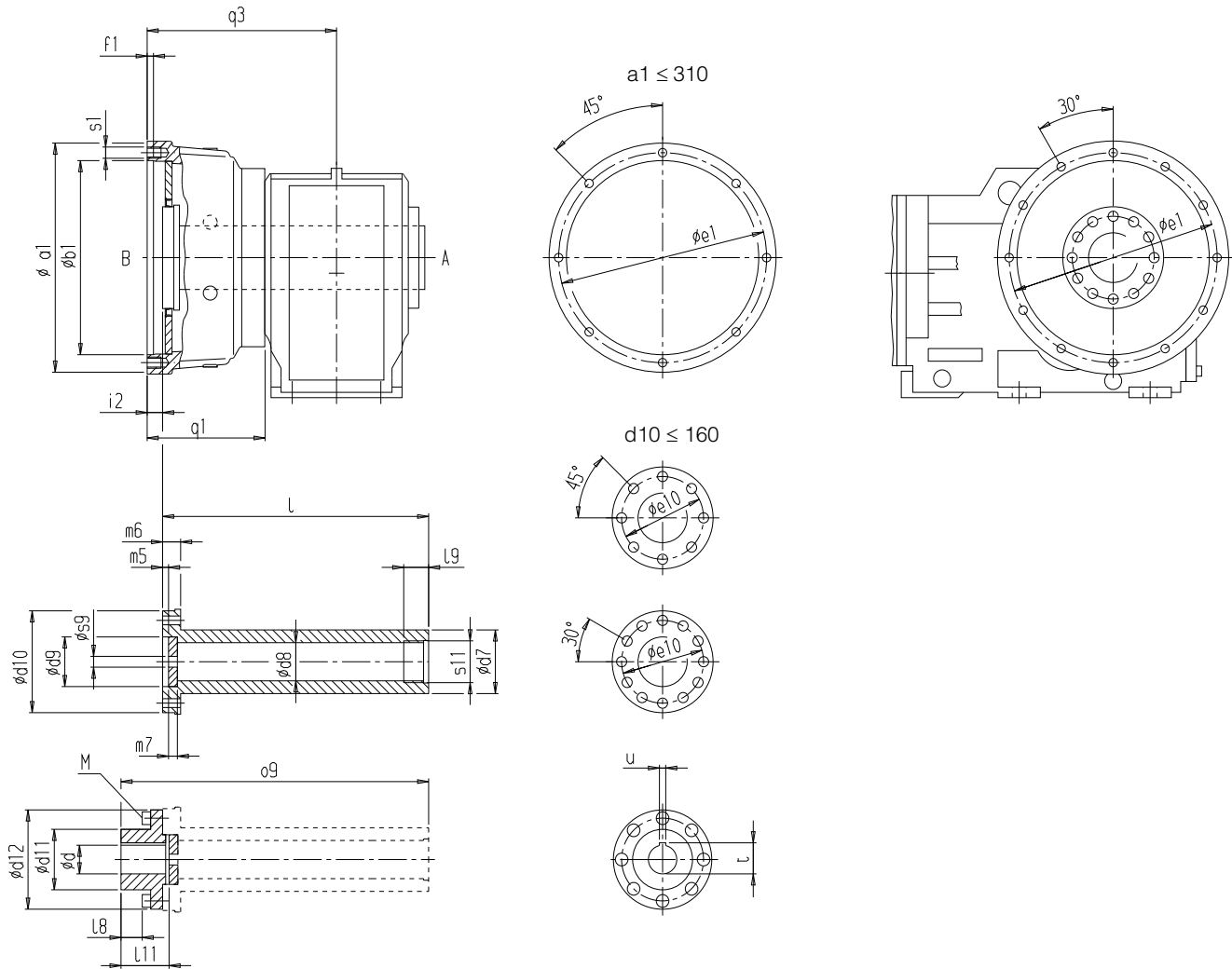
Flange design for mixers



Gearbox	a1	b1	to2	c1	e1	f1	s1	o3	q3	o9
KAM88	300	230	j6	20	265	4	13.5	120	216.5	324.0
KAM108	350	250	h6	20	300	5	17.5	135	246.0	369.5
KAM128	450	350	h6	25	400	5	17.5	165	306.0	458.0
KAM148	450	350	h6	25	400	5	17.5	185	349.0	526.0
KAM168	550	450	h6	28	500	5	17.5	210	404.0	611.0

Gearbox	d	d7	l	m4	l8	l9	l11	t	u	M	Weight
KAM88	60	80	321	78	291	54.0	275	64.4	18	M20	76
KAM108	70	95	366	93	334	63.5	310	74.9	20	M20	137
KAM128	80	110	456	123	419	63.5	395	85.4	22	M20	228
KAM148	90	120	524	148	484	72.0	460	95.4	25	M24	329
KAM168	110	150	609	175	565	73.0	540	116.4	28	M24	539

Flange design for extruder drives



4

Gearbox	a1	b1	e1	f1	s1	q1	i2	q3
KAE68	260	220 +0.046 / 0	236	10	M12x17	147.5	15.0	230.0
KAE88	310	255 +0.052 / 0	280	10	M16x22	171.0	15.5	267.5
KAE108	360	305 +0.052 / 0	330	10	M16x22	188.0	23.0	229.0
KAE128	420	345 +0.057 / 0	380	10	M20x27	206.0	25.0	347.0
KAE148	450	360 +0.057 / 0	400	10	M24x32	225.0	27.0	389.0
KAE168	510	420 +0.063 / 0	460	15	M24x32	262.0	38.0	456.0

MOTOX Geared Motors

Bevel helical geared motors

Dimensions

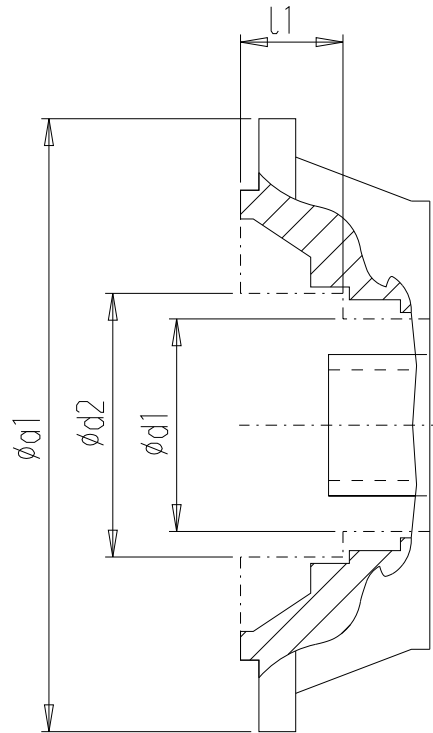
Flange design for extruder drives (continued)

Gearbox	d	l11	d7	d8	l9	s11	o9 l	d10 d12	m6	e10
KAE68	20	48	65	38	30	M42x2	349.0	105	14	88
	25							104		
	30							305.0		
KAE88	30	58	80	49	39	M56x2	410.5	130	23	110
	35							129		
	40							357.0		
KAE108	40	71	95	60	39	M64x2	462.0	160	25	130
	45							156		
	50							396.0		
KAE128	45	87	110	71	49	M80x3	554.0	175	31	150
	50							174		
	60							472.0		
KAE148	60	95	120	88	52	M95x3	626.0	190	33	160
	70							189		
	75							537.0		
KAE168	70	105	150	104	57	M110x3	722.0	230	42	195
	80							229		
	90							623.0		

Gearbox	d	d9	s9	m7	d11	m5	l8	M	t	u	
KAE68	20	48	+0.025 / 0	11	11	65	4.0	20.0	M10x25	22.8	6
	25									28.3	8
	30									33.3	8
KAE88	30	63	+0.030 / 0	17	12	80	4.5	23.5	M12x35	33.3	8
	35									38.3	10
	40									43.3	12
KAE108	40	78	+0.030 / 0	17	14	95	5.0	31.0	M16x40	43.3	12
	45									48.8	14
	50									53.8	14
KAE128	45	88	+0.035 / 0	22	17	110	5.0	42.0	M16x45	48.8	14
	50									53.8	14
	60									64.4	18
KAE148	60	105	+0.035 / 0	22	20	120	6.0	45.0	M16x55	64.4	18
	70									74.9	20
	75									79.9	20
KAE168	70	125	+0.040 / 0	25	22	150	6.0	49.0	M20x55	74.9	20
	80									85.4	22
	90									95.4	25

Inside contour of the flange-mounted design (A-type)

Design notes for the customer's interface, e.g. plug-in shaft for hollow shaft design.



Gearbox	a1	d1	d2	l1
B.F.28	120	70	72	24.0
B.F.28	160	70	103	8.5
B.F.38	160	95	98	27.0
B.F.38	200	84	90	22.5
K.F.38	160	70	77	20.0
K.F.48	200	84	90	22.5
K.F.68	250	96	96	–
K.F.88	300	126	138	31.0
K.F.108	350	176	185	32.0
K.F.128	450	226	234	38.5
K.F.148	450	246	262	34.0
K.F.168	550	296	313	39.0
K.F.188	660	296	296	–

